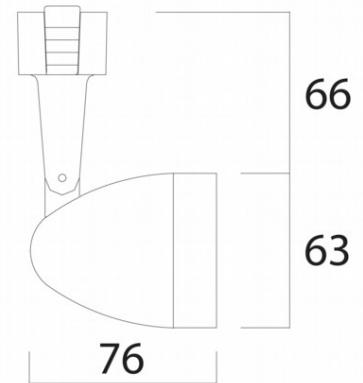


Range Name:	Lumapar
Product Type:	Spotlights
Product Code:	TM4410-BL

Body Colour:	Black
Mounting:	Surface Mounted
Track Adaptor:	Surface - Surface Mounting Plate
Pendant Stem Length(mm):	-
Vertical Mount:	-
Environment:	Interior
Size(mm)	76 x 63 x 129
Cut Out(mm):	-
Recessed Depth(mm):	-
Vertical Tilt(°):	90°
Horizontal Rotation(°):	355°
Light Source:	Multi Source
Lamp Type:	GU10 PAR16
Lamp Included:	No
Lamp Base:	GU10
Lamp Life(Hours):	-
Lumen Output(lm):	-
Colour Temperature(k):	- -
CRI(Ra):	-
Beam Angle(°):	-
Voltage(V):	230VAC
Total System Power(W):	-
Lamp Current(A):	-
Power Factor:	-
Luminaire Efficacy(lm/W):	-
Class:	Class 1
Gear:	-
EAN Code:	5030785033257
Dimmability:	-
Emergency:	-
IP Rating:	IP20
Weight(kg):	0.14kg
Housing Material:	Aluminium
Material Finish:	Powder Coated
Guarantee:	5 Year Guarantee



Images, line drawings and measurements illustrated may, in some cases be approximate and for guidance only. Colour finishes will be maintained as accurately as possible but matching cannot be guaranteed.

Illuma Lighting are continually developing and improving its products. Technical specifications subject to change without prior notice.

For full terms and conditions visit: <https://www.illumina.co.uk/terms.htm>