

Telephone, TV/FM and Satellite Socket Outlets

Standards and approvals

Logic Plus Telephone and TV sockets comply with the following:

Telephone sockets K422 and K427

BS 6312: 2.2, BS 5733: 1995 (where applicable).

K4817: BS 5733: 1979 (where applicable) and FCC68.

TV sockets K3520, K3521 and K3523

BS 3041: Part 2: 1977/IEC 169-2: 1977, BS5733: 1995 (where applicable) and IEC65, Cls 10.1, 10.3.

TV sockets K3525

BS 5733: 1995 (where applicable).



Description

A part of the very wide range of products in the distinctive Logic Plus style to meet the latest technical requirements and the standards applicable to modern technology in the installation of telephone and television equipment. The master and secondary telephone sockets K422 and K427 comply with relevant approvals for direct and indirect connections between a termination point of a public telecommunications system and any piece of approved telecommunications apparatus. For applications requiring twin or dual telephone outlets, refer to 'Modular Data and Telephone Sockets'.

Logic Plus Telephone and TV sockets will fit in plaster depth boxes (except for RJ11).

The F-type Satellite Socket may be used for connection of CATV, MATV and satellite TV installations.

Digital TV outlets are available.

Technical specification

Electrical

Telephone sockets, cable specification:
CW1311, CW1293, CW1308, CW1316

No. of cables per termination: 2

Re-usability:

>9 reterminations (should not be reterminated with smaller diameter wire)

TV sockets:

Cable specification: CT 100 or equivalent

Any standard low-loss TV co-axial cable:

Outside 4-8mm diameter,
inner conductor 0.5-2mm diameter

Insertion loss:

Insertion loss data available on request

'F' Type satellite socket (K3525), cable specification:

Co-axial cable: inner core diameter – 0.5-1.2mm

RJ11 (K4817), Cable specification:

Capable of taking 0.08 to 0.65mm² solid or stranded cable

Physical

Ambient air:

-20°C to +60°C

IP rating:

IP2XD

Max. installation altitude:

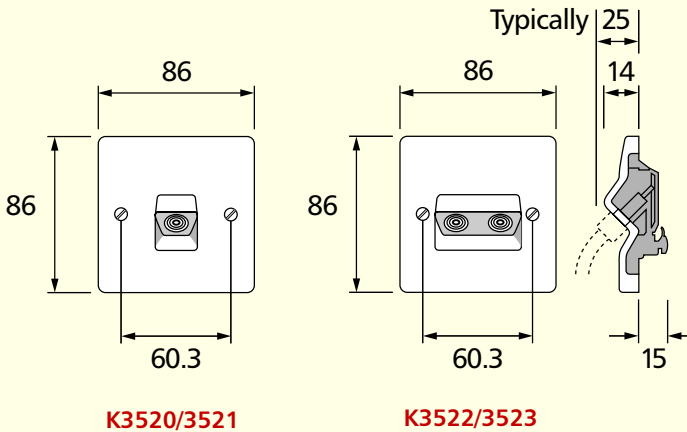
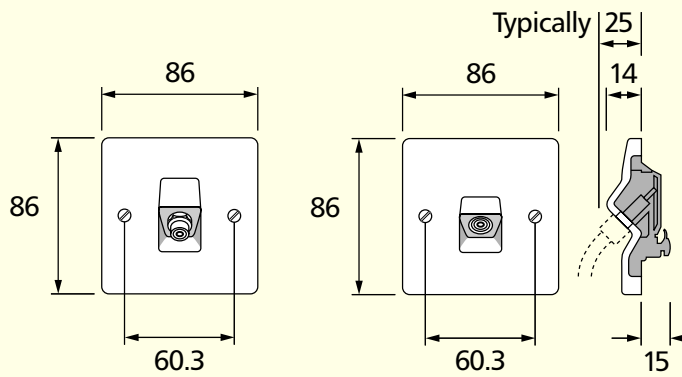
2000 metres

Features

- Single screw termination on TV outlets
- Protected, fully enclosed PCBs
- Meet all relevant BS requirements
- Attractive new easy-clean Logic Plus styling
- Quick, simple and reliable terminal connection
- IDC connectors on telephone outlets
- Part of a complete range of products for telephone, television and data processing requirements
- Angled connector on TV outlets
- Sockets fit in plaster depth boxes (except K4817)

Telephone, TV/FM and Satellite Socket Outlets

Dimensions (mm)


K3520/3521
K3522/3523

K3525
K3520/3521

Sectional drawings show the furthest projections from the back of the frontplate (wall surface), including a typical coaxial connector in the case of TV sockets. All units will fit in 16mm plaster depth boxes except for K4817 (Western Telecom socket).

BOX TYPES		
	Flush	Surface
1 gang	861 ZIC	K2140 WHI

Installation (Telephone sockets)

Product performance, systems compatibility

Master Sockets: for use as the first socket outlet on a direct exchange or PABX line. They contain surge protector (for line protection against electrical surges) and ringing capacitor.

Secondary Sockets: For use as extension sockets when connected on the same line as a Master Socket.

Installation tools required

MK IDC insertion tool List No. 400 or 22630 (not supplied with product).

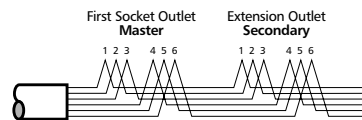
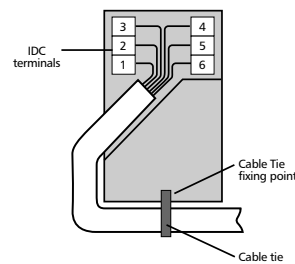
Wiring regulation restrictions

Domestic installations: Any number of MK sockets may be installed thereafter, with a total REN (Ring Equivalent Number) value of all telephone equipment connected on a line not exceeding 4.

BT Wiring Scheme

- 1 GREEN / white
- 2 BLUE / white
- 3 ORANGE / white
- 4 WHITE / orange
- 5 WHITE / blue
- 6 WHITE / green

Note: Main wire colour is shown in capitals



Telephone, TV/FM and Satellite Socket Outlets

Installation (TV sockets)

Product performance, systems compatibility

Isolated Outlets are intended for use where safety isolation (rated at 2000V ac) is required to provide protection against faults occurring within any mains powered product used on different parts of the distribution system. They are not suitable for use in systems where DC signals are passed through the socket, (e.g. where masthead/headend equipment is controlled by receiver/decoder equipment).

Diplexer Outlets are used in distribution systems where both TV and FM band signals are combined on a single aerial download. The filtering in the diplexer separates the appropriate signals and feeds them through to the relevant output connection port.

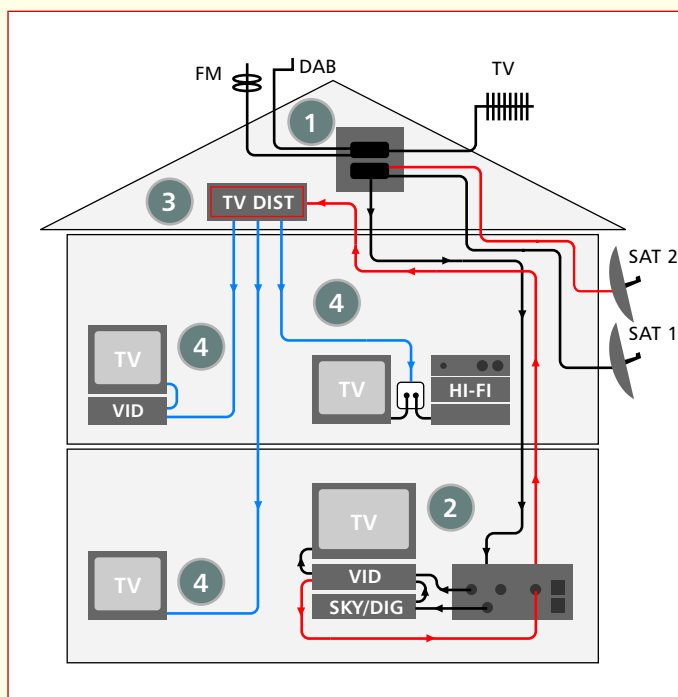
Cable Routing and Use of Cable Clamp

Sharp bends in the cable must be avoided during installation. The single TV/FM socket is fitted with a cable clamp that can be fixed on either side of the termination position to facilitate this.

When tightening the screening braid clamps ensure that the cable is firmly gripped and that the inner insulation is not squashed flat beyond a slight oval shape.

Safety Information

TV outlets or modules must not be installed in the same enclosure as equipment rated in excess of 50V, (e.g. mains rated 13A sockets or switches).



Method of installation of TV and FM aerial connection by using MK co-axial socket outlet and only one download.

Conventional distribution system for TV and FM signals using a single aerial download.

- 1 The signals from the TV and FM aerials and the satellite dish are combined together using two products. The first combines the TV and FM signals and the second adds the Sky signal to the TV/FM signal and provides a DC control path to power the LNB unit on the satellite dish. (These products are not supplied by MK).

The single aerial down lead feeds into the triplexer (black lines in wiring diagram).

- 2 The separated satellite signal is then fed to the decoder. The decoded satellite signal is then fed into the VCR along with the TV signal from the Triplexer. The output signal from the VCR then feeds into the TV and also back to the single outlet and onto the distribution amplifier (black lines in wiring diagram).
- 3 The single cable back-feed then feeds back to the input of a multi way distribution amplifier, (typically located in the loft or garage) (red lines in wiring diagram).
- 4 Each individual output from the distribution amplifier is then fed to the individual rooms in the house to a standard TV (single or diplexer) outlet to which the TV/VCR and/or Hi-Fi can be connected (blue lines in wiring diagram).