

INSTALLATION INSTRUCTIONS

**The Lo Profile
Deco Extractor & Humidity Range
LP / DECO 100, 120, 150**

Switch off mains supply before making any electrical connections.

Installation must be supervised by a qualified electrician.

This appliance can be used by children aged from 8 years and above and persons with reduced physical, sensory and mental capabilities or lack of experience and knowledge if they have been given supervision or instruction concerning the use of the appliance in a safe way and understand the hazards involved.

Children shall not play with the appliance.

Cleaning and user maintenance shall not be made by children without supervision.

Precautions must be taken to avoid the back-flow of gases into the room from the open flue of gas or other open-fire appliances when mounted in outside windows or walls.

Fan must be disconnected from electrical power before any maintenance is carried out.

Location

1. When installing fan through an external wall, an external wall grille must be fitted at all times.
2. For best results this Extractor Fan should be fitted as high on the wall as possible, or if preferred, on the ceiling. Note: Pullcord models should not be installed in a ceiling.
3. Do not install the unit within a shower cubicle or anywhere else where there is a risk of being sprayed with water (Please see our range of showerfans for these installations.).
4. If the fan is installed in a room containing a fuel burning appliance, the installer must ensure that the air replacement is adequate for both the fan and the fuel burning appliance.

Wiring

1. Switch off mains supply before making electrical connections. If in any doubt contact a qualified electrician.
2. These units are for fixed wiring only. A flexible cord must not be used. All wiring must be fixed securely and the cable to the fan should be a minimum of 1mm² in section. All wiring must comply with current I.E.E. Regulations or local regulations if outside the UK.
3. A double pole fused spur having contact separation of at least 3mm in all poles must be used and fitted with a 3A fuse.
4. This fan is double insulated and does not require an earth connection.
5. The fan should not be accessible to a person using either the shower or the bath.

INSTALLATION INSTRUCTIONS

1. Cut a suitable diameter hole in the wall. If the fan is to be fixed in the ceiling ensure that the hole is between the joists.
2. Hole recommended sizes for plaster board fixing with fixing clips:
LP100 = 115mm, LP120 = 140mm
LP150 = 173mm
and for all other fixing:
LP100= 110mm, LP120=130mm,
LP150=155mm
3. Remove the cover from the fan by removing the small screw cap on the front cover and remove the retaining Philips screw.
4. Hold the body of the fan against the wall or ceiling and mark the four screw holes and the cable entry on the side. (Use the fixing clips to secure the fan in panel walls & ceilings). See diagram 1A
IMPORTANT: Ensure that the fan is square on wall or ceiling.
5. Bring power cable into position, as marked. Allow an extra 230mm (9") protruding to facilitate connection.

Diagram 1

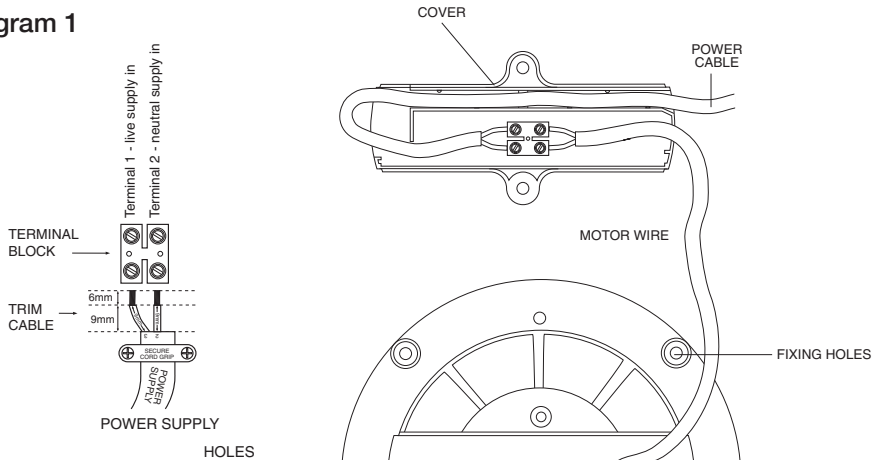
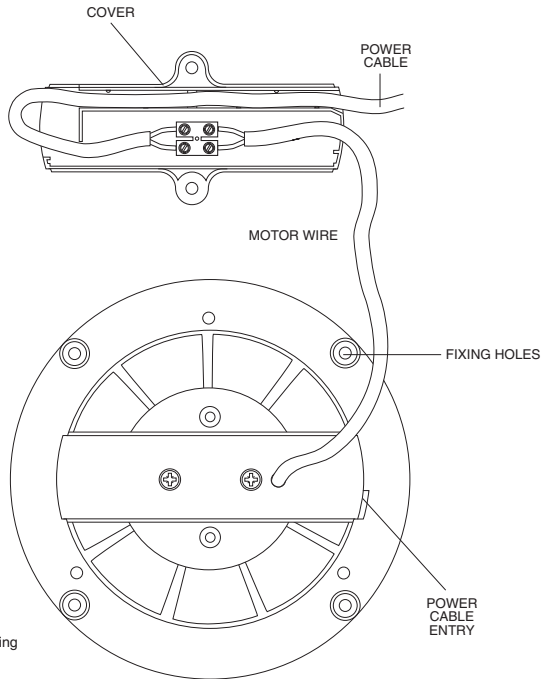
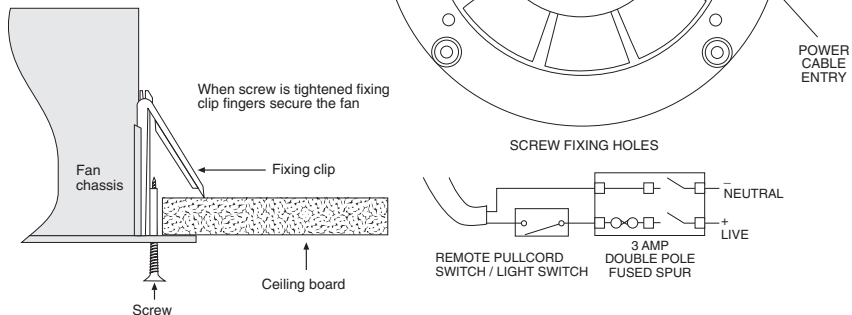


Diagram 1A

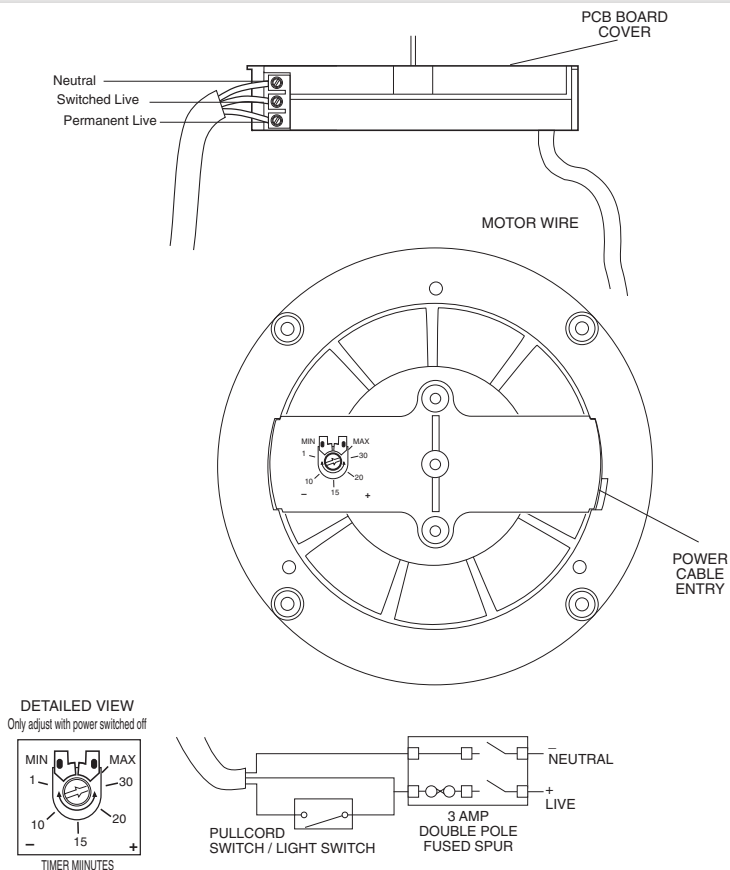


Electrical Connection: Standard Model. See Diagram 1.Timer model, Diagram 2.

Remove the internal cover by removing the 2 small caps and retaining Philips screws to access the terminal connections. The fan can either be operated from a separate pullcord switch fitted to the ceiling of the room or can be connected to the light switch so that the fan will start when the light is switched on. The fan should not be accessible to a person using either the shower or the bath.

Timer Adjustment

The Timer fan will run approximately one minute after it has been switched off. This time delay can be increased by firstly switching off the power to the fan. Remove the cover and the timer cover as detailed in diagram 2A. Insert a small screwdriver into the slot, marked \uparrow in Diagram 2A, and turn clockwise to reduce the time and anti-clockwise to increase the time. **Only adjust with power switched off.** the timer will run for is 30 seconds and the maximum is about 20 minutes. **NB Timer delay is adjustable as indicated on the timer strip cover.**

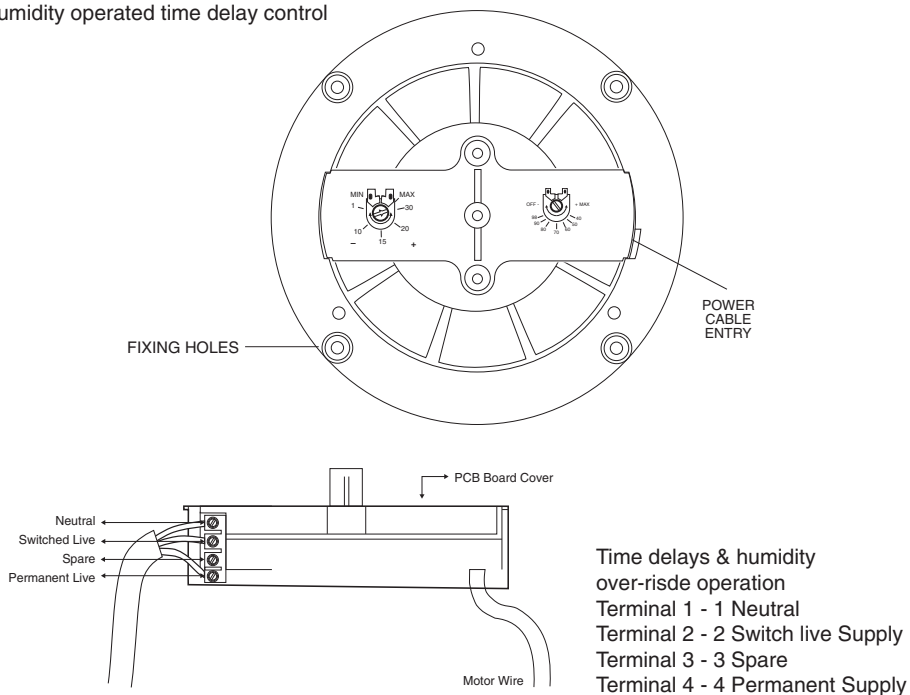


8. Electrical Connections: Electronic Humidity Model (Diagram 3)

For the fan to operate as a normal time delay unit with humidity over-ride i.e. when connected with a switched live coming from the light switch into the fan, the fan will operate when the light is switched on, and switch off after about 20 seconds to 20 minutes (timer is pre-set for the minimum). However should the humidity in the room reach about 75%, which will happen if the shower is run or the bath filled with hot water, the fan will switch on and keep running until the humidity has been reduced to a normal level, about 65%. Connect to electrical supply as shown in diagram 3.

Diagram 3

Humidity operated time delay control



LP100, LP120, T. Max 40°C Rated 220-240V ~50Hz 20W IP24

LP150, T. Max 40°C Rated 220-240V ~50Hz 25W IP24



Please dispose of used fan at your local civic amenity site. **Do not** dispose in domestic waste.

