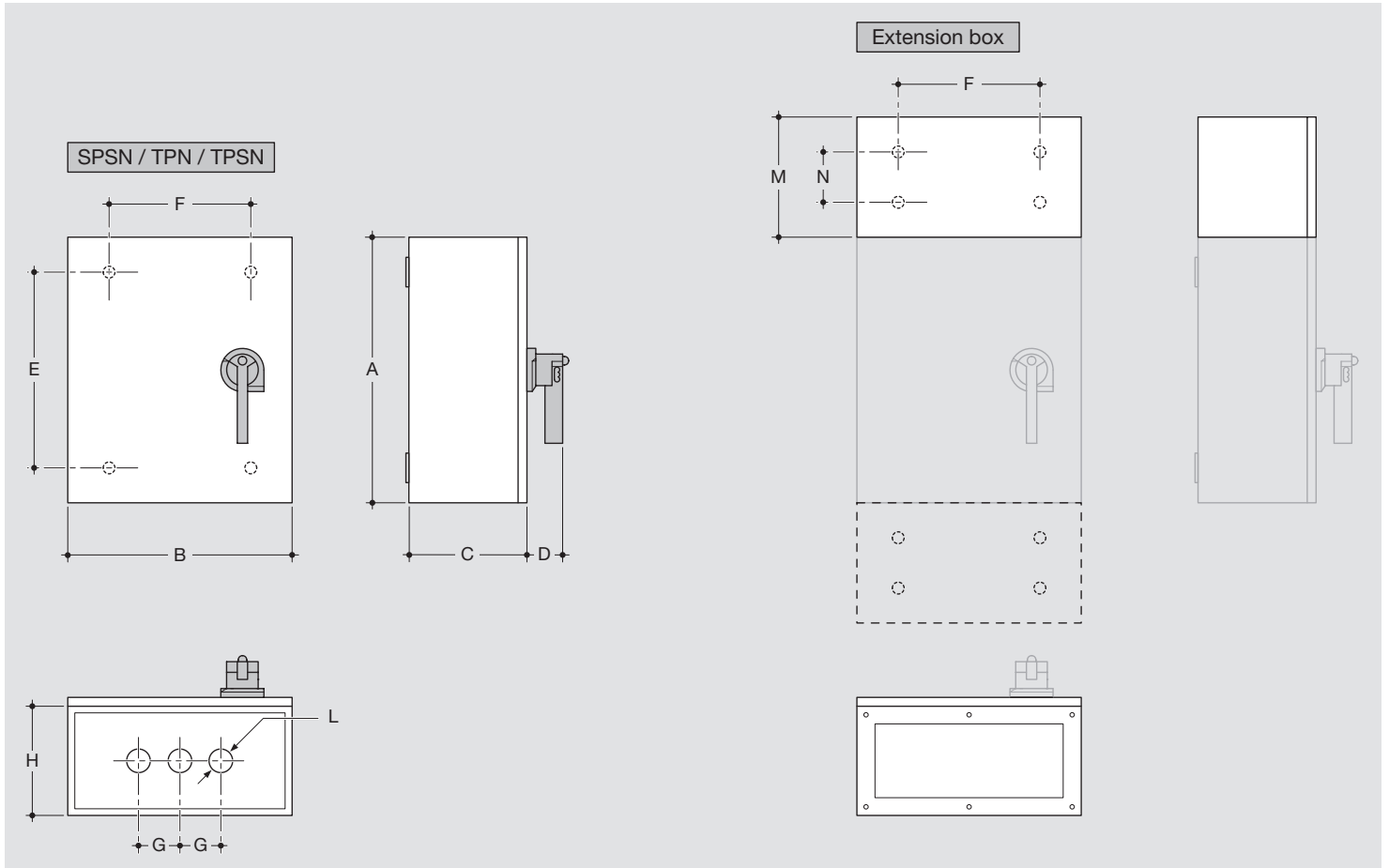
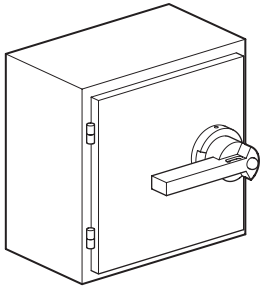
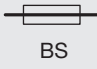
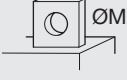
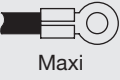
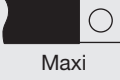

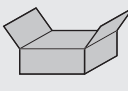
















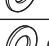













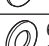
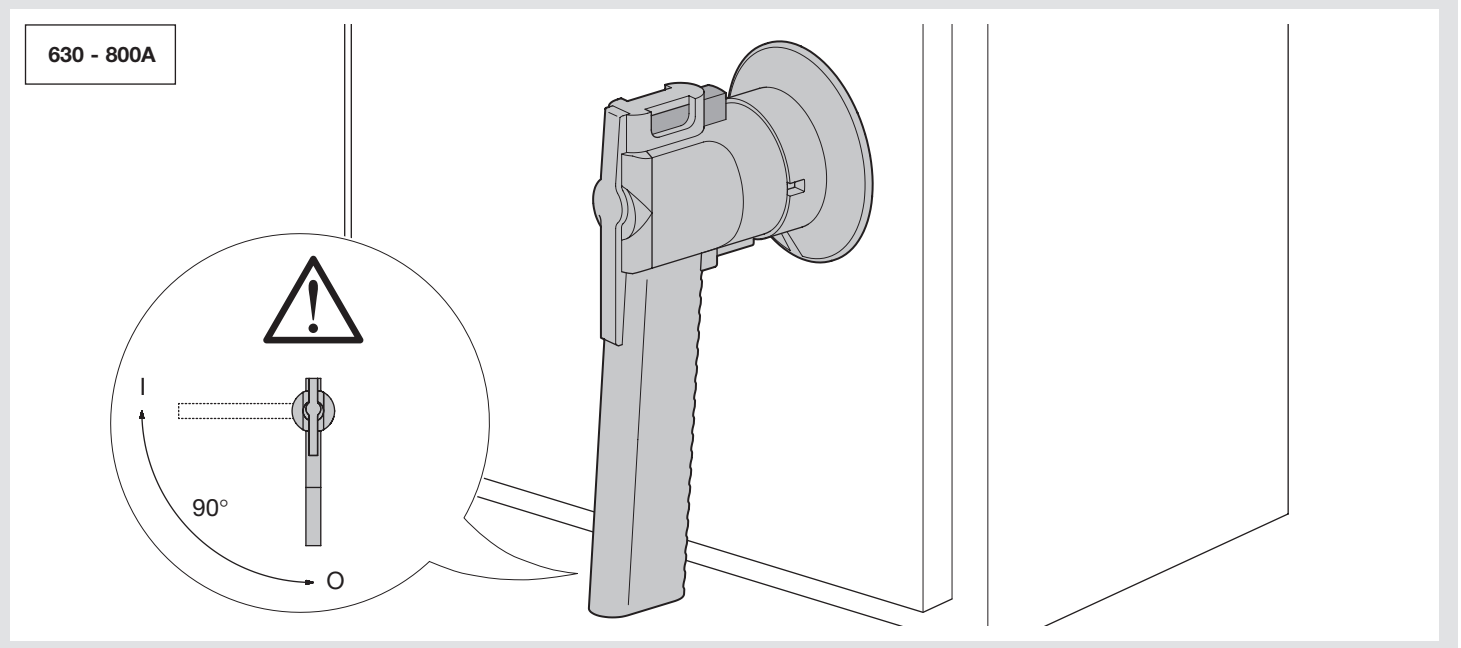
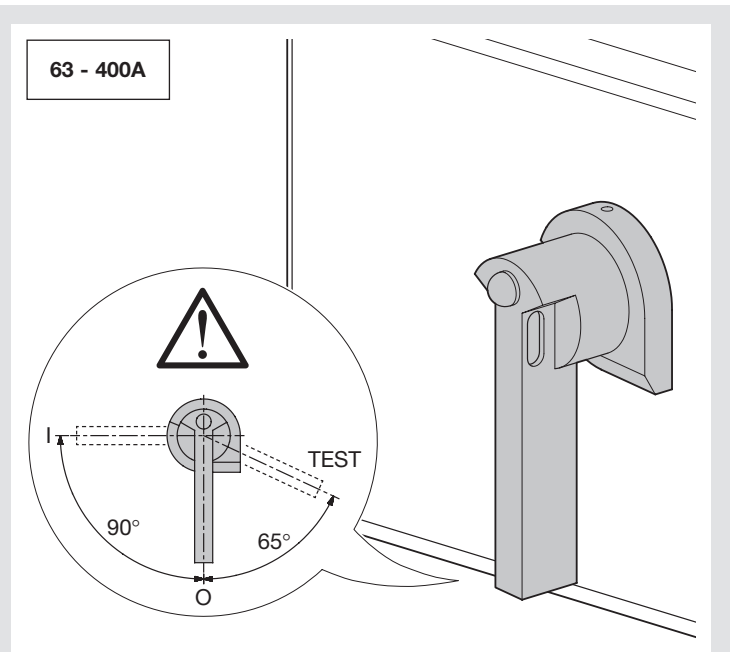
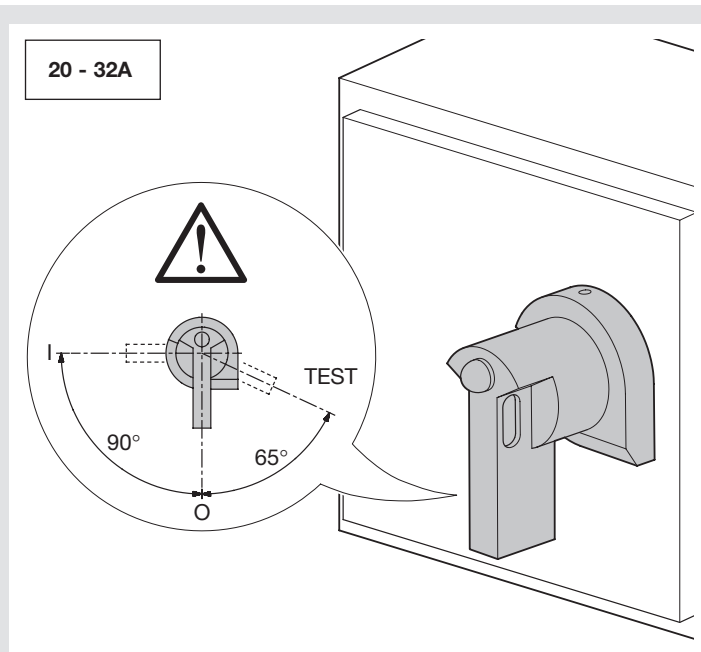


6H 5114.a

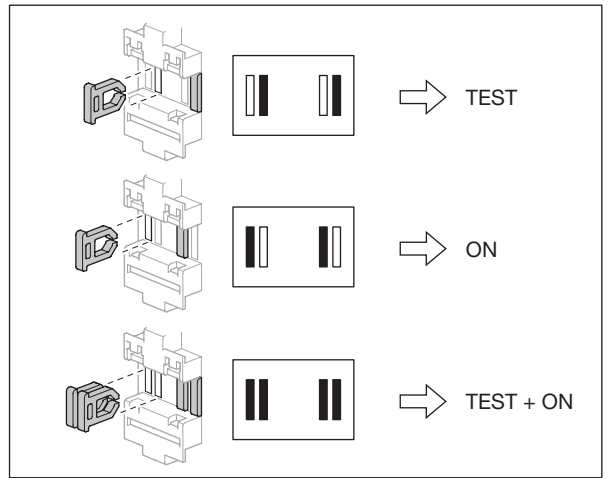
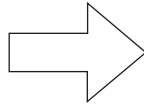
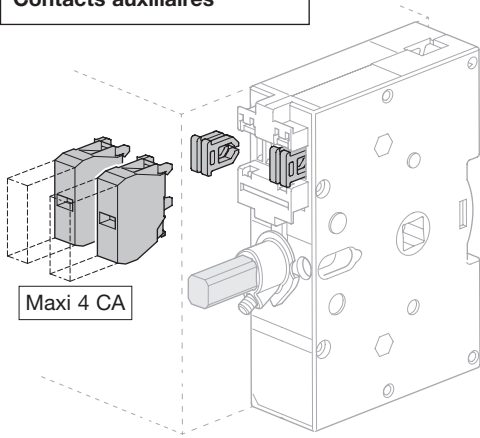


In (A)	SPSN	TPN	TPSN	Extension box	A (mm)	B (mm)	C (mm)	D (mm)	E (mm)	F (mm)	G (mm)	H (mm)	L (mm)	M (mm)	N (mm)
20	OK	OK	OK	NO	250	200	150	60	172	120	36	126	2x 20 1x 25	NO	NO
32	OK	OK	OK	NO	250	200	150	60	172	120	36	126	2x 20 1x 25	NO	NO
63	OK	OK	OK	NO	325	300	150	60	217,5	190	60	126	1x 25 1x 32 1x 40	NO	NO
100	OK	OK	OK	NO	400	375	200	60	292	265	60	176	1x 25 1x 32 1x 40	NO	NO
125	NO	OK	OK	OK	500	375	200	60	380	265	NO	176	NO	200	96
160	NO	OK	OK	OK	500	375	200	60	380	265	NO	176	NO	200	96
200	NO	OK	OK	OK	500	375	200	60	380	265	NO	176	NO	200	96
250	NO	OK	OK	OK	500	375	200	60	380	265	NO	176	NO	200	96
315	NO	OK	OK	OK	650	500	300	60	529	390	NO	276	NO	250	134
400	NO	OK	OK	OK	650	500	300	60	529	390	NO	276	NO	250	134
630	NO	OK	OK	OK	800	600	350	109	679	490	NO	326	NO	300	184
800	NO	OK	OK	OK	800	600	350	109	679	490	NO	326	NO	300	184

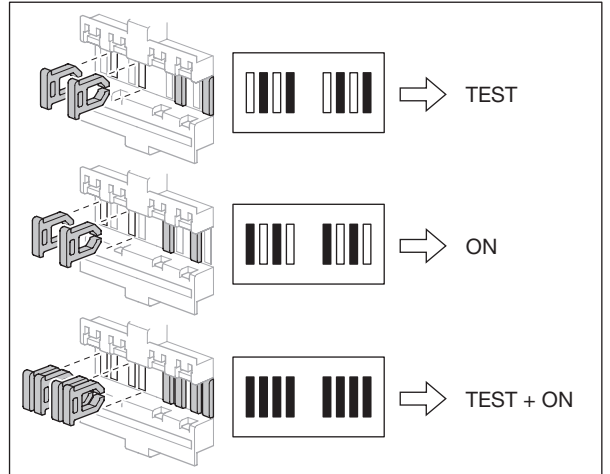
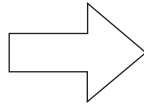
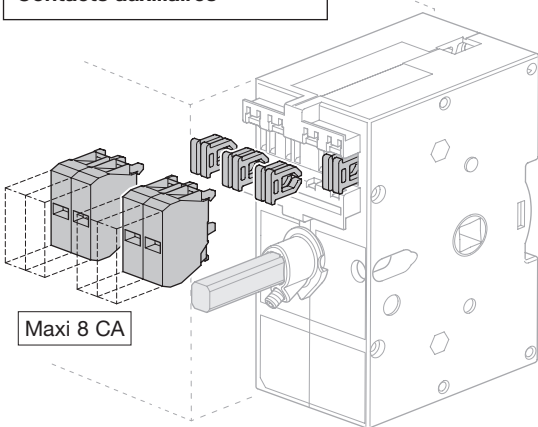
In (A)	 BS	 ØM	 Maxi	 Maxi		 3P (4P)
<b>20</b>	A1		16 mm <sup>2</sup>		2 Nm	 4x
<b>32</b>	A1		16 mm <sup>2</sup>		2 Nm	 4x
<b>63</b>	A2 - A3		25 mm <sup>2</sup>		6 Nm	
<b>100</b>	A4	M8	95 mm <sup>2</sup>	20x 5 mm	9 Nm	 6x (8x) M8-15  6x (8x)
<b>125</b>	B1 - B2	M8	95 mm <sup>2</sup>	20x 5 mm	9 Nm	 6x (8x) M8-15  6x (8x)
<b>160</b>	B1 - B2	M8	95 mm <sup>2</sup>	20x 5 mm	9 Nm	 6x (8x) M8-15  6x (8x)
<b>200</b>	B1 - B2	M10	240 mm <sup>2</sup>	32x 5 mm	20 Nm	 6x (8x) M10-15  6x (8x)
<b>250</b>	B1 - B3	M10	240 mm <sup>2</sup>	32x 5 mm	20 Nm	 6x (8x) M10-15  6x (8x)
<b>315</b>	B1 - B3	M10	240 mm <sup>2</sup>	45x 5 mm	20 Nm	 6x (8x) M10-15  6x (8x)
<b>400</b>	B1 - B4	M10	240 mm <sup>2</sup>	45x 5 mm	20 Nm	 6x (8x) M10-15  6x (8x)
<b>630</b>	C1 - C2	M12	2x 300 mm <sup>2</sup>	63x 5 mm	40 Nm	 6x (8x) M12-35  6x (8x)  12x (16x) M10-25  12x (16x)
<b>800</b>	C1 - C3	M12	2x 300 mm <sup>2</sup>	63x 5 mm	40 Nm	 6x (8x) M12-35  6x (8x)  12x (16x) M10-25  12x (16x)



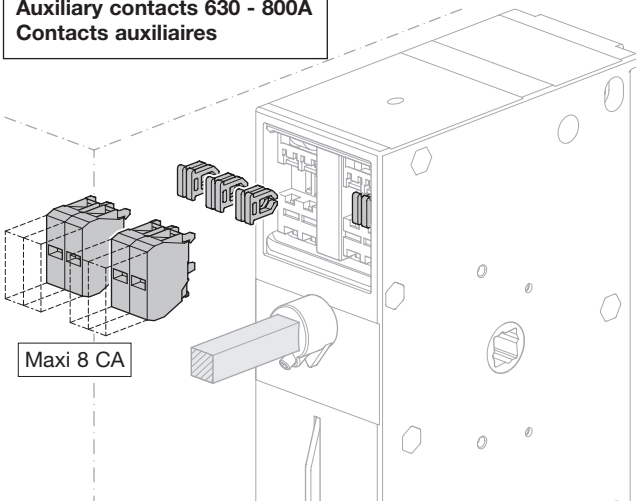
**Auxiliary contacts 20 - 200A**  
Contacts auxiliaires



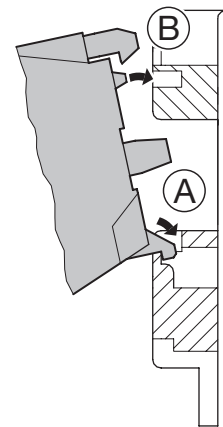
**Auxiliary contacts 250 - 400A**  
Contacts auxiliaires



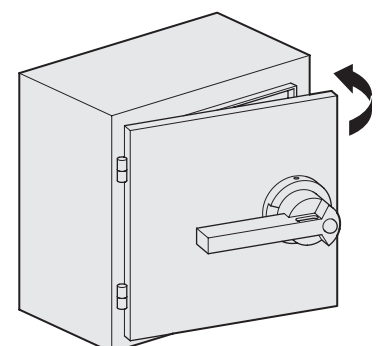
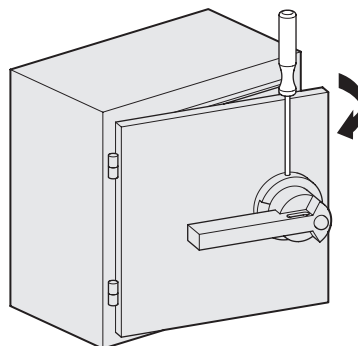
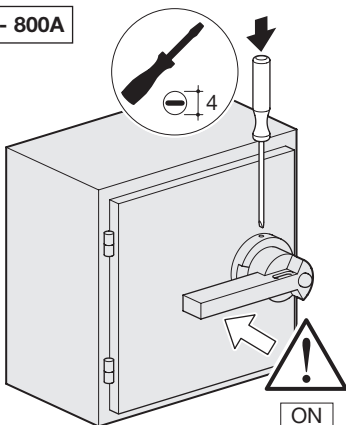
**Auxiliary contacts 630 - 800A**  
Contacts auxiliaires



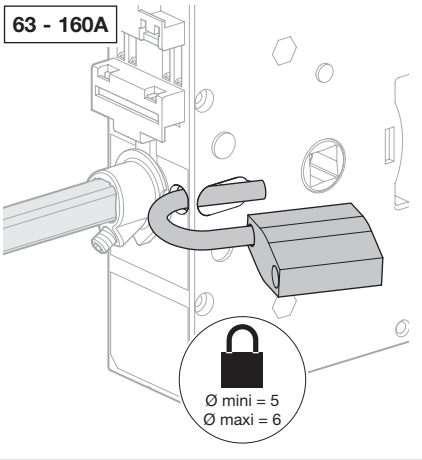
**Auxiliary contacts mounting**  
Montage des contacts auxiliaires



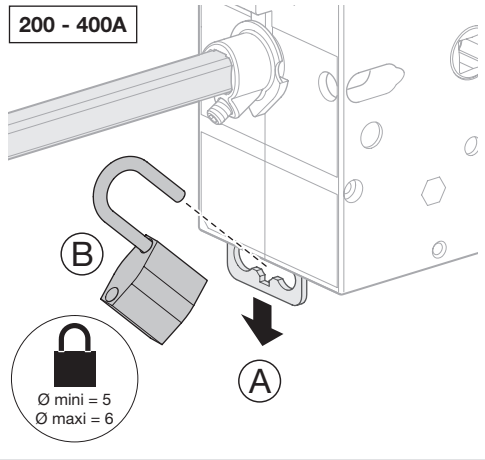
**20 - 800A**



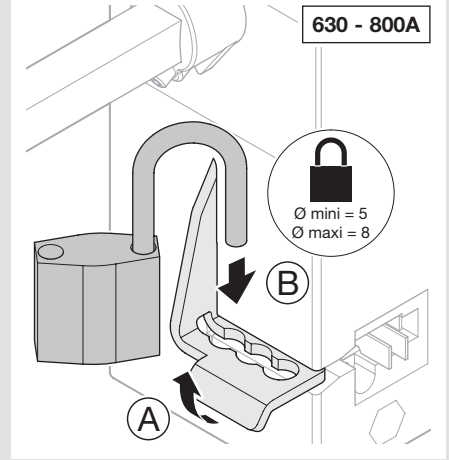
63 - 160A



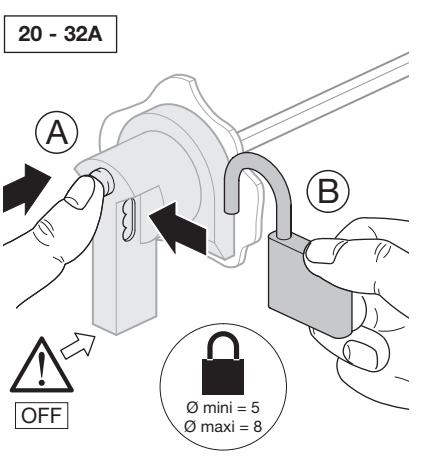
200 - 400A



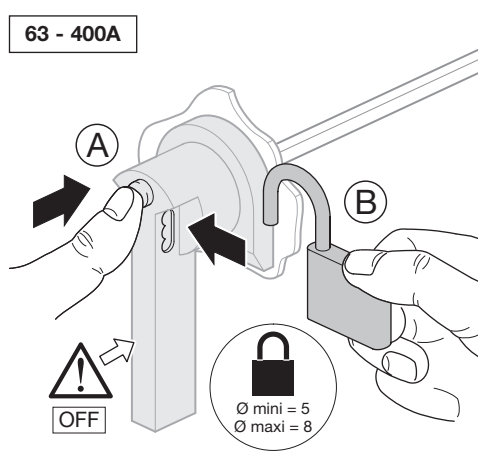
630 - 800A



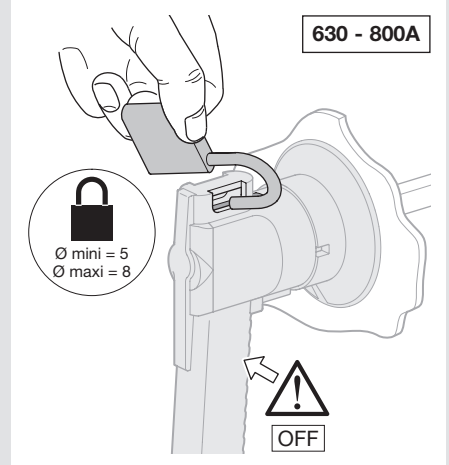
20 - 32A



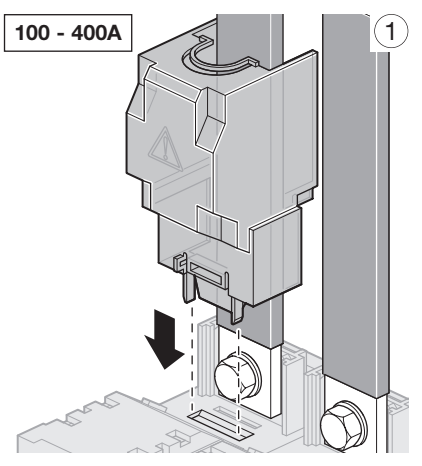
63 - 400A



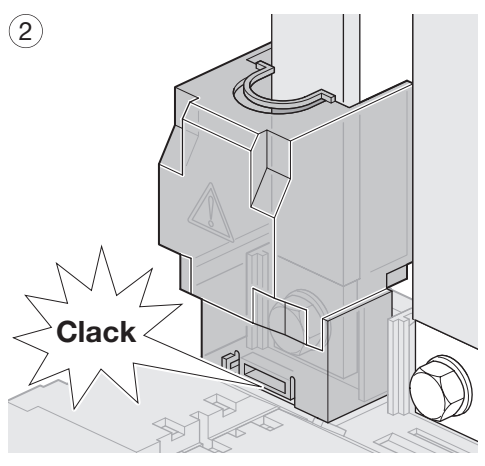
630 - 800A



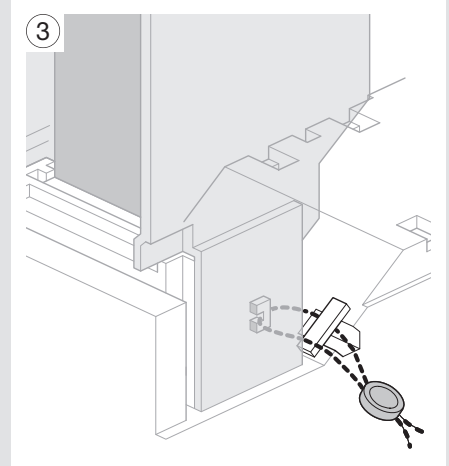
100 - 400A



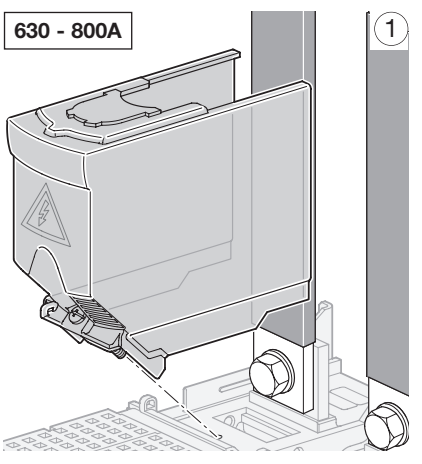
2



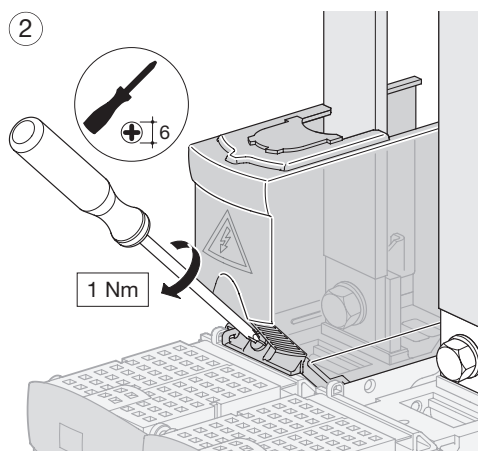
3



630 - 800A



2



3

