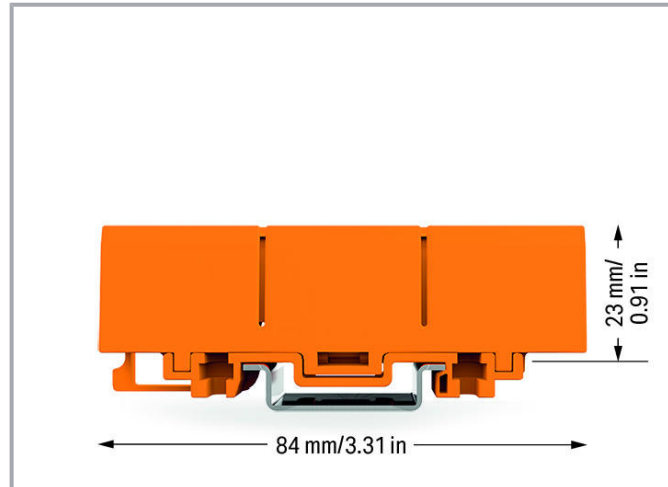


## Data sheet | Item number: 2773-500

Mounting carrier; for single- and double-row con.; 2773 Series; for DIN-35 rail mounting/screw mounting; orange



[www.wago.com/2773-500](http://www.wago.com/2773-500)



### Item description

#### Note:

One single carrier can hold up to 30 clamping units in a very narrow space. Previously, this was only possible using rail-mount terminal blocks.

#### Additional benefits:

- Mount carrier onto DIN-35 rail or via screws – easily and quickly
- Accommodate three 4 mm<sup>2</sup> (12 AWG) 2273 Series Connectors in a single carrier
- Easily exchange connectors
- Large marking area for self-adhesive marking strips or for direct marking with permanent felt-tip pen

### Data

#### Physical data

Width	18 mm / 0.709 inch
Height	84 mm / 3.307 inch
Depth from upper edge of DIN-rail	23 mm / 0.906 inch

#### Mechanical data

Mounting type	DIN-35 rail Screw mount
---------------	----------------------------

Subject to changes. Please also observe the further product documentation!

WAGO Kontakttechnik GmbH & Co. KG  
Hansastr. 27  
32423 Minden  
Phone: +49571 887-0 | Fax: +49571 887-169  
Email: [info.de@wago.com](mailto:info.de@wago.com) | Web: [www.wago.com](http://www.wago.com)

Do you have any questions about our products?  
We are always happy to take your call at 01788 568 008.



Suitable

for single- and double-row connectors (2773 Series)

## Material data

Color orange

Weight 12.6 g

## Commercial data


Packaging type BOX

Country of origin CN

Customs tariff number 39269097900

## Optional accessories

### Marking accessories

 **Item no.: 210-834**  
Marking strips; on reel; 5 mm wide; plain; Self-adhesive; white [www.wago.com/210-834](http://www.wago.com/210-834)

## Downloads

### Documentation

#### Additional Information

Technical explanations 3 Apr 2019 pdf 2.2 MB Download

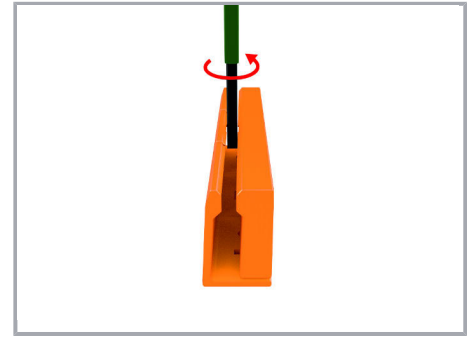
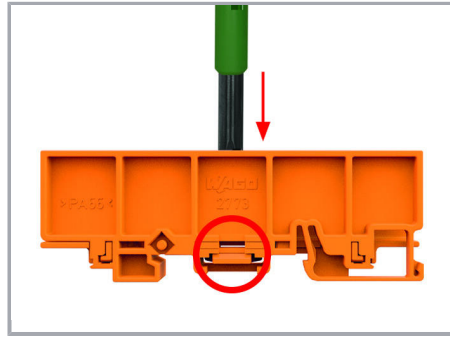
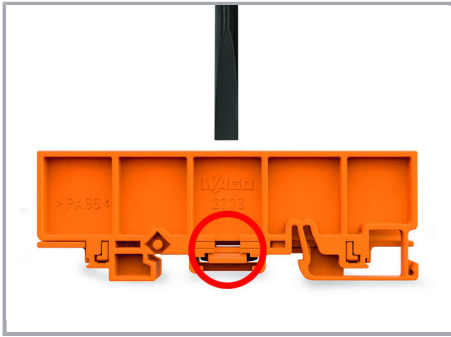
## Environmental Product Compliance

### Compliance Search

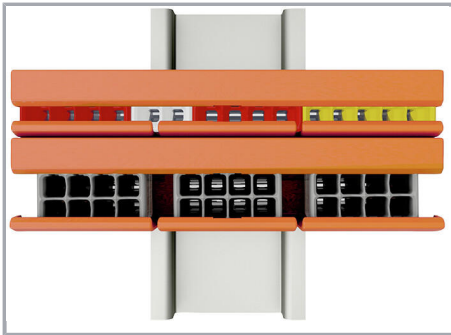
Environmental Product Compliance 2773-500 URL Download  
Mounting carrier; for single- and double-row con.; 2773 Series; for DIN-35 rail mounting/screw mounting; orange

## Installation Notes

Subject to changes. Please also observe the further product documentation!



To adjust the mounting carrier, unlock the latch via operating tool (5.5 mm blade) and move the clamping slide to the required width by rotating the tool.



The mounting carrier is suitable for both connector widths.

Subject to changes. Please also observe the further product documentation!