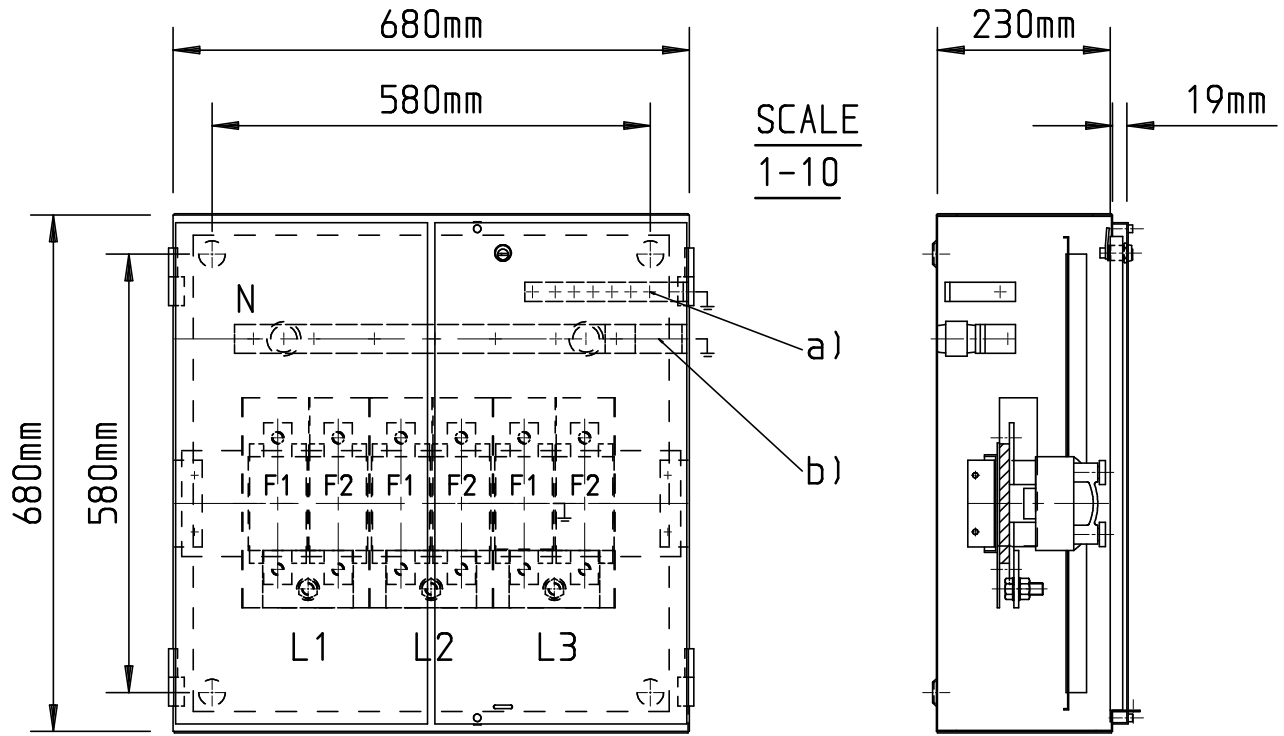


R5497



- a) EARTH BAR FITTED ON S.N.E. SYSTEMS ONLY
- b) P.M.E. LINK FITTED ON P.M.E. SYSTEM ONLY

WALL MOUNTED CASE FABRICATED FROM 16g. ZINC COATED SHEET STEEL.

HINGED TRAY PATTERN COVERS SECURED BY CAPTIVE THUMB SCREWS,  
MUL-T-LOCK, PROVISION FOR SEALING & PADLOCKING ATTACHMENT

COPPER BUSBARS WITH M16 STUDS FOR INCOMERS.

SLOT IN TOP & BOTTOM OF CASE FITTED WITH REMOVABLE (16g) FLAT STEEL  
PLATES.

BACK OF CASE DRILLED & EMBOSSED FOR WALL FIXING.

6 x HENLEY 58424-01 CARRIERS - JP TYPE HRC FUSELINKS & WEDGE TYPE BASES.

PVC INNER INSULATING SCREEN WITH APERTURES TO PASS FRONT OF FUSE UNITS  
& FILLETS BETWEEN PHASES.

FINISH:-

CASEWORK STOVE ENAMELLED DARK GREY SHADE BS632.  
STEEL SCREWS & COMPONENT PARTS ZINC PLATED.

2 WAY J TYPE SERVICE  
DISTRIBUTION FUSE BOARD  
G.R.P. CARRIERS

RYEFIELD ENGINEERING Co LTD

SK 3011/3