



FIRE RATED



DIMMABLE

240V

50Hz



RoHS  
COMPLIANT  
2002/95/EC



90mins  
protection



Part E'  
Compliant

80mm  
cutout

## INSTALLATION GUIDE

### GENERAL INSTRUCTIONS

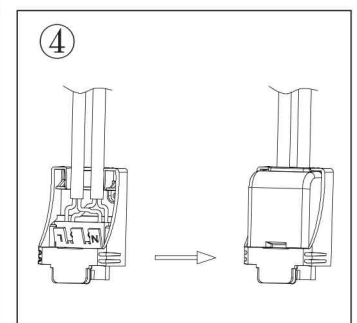
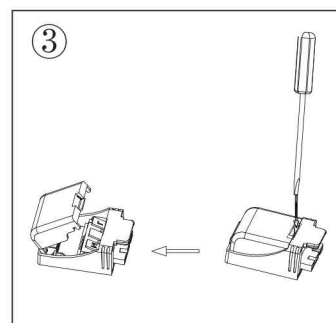
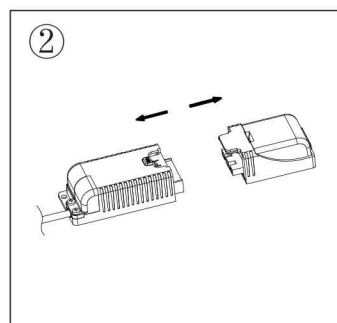
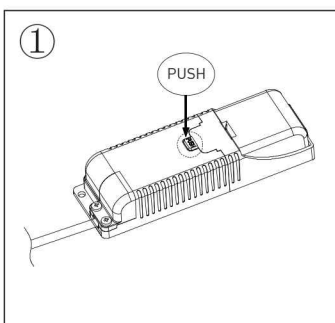
These instructions should be read carefully and retained after installation for further reference and maintenance.

### SAFETY

- Before installation or maintenance ensure that the mains supply to the luminaires is switched off and the circuit supply fuses are removed or circuit breaker turned off.
- A qualified electrician must be consulted or used for the installation of this luminaire.
- This product must be installed in accordance with the latest edition of the IEE Wiring Regulation and the relevant building regulations. If in any doubt, consult a qualified electrician.
- Check that the total load in the circuit, including when this luminaire is fitted, does not exceed the rating of the circuit cable, fuse or circuit breaker.

### INSTALLATION

- Disconnect the power before commencing with the installation.
- Cut a suitable hole of 80mm diameter in the ceiling ensuring that it does not infringe with electrical cables, water/gas pipes or ceiling joists.
- Carefully fold back any insulation material so not to cover the luminaire and allow free circulation of air.
- Push 'PUSH' button to separate driver and terminal.
- Remove the terminal cover on the terminal box by inserting a screwdriver into the gap and prizing back the cover.
- Connect the mains cable into the terminal block ensuring correct polarity is observed and that if stranded cable is used that allstrands are terminated.
- Re-fit the terminal cover securing the mains cable under the cable clamp.
- Connect the driver and fitting to the terminal box. This can be done at a later date following decoration if required.
- Install the bezel onto the fitting (bezel not supplied).
- Fit the downLight into the hole in the ceiling with the 2 spring clips supplied.
- Test for correct operation.



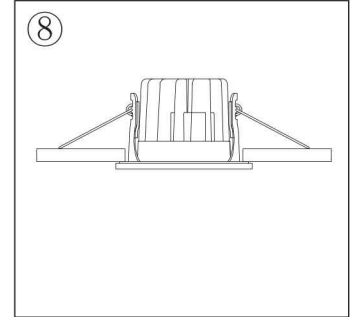
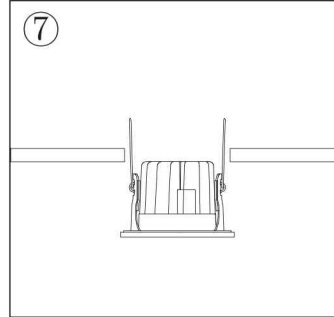
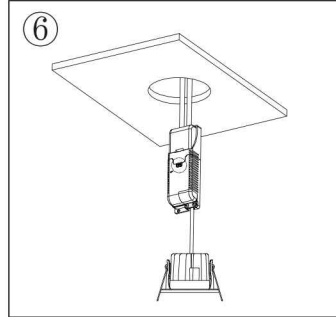
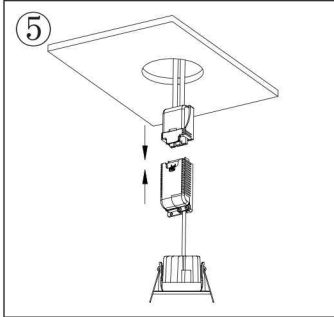
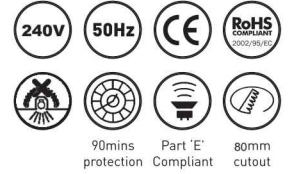
# ELAN TILT | FIRE RATED DOWNLIGHT



FIRE RATED



DIMMABLE



## DIMMING

The fitting comes as standard with a dimmable loop in - loop out LED driver that allows the user to regulate the light output to best suit their lighting needs.

Please note: -

- The driver can be used with most trailing and leading edge dimmers.
- Please examine carefully the manufacturers guide on the dimmer switch you intend to use and check compatibility.

In some cases you may need to change or upgrade your dimmer switch in the unit flickers or does not dim smoothly.

## INFORMATION AND MAINTENANCE

- This luminaire contains no user serviceable parts.
- Suitable for use in ambient temperatures up to +25°C.
- At the end of the products life, this product must not be disposed of in landfill. Local recycling guidance should be sought for disposal.
- Luminaire suitable for indoor use only.
- The product should not be covered by insulation.
- Avoid using chemical products to clean bezel as this can cause damage to finished surface.

