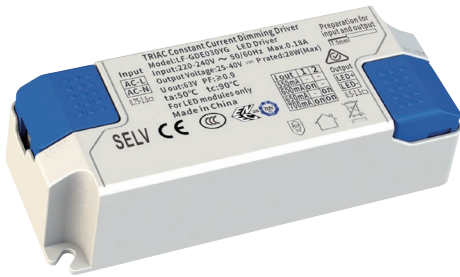


92723

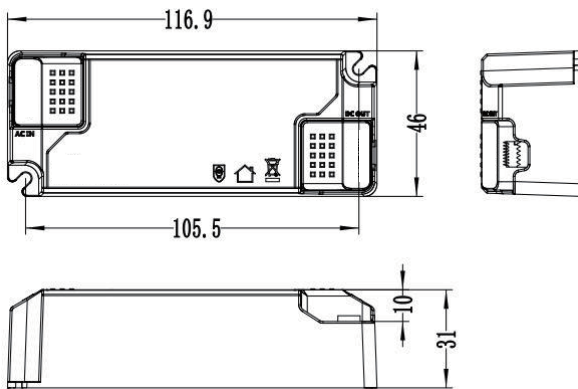
Triac Dimming Series Flicker-Free LED Power Supply 28W 700mA



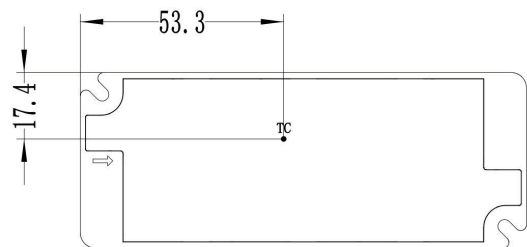
Product Feature

- Constant current output, but can be adjusted via a DIP switch
- Plastic housing. Suitable for Class II light fixtures
- Triac dimming
- Flicker free, even when it's dimming
- Warranty: 2 years + 3 years extended warranty

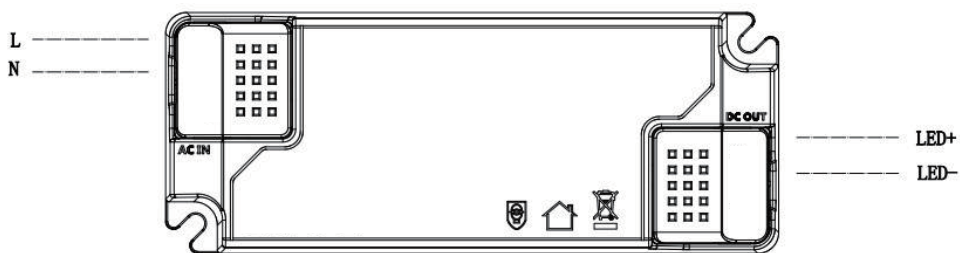
Dimension (unit: mm, tolerance: +0.5mm)



TC Spot (on the bottom cover)



Wiring diagram



DIP Switch Table

DIP switch setting				
Ta	Vo DC	Current	1	2
50°C	25V — 40V	700mA	ON	ON
		650mA	ON	—
		600mA	—	ON
		550mA	—	—

Technical Data

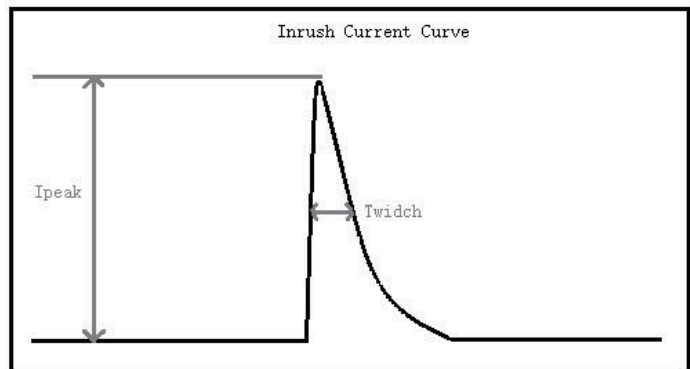
Output	Output Voltage	25-40V			
	Output Current	Output current can be adjusted via the DIP switch. Refer to DIP switch table.			
		550mA	600mA	650mA	700mA
	Ripple Voltage	<1V (20MHz)			
	Current Tolerance	±6%@230VAC			
	Temperature Drift	±10%			
	Line Regulation	±6%			
Start-up Time	230V <0.5s				
Input	Line Regulation	±6%			
	Input Voltage	220-240VAC (voltage limit : 198-264VAC)			
	Input Frequency	47-63Hz			
	Input Current	0.18A Max.			
	Power Factor	≥0.9@230VAC			
	THD	≤20%			
	Efficiency	≥82%/230VAC			
	Inrush Current	≤30A/350uS@230VAC (Max.)			
	Leakage Current	≤0.7mA			
	Stand-by Power	≤1W (without any dimmer)			
Protective Feature	Open Circuit Protection	≤63V (Restarting AC voltage is needed.)			
	Short Circuit Protection	Hiccup mode (Restarting AC voltage is needed.)			
Environment Condition	Working Temperature	-30°C ~ +50°C			
	Working Humidity	20-90%RH (no condensation)			
	Storage Temperature/Humidity	-40°C ~ 80°C(six months under class I environment); 10-90%RH (no condensation)			
	Atmospheric Pressure	86-106KPa			
Safety & Norm	Withstand Voltage	I/P-O/P: 3.75KV, 5mA, 60s			
	Insulation Resistance	I/P-O/P: 500VDC, >100MΩ			
	Surge Rating	IEC61000-4-5 (L-N: 1KV)			
	Safety Standard	EN61347, GB19510			
	Electromagnetic Interference	EN55015, EN61000-3-2			
	Electro Magnetic Susceptibility	EN61000-4-2, 3, 4, 5, 6, 8, 11; EN61547			
Others	IP Rating	IP20			
	Warranty Condition	Tc: 75 °C			
Testing Equipment	AC power source: CHROMA6530, digital power meter: CHROMA66202, Oscilloscope: Tektronix DPO3014, DC electronic load: M9712B, LED board, constant temperature and humidity chamber, lightning surge generator: Everfine EMS61000-5B, rapid group pulse generator: Everfine EMS61000-4A, spectrum analyzer: KH3935, hi-pot tester: TH9201B, stroboscope (percent flicker tester) 60N-01, etc.				
Testing Condition	Unless otherwise stated, the parameters of the power factor and efficiency are the test results under the ambient temperature of 25°C and humidity of 50%, AC input of 230V and 90% load.				
Additional Remark	<ol style="list-style-type: none"> 1. It is recommended that customer should install protection devices for surge and for over & under voltage to ensure safety before connecting to electricity. 2. The PC cover, housing, end caps and other parts of the LED driver inside the LED light fixture must conform to UL94-V0 flammability standard or above. 3. As an accessory, the LED driver is not the only factor determining the EMC performance of the LED light fixture. The structure and the wiring of the light fixture are also relevant. Thus it's strongly recommended the LED light fixture manufacturer re-confirms the EMC of the whole LED light fixture. 				

Circuit Breaker & Relevant Parameters

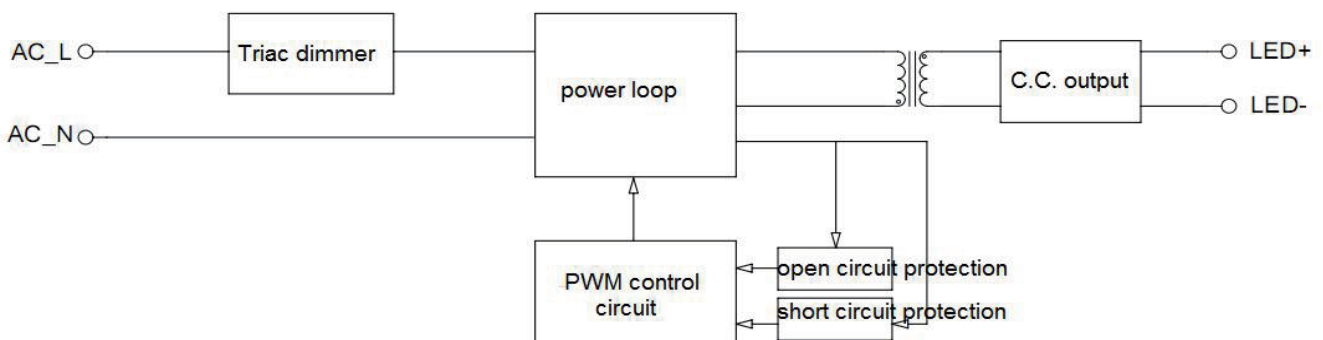
Name	Value	Remark
Surge peak current (I _{peak})	6.3A	Input voltage 230Vac
Surge half-peak time (T _{widch})	150μs	Input voltage 230Vac, measure the time for I _{peak} to drop to the half value.
Quantity of the same model driver that type-B 16A circuit breaker can configure.	53 pcs (Max.)	

Driver quantities are below if use another type of circuit breaker.

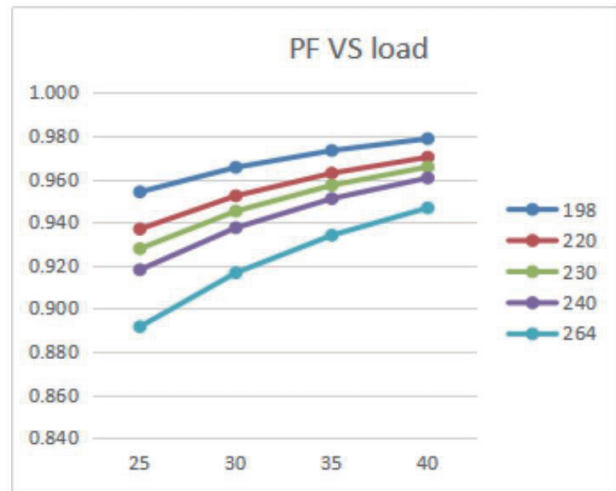
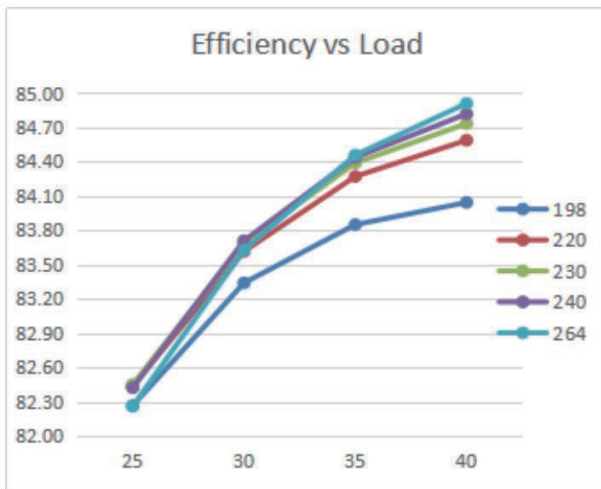
type	rank	relative driver quantities
B	10A	33
	13A	42
	16A	53
	20A	66
	25A	82
C	10A	55
	13A	71
	16A	89
	20A	110
	25A	137



Function Diagram



Product Feature Curve



Lifetime Curve

The curve below illustrates the driver's lifetime data when the its max. case temperature in a confined space reaches 40°C, 50°C, 60°C, 70°C and 80°C.

