
November 2013

This product has been
reconfigured

**Please read these
instructions**



heatSava

Intelligent Single Room Heat Recovery Unit

**INSTALLATION GUIDE FOR
ENGINEER / INSTALLER**



Contents

	Page
01 Introduction	2
02 Box Contents	3-4
03 Tools Checklist	5
03A Pre-Installation Checklist	6
04 Controls	6
05 Technical Specifications	7-8
06 Safety	9
07 Pre-Installation	10-11
08 Installation	12-24
Installation with wall seal	15-16
Installation with wall sleeve	17
09 Cleaning & Maintenance	25-27
10 Guarantee	28
11 Warranty	28
12 Wiring Diagrams	29-30

01 Introduction



Made in Harrogate
UK

Thank you for choosing EnviroVent

The fastest growing ventilation company in the UK

Ensure that this product is treated with care, installed and maintained correctly i.e. for the life of the building. Remember, if you have any problems please call our dedicated Technical Team.

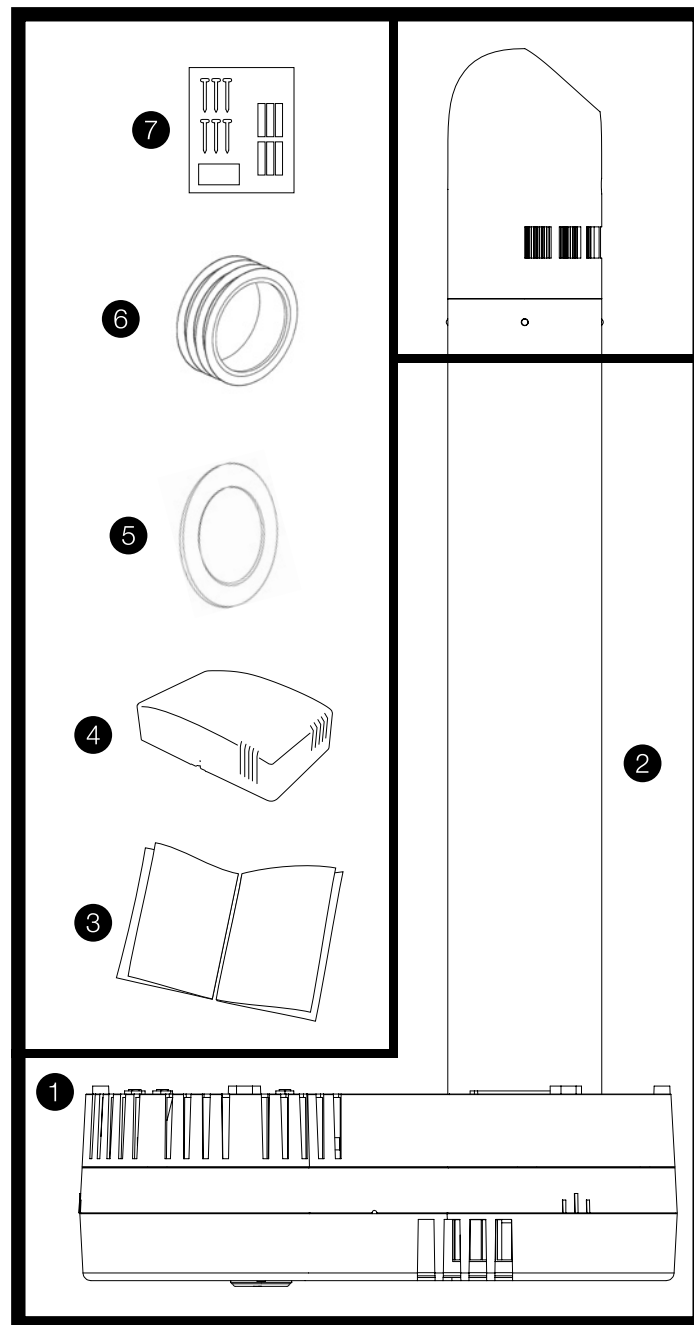
Gold Standard After Sales Service

In the unlikely event of any on-site installation problems or queries regarding the EnviroVent heatSava, just call our hotline number. We will take your details and appoint a regional installation manager to call you back to discuss the problem. In the majority of cases, the problem can be resolved over the phone. However, in cases where the problem cannot be resolved over the phone, we will arrange a visit from our Gold Standard Engineer. They will meet with your contractor/direct labour on-site to discuss and resolve the problem, will provide training and also give advice on the installation of the unit.

INSTALLER HOTLINE: 07540 050 147

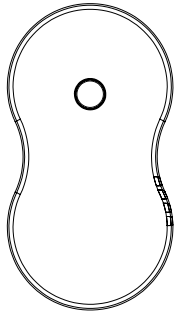
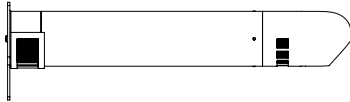
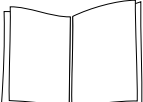
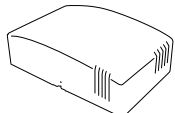





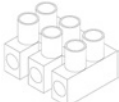
AFTER INSTALLING THIS UNIT PLEASE PASS ONTO END USER
DO NOT THROW AWAY

02 Box Contents













- | | | | |
|---|--------------------|---|------------|
| 1 | heatSava Unit | 5 | Halo |
| 2 | Heat Cell | 6 | Wall Seal |
| 3 | Instructions Guide | 7 | Fixing Kit |
| 4 | SELV (optional) | | |

02 Box Contents

	Description	Quantity	Item
1	heatSava Unit	1x	
2	Heat Cell	1x	
3	Instructions Guide	1x	
4	SELV (optional)	1x	
5	Halo (Wall Kit Contents)	1x	
6	Wall Seal	1x	
7	Fixing Kit	1x	
	8G X 2.0" - (Fixing Kit Contents)	6x	
	Red Wall Plugs - (Fixing Kit Contents)	6x	
	Terminal Block (Spare)	1x	

AFTER INSTALLING THIS UNIT PLEASE PASS ONTO END USER
DO NOT THROW AWAY

03 Tools Checklist (Not supplied)

Description	Item
Core Drill	
Electric Screwdriver	
Long & Short Screwdriver	
Small Terminal Screwdriver	
Spirit Level	
Cutting Pliers	
Long Nose Pliers	
Ladder	
Solvent Cement	
Silicone	

03A Pre-Installation Checklist

Boiler flue exclusion zone	✓
heatSava installation instructions have been read and understood	✓
Check unit size is suited to wall depth	✓
Use the template to position and orientate the unit	✓
Drill the core hole and 3 fixing holes as straight as possible	✓
Follow the instructions for installing the unit	✓
Ensure the unit's trickle and boost modes are working	✓
Ensure all electrics are safe	✓
The halo is properly fixed to the exterior wall	✓
The unit is securely fixed into position with enough space left for servicing	✓
Inform building owner/user on how to operate and maintain the system	✓
These checks are required to ensure the proper function of this unit. For EnviroVent Technical help call 0845 27 27 810	

04 Controls



Intelligent Humidity Tracking (Automatic)

The heatSava has been engineered with intelligent controls to think for itself, meaning that you don't need to press any buttons or light switches to turn it on.

When the heatSava senses a rise in humidity, caused by increased moisture generation such as through cooking or showering, the extract and supply airflows will slowly begin to increase in direct proportion to the increase in humidity.

It will then automatically track back down again when humidity falls. This controls condensation quietly and efficiently.



Pullcord (Manual)

The heatSava comes complete with a pull cord to activate the boost if required. Pull once to activate the boost and once to deactivate.



Summer Mode (Automatic)

During warmer days, the heatSava prevents warm air from entering the room and switches to provide extract ventilation only. As the temperature falls it automatically returns to heat recovery mode.



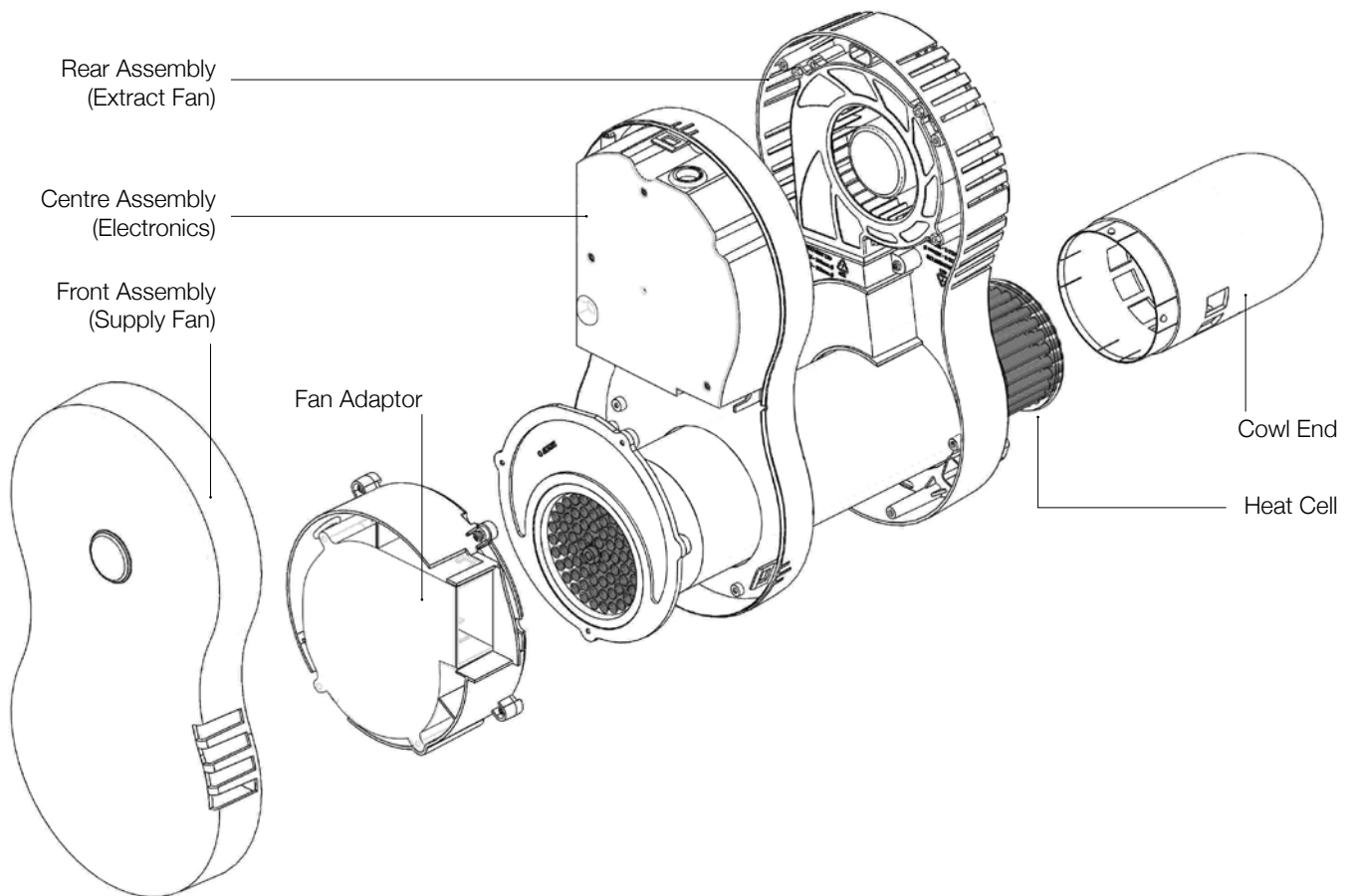
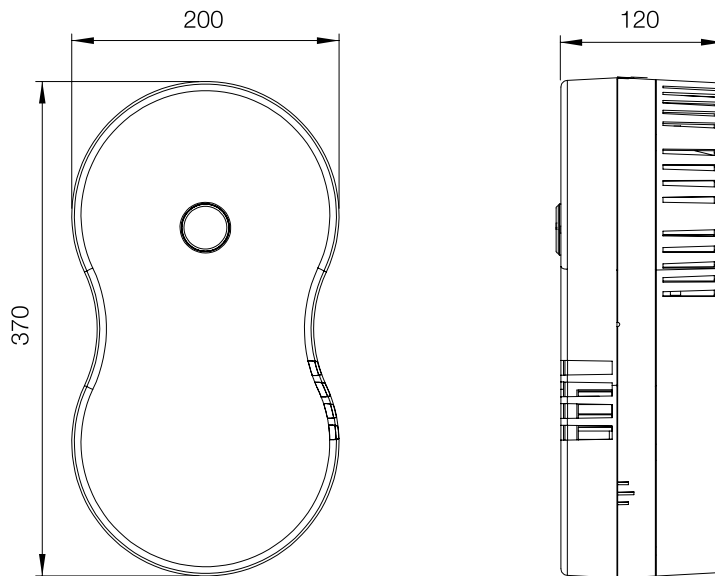
Frost Protection (Automatic)

The heatSava has an automatic built-in frost protection mechanism to prevent any damage to the heat exchange cell in cold conditions.

AFTER INSTALLING THIS UNIT PLEASE PASS ONTO END USER
DO NOT THROW AWAY

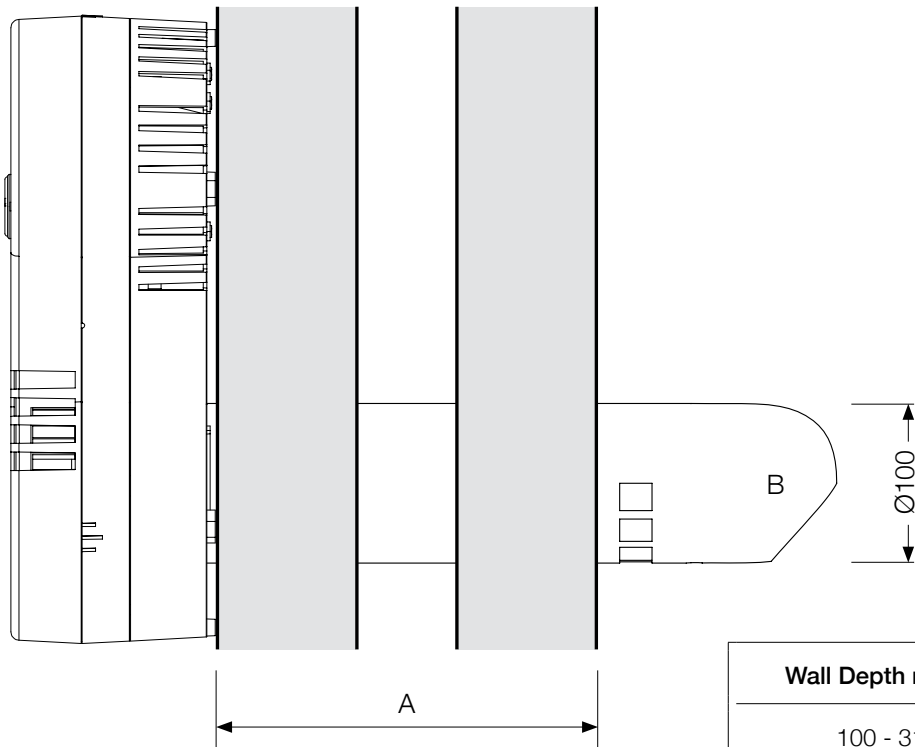
05 Technical Specifications

Unit Dimensions

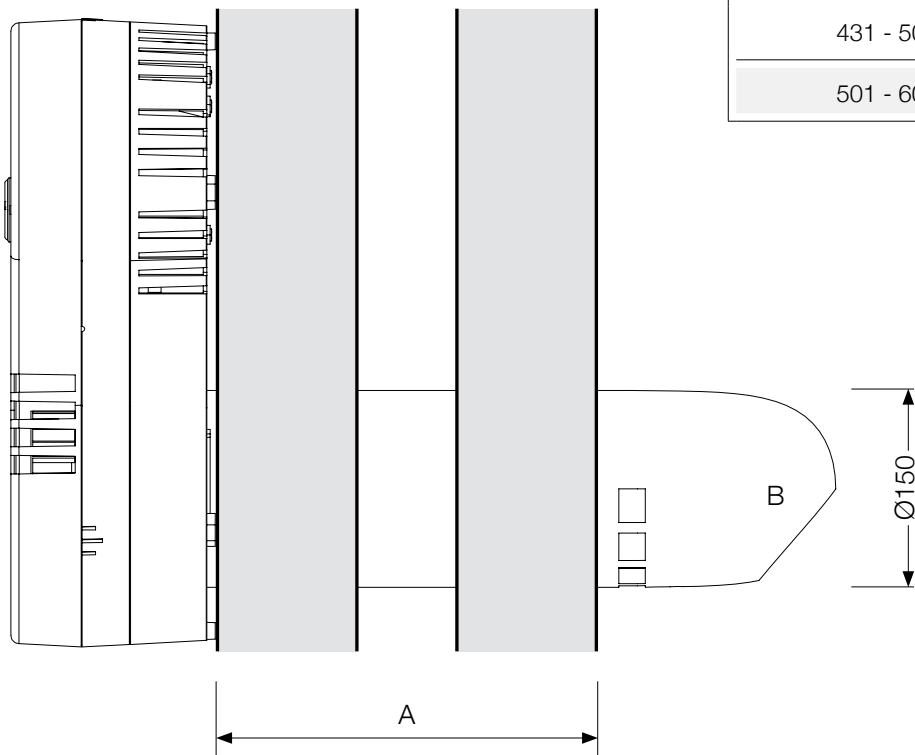


05 Technical Specifications

Heat Cells Options



Wall Depth mm (A)	Cell Order Size mm (B)
100 - 310	310
311 - 430	430
431 - 500	500
501 - 600	600



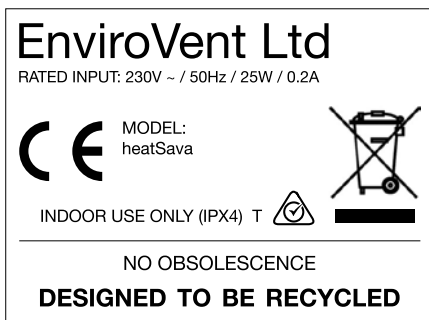
AFTER INSTALLING THIS UNIT PLEASE PASS ONTO END USER
DO NOT THROW AWAY

06 Safety

Be sure to have read and understood these instructions before beginning the installation process.

! All wiring must comply with Building Regulations and the current I.E.E. Wiring Regulations (BS7671) or the equivalent standards for your country. The final installation should be examined and tested by a qualified electrician.

Make sure the mains supply complies with the rating label for voltage, frequency and phase.



IPX4 Rated

This unit has been tested to IPX4 and is suitable for installation within Zone 1 of bathrooms. However, we recommend that you must not position the unit above any water devices such as taps, shower heads or jets and ensure water is not aimed directly at the unit. Do not use jets or shower heads etc to clean this unit.

- Never modify the fan or electronics
- Do not store inflammable products in the vicinity of this product
- This appliance is not intended for use by persons (including children) with reduced physical, sensory or mental capabilities, or lack of experience and knowledge, unless they have been given supervision or instruction concerning use of the appliance by a person responsible for their safety. Children should be supervised to ensure that they do not play with the appliance.
- For a bathroom application the power supply should be installed outside the bathroom as it is 230V.

IMPORTANT: This unit draws air in from atmosphere and you must ensure that any emissions from any other systems such as gas or oil boilers, do not contaminate the air entering the heatSava product. Therefore, before installation, consider where the external cowl will be located in relation to any boiler flues etc. Externally, you must ensure that the unit is positioned a minimum distance away of; 1 metre horizontally, 1 metre below or 3 metres above any boiler flue etc.

In kitchens, if the unit has to be fitted above a cooker, it must be installed a minimum distance of 650mm above electric cookers and 750mm above gas cookers, and not have a pullcord fitted.

Electrical Assembly

When wiring the unit in, a suitable disconnect device such as a fused spur should be used, do not use a plug. The means of disconnecting the unit from the mains power supply must be incorporated in the fixed wiring in accordance with the wiring rules.

There must be a necessity to allow disconnection of the appliance from the supply after installation, unless the appliance incorporates a switch complying with the wiring regulations. The disconnection may be achieved by incorporating a switch in the fixed wiring in accordance with the wiring regulations.

The electrical install comprises of a power supply unit (Fig.1) or a low voltage box - SELV (Fig.2). See pages 29-30 for wiring diagrams.

Any replacement cords have to be fitted by a competent tradesperson.

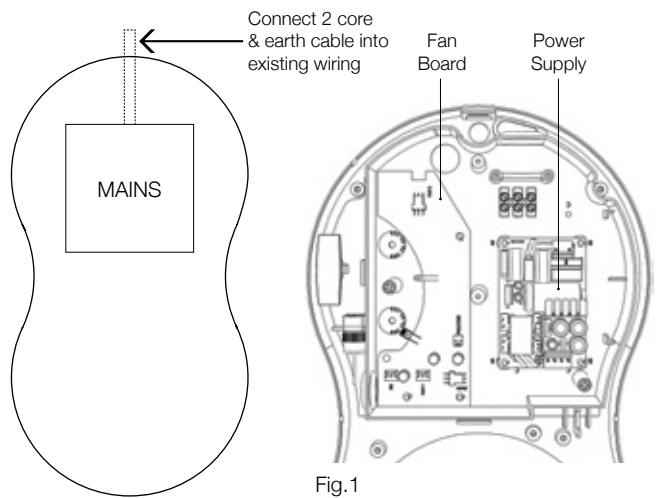


Fig.1

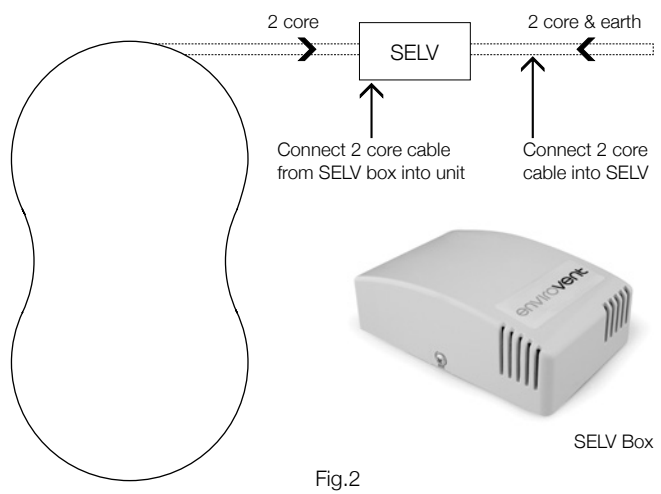


Fig.2

07 Pre-Installation

Introduction

Designed for through the wall installation, the heatSava is ideal for both refurbishment and new build properties. The outside diameter of the heat exchange casing is smaller than a standard wall sleeve and can therefore utilize an existing one already in place. The heatSava also takes into account the complexities of different wall depths to offer 4 different main lengths that the heat exchange casing is manufactured to (see page 8). The unit is installed from the inside out to allow for ease of installation in high-rise applications.

Built with intelligent humidity tracking controls means no user intervention is required and heatSava silent-night mode prevents noisy running at night. The heatSava is exceptionally versatile and can be installed horizontally or vertically in 4 different positions through 360° (Fig.3).

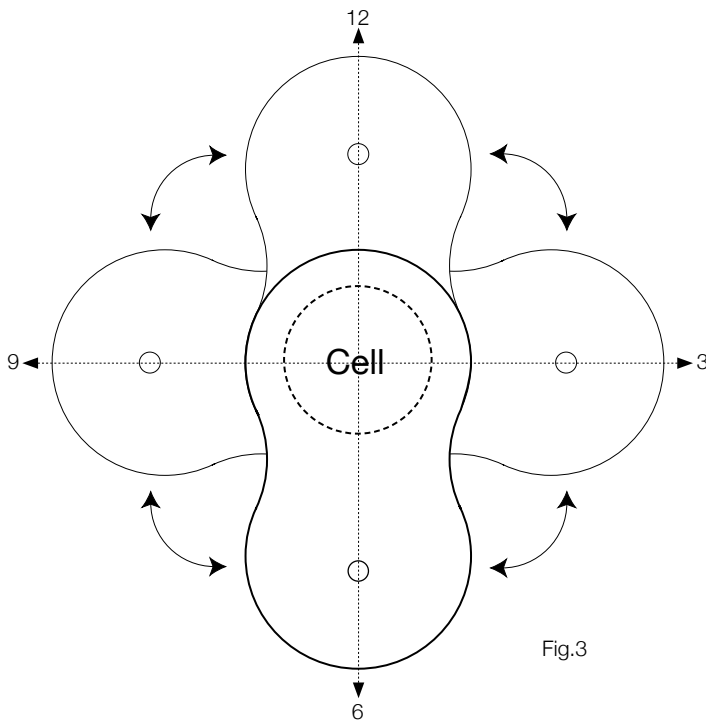


Fig.3

Pre-Installation Checklist

Before starting the installation process, ensure that you have all the necessary equipment and the following:

- Check wall depth
- heatSava Unit
- Heat Cell
- Fixing Kit
- Wall Seal Kit
- Low Voltage Box (optional)
- Choose position and orientation

Heat Cell Orientation

When fitting the heat cell into a wall, ensure that the cowl end is correctly orientated with the end always facing down. (Fig 4.)

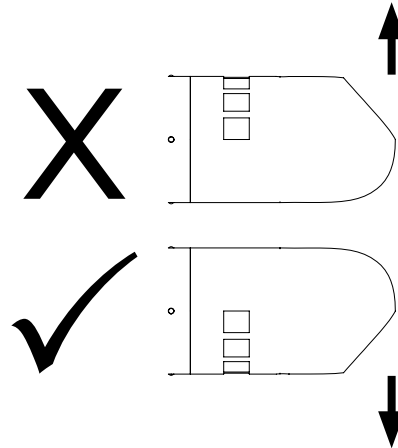


Fig.4

Clearance

The heatSava has been designed to allow easy installation into an existing wall sleeve which is located near the ceiling. When core drilling into an existing wall, make sure you have enough space to move around and distance between the wall and any objects nearby i.e cupboards (Fig.5).

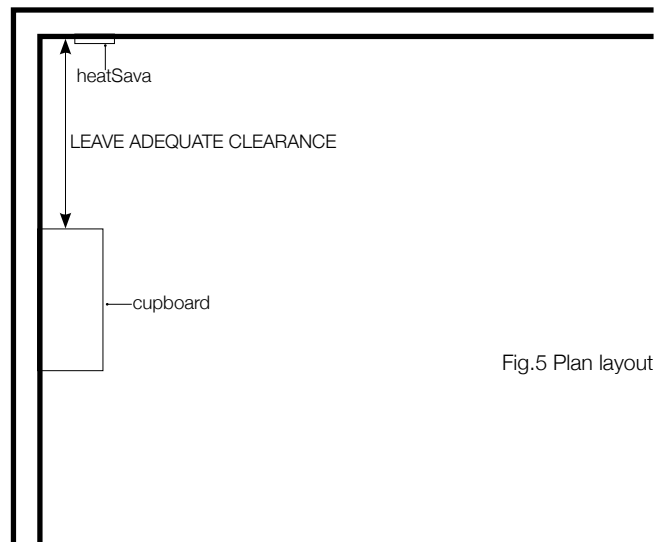


Fig.5 Plan layout

Ensure the unit is sited in a suitable position for adequate clearance on all sides for easy access to the unit for maintenance purposes and to ensure that access to the release clips on the front cover is not inhibited.

07 Pre-Installation

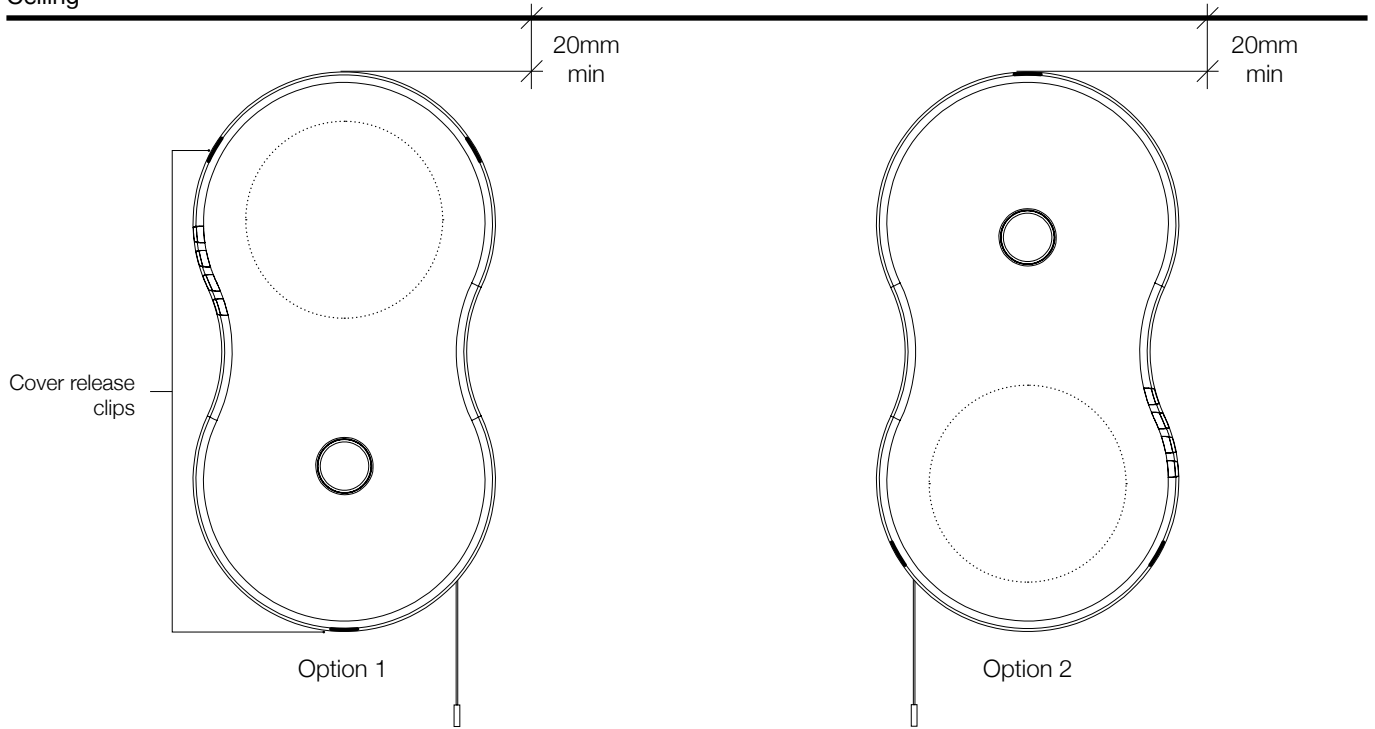
Clearance

First measure the wall depth.

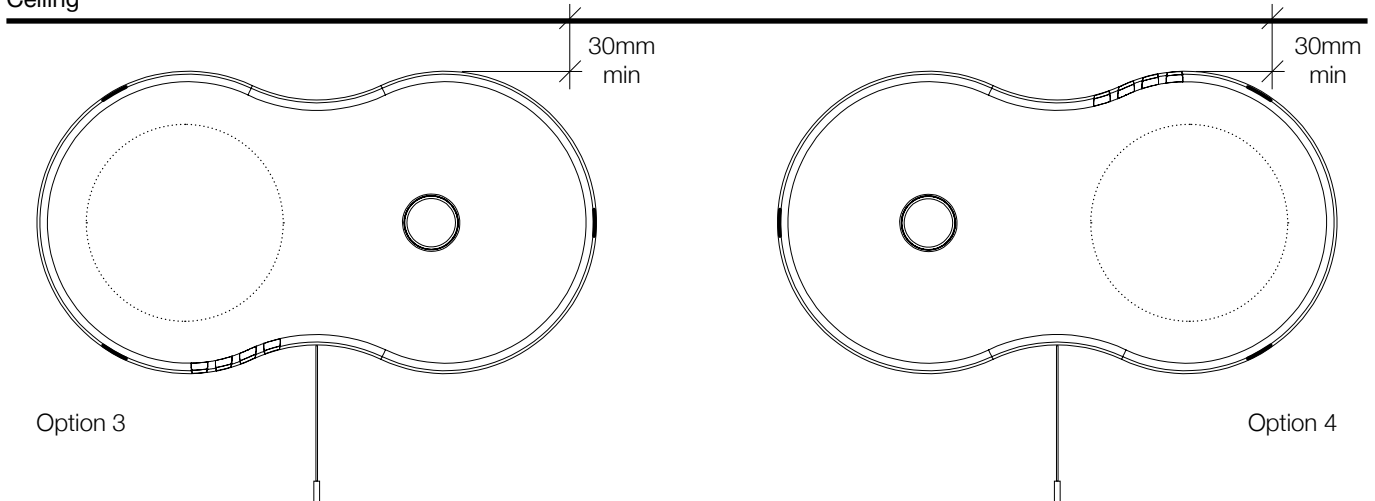
If installing into a new build application, we recommend that the unit should be installed in the position below (option 1). If installing into an existing wall sleeve which is located near to the ceiling, the heatSava can be installed horizontally or vertically (options 2-4).

! The first step in the installation process is to check the wall depth on the property to determine what type of install is required. Please read clearance section carefully before determining the inversion and cell size suitable for the unit.

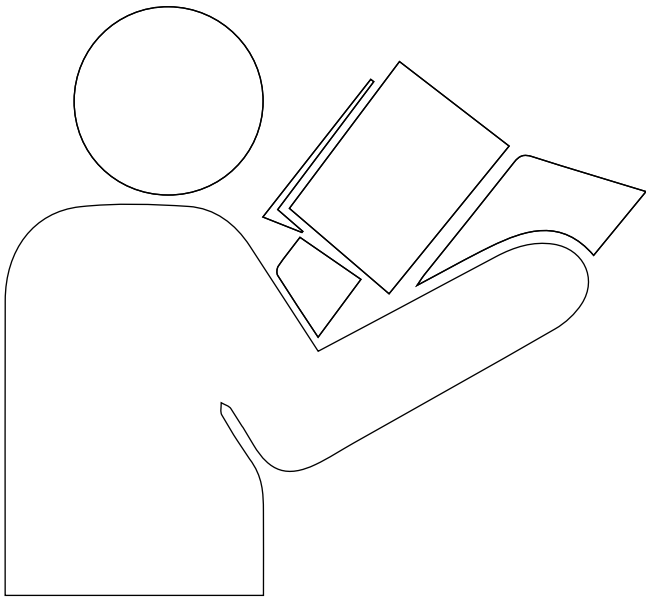
Ceiling



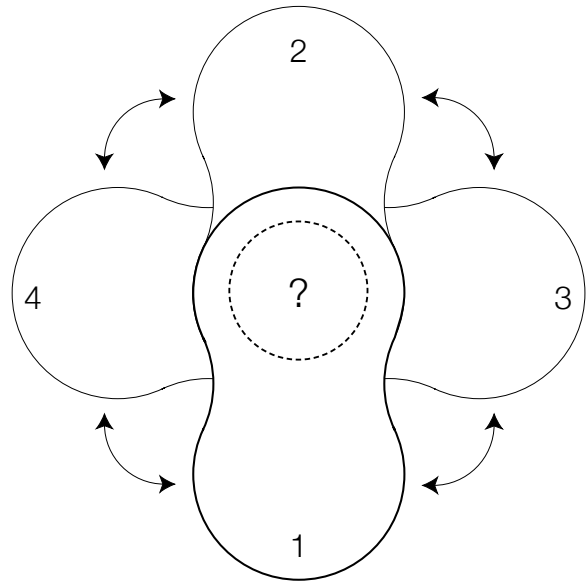
Ceiling



08 Installation



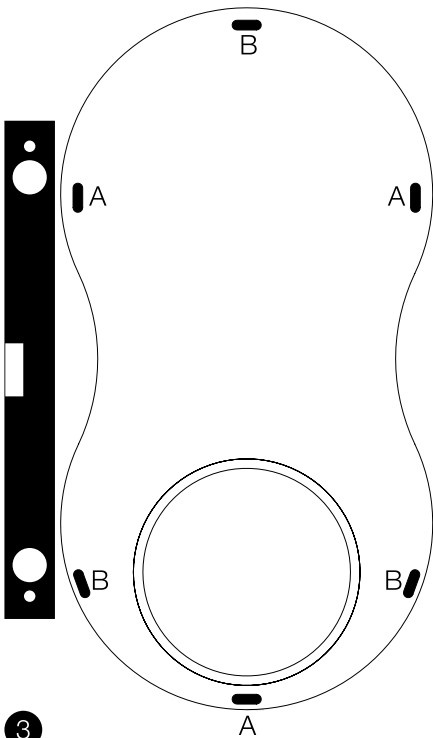
1 Read instructions



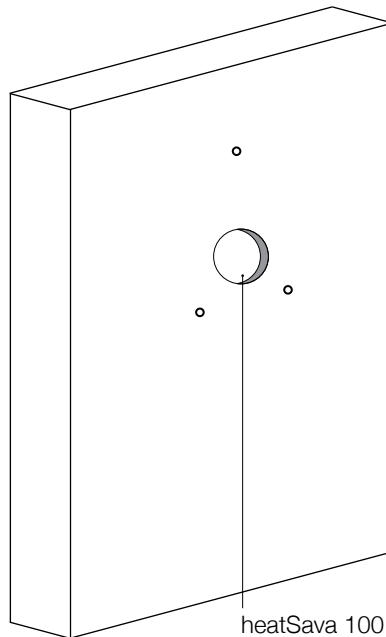
2 Check orientation

OPTION B - For OPTION A, go to page 21.

- For quick and easy installation use 3 x holes marked 'B'.
- If the fixing surface is of poor quality and holes 'B' cannot be used, then use holes 'A'.
- To access holes 'A' the unit needs to be disassembled.



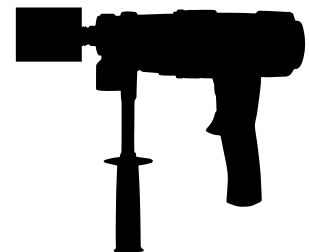
3



heatSava 100 or 150?
107mm, 117mm, 158mm, 162mm?
See pages 15-17 for seal or sleeve installation

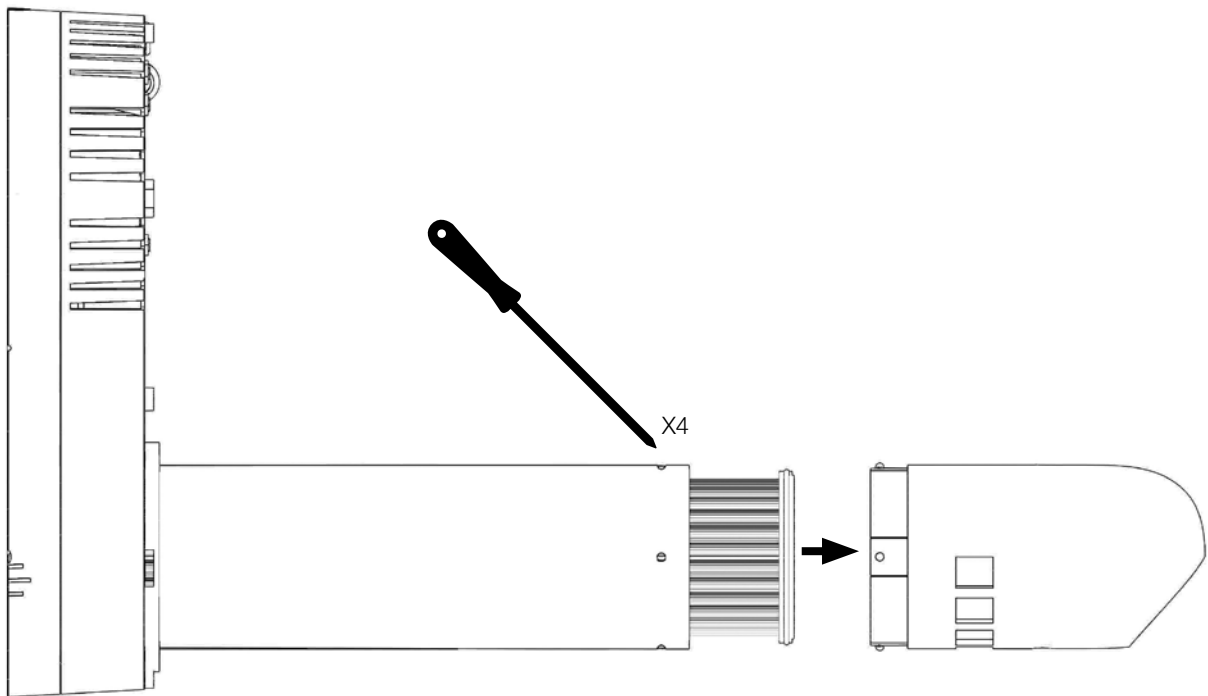
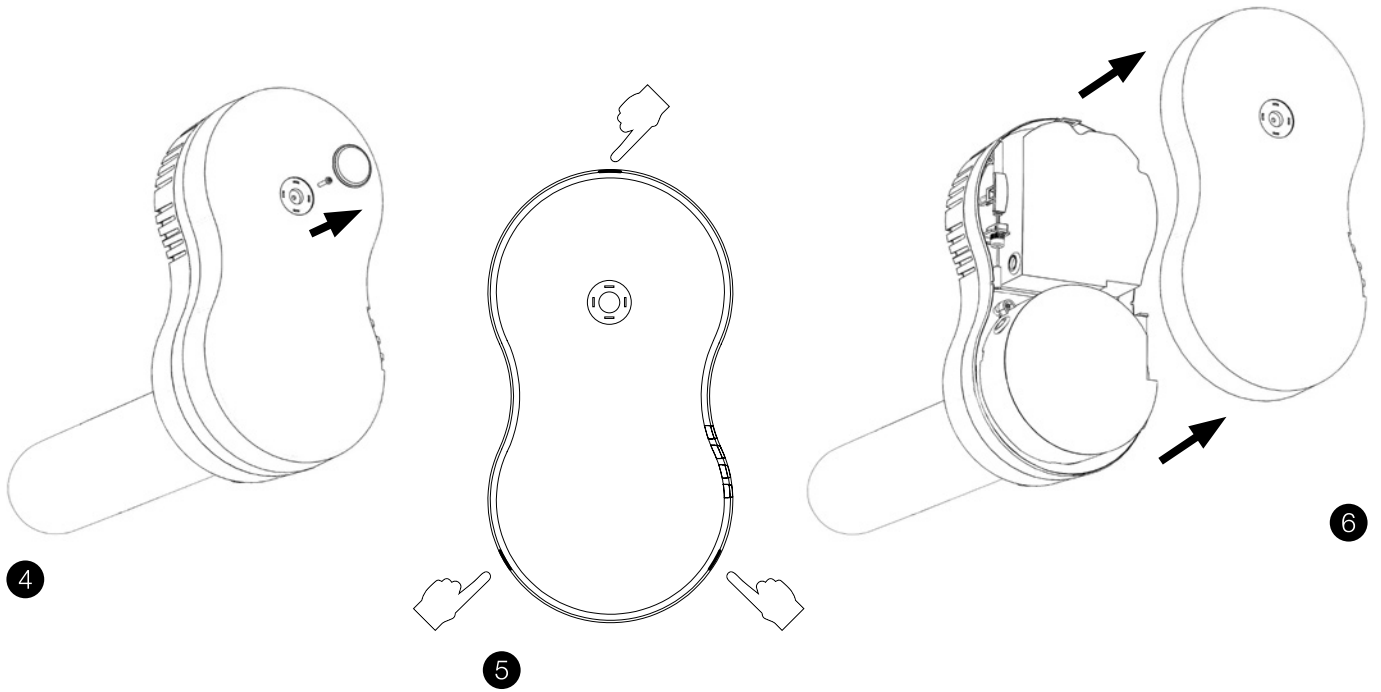


X3



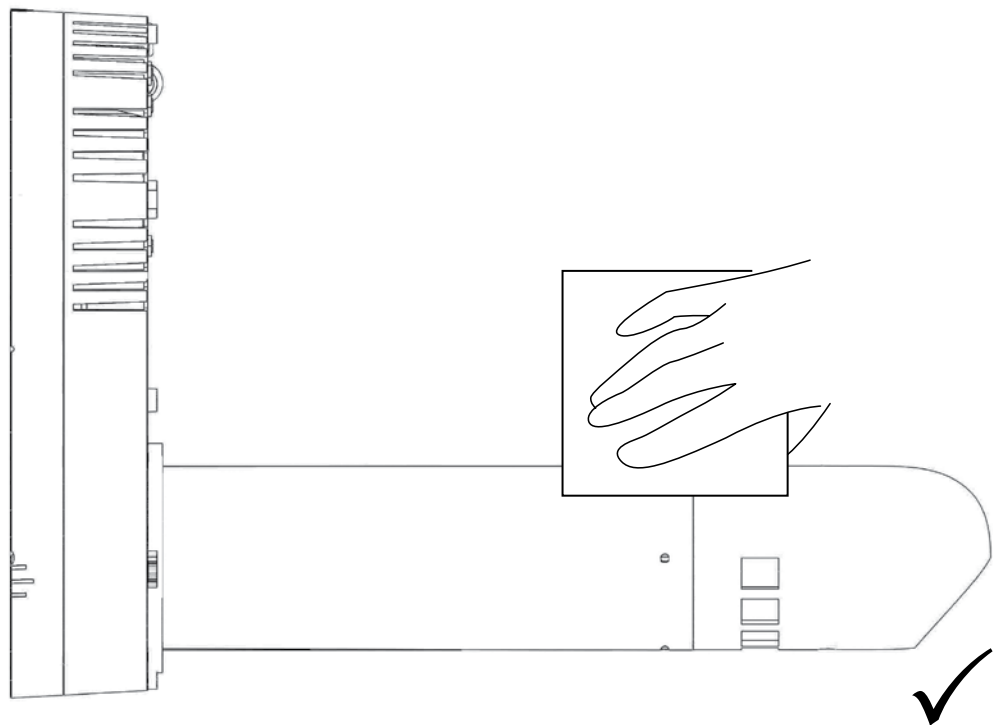
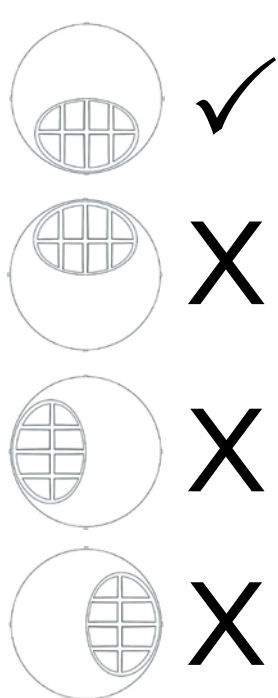
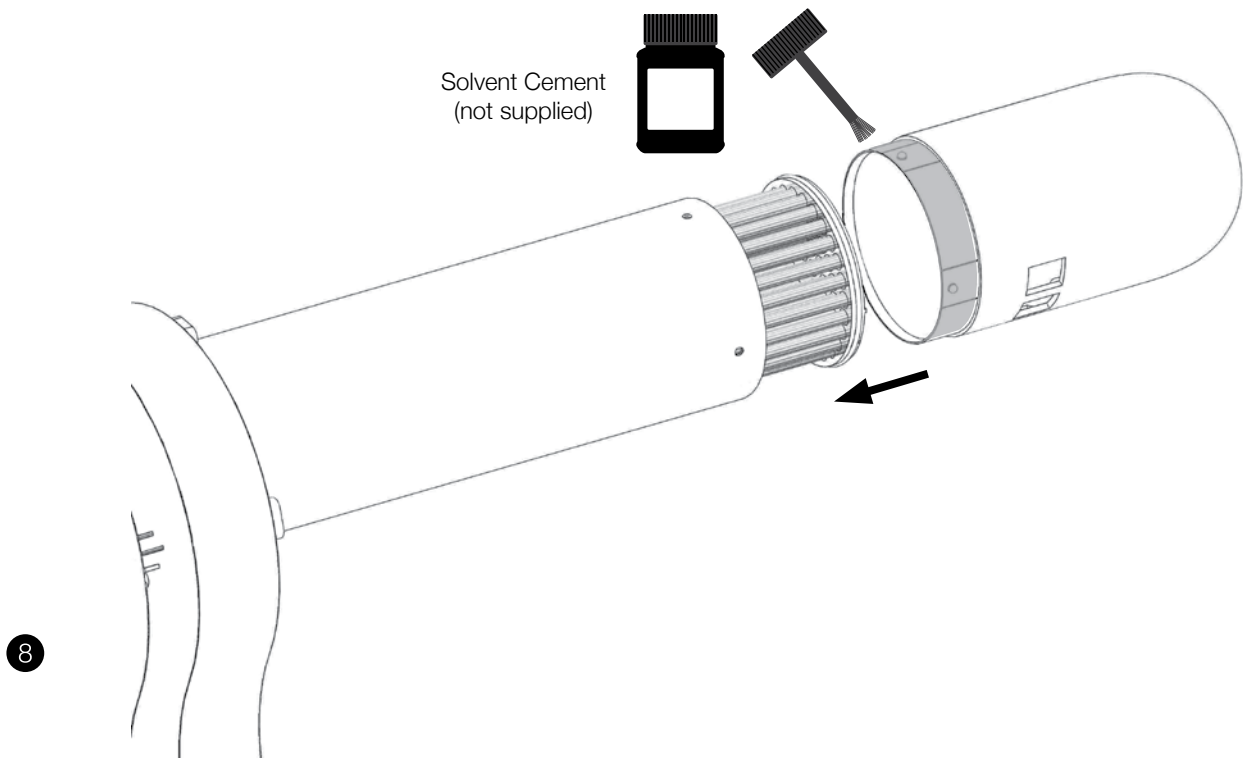
AFTER INSTALLING THIS UNIT PLEASE PASS ON TO END USER
DO NOT THROW AWAY

08 Installation



7

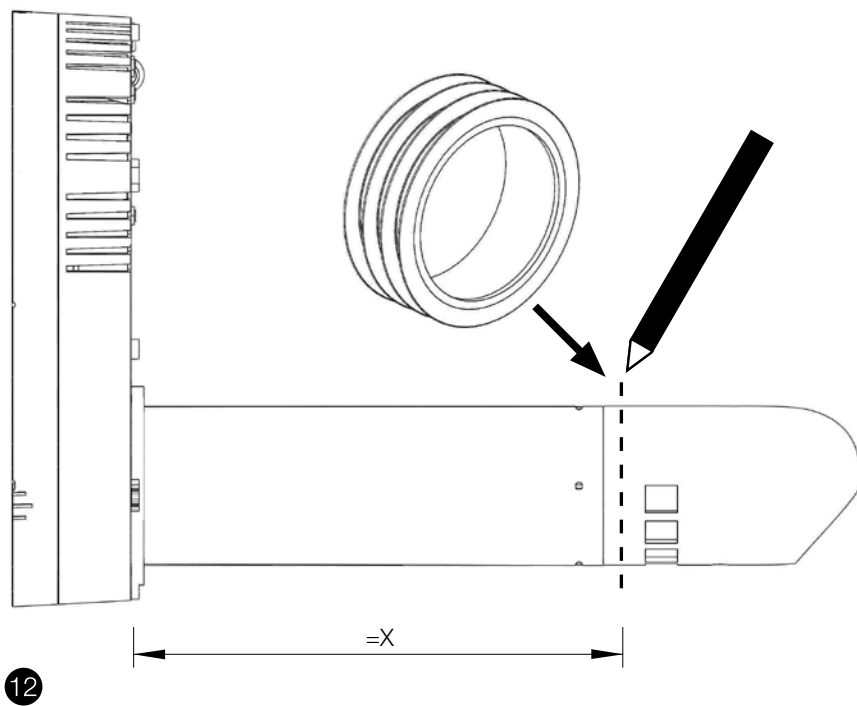
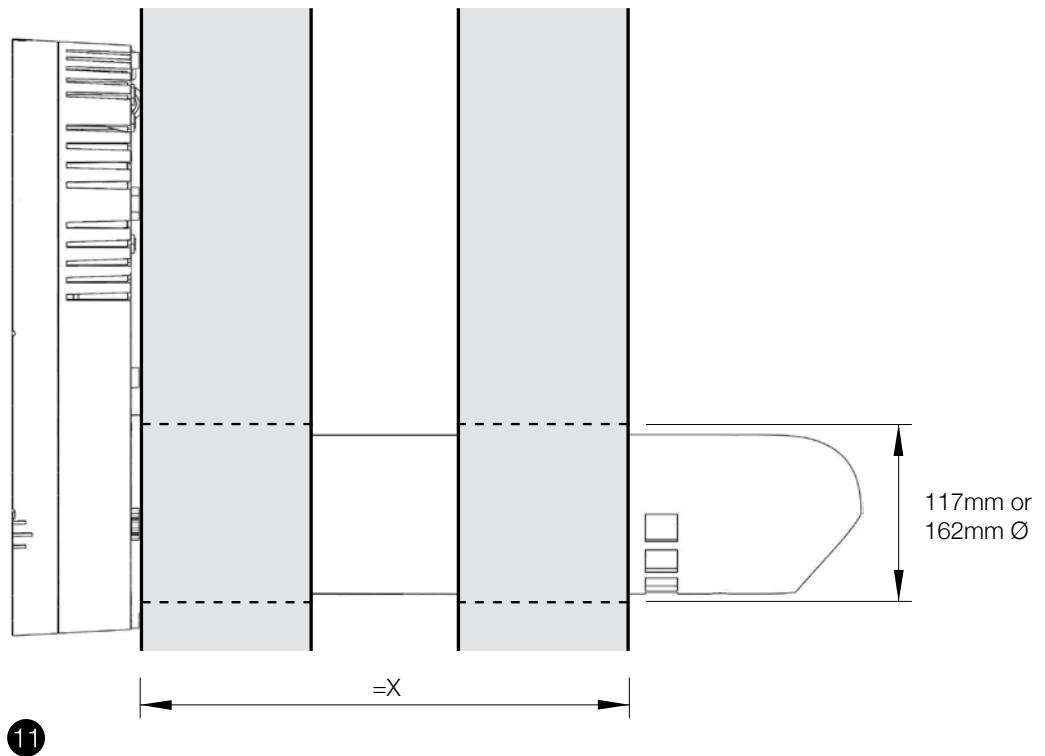
08 Installation



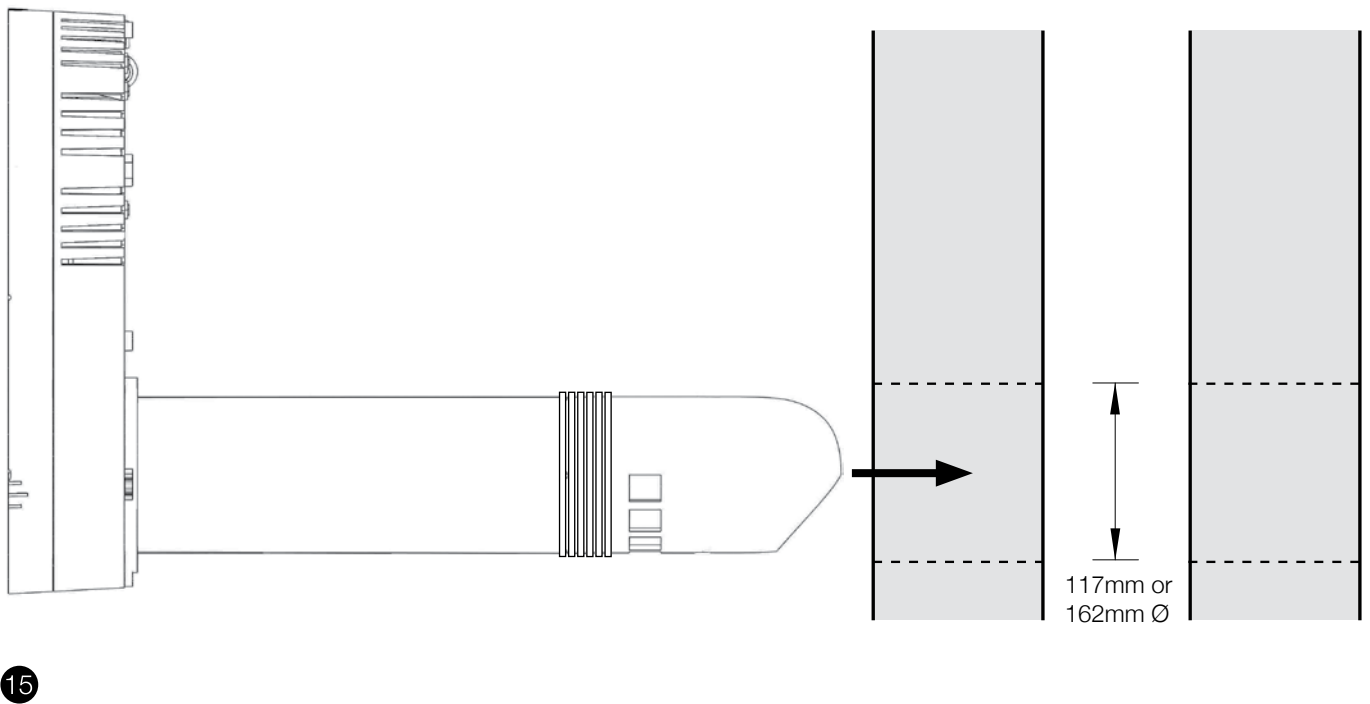
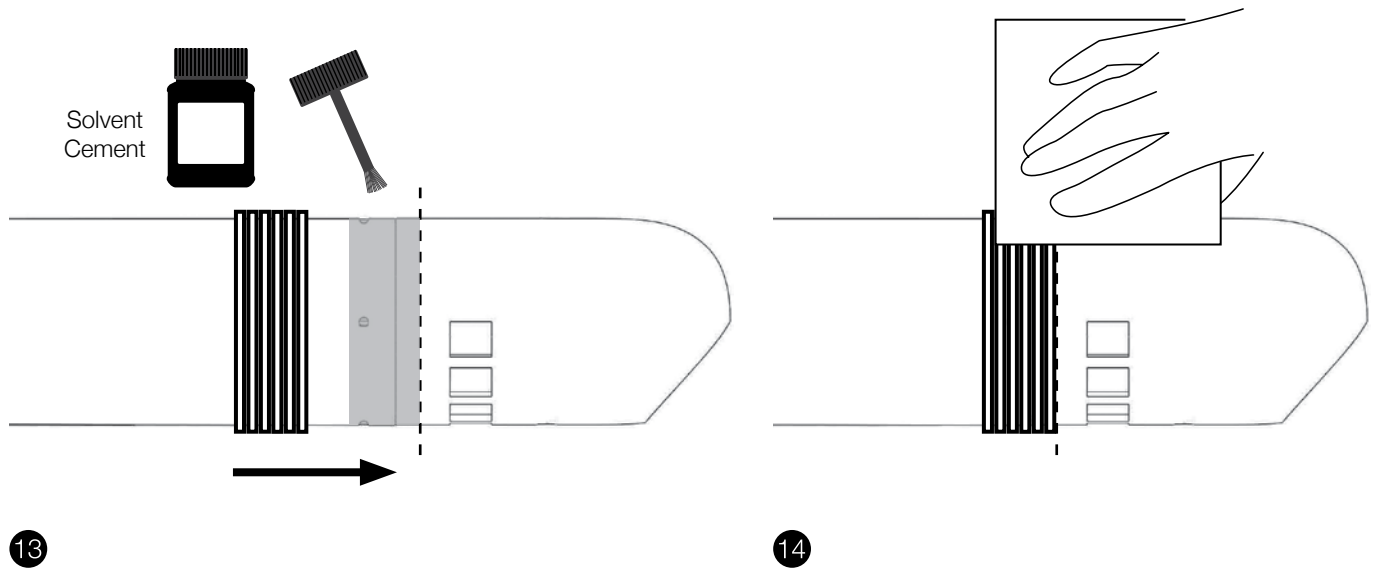
AFTER INSTALLING THIS UNIT PLEASE PASS ONTO END USER
DO NOT THROW AWAY

08 Installation

Rubber Wall Seal - Choose rubber wall seal or wall sleeve installation.



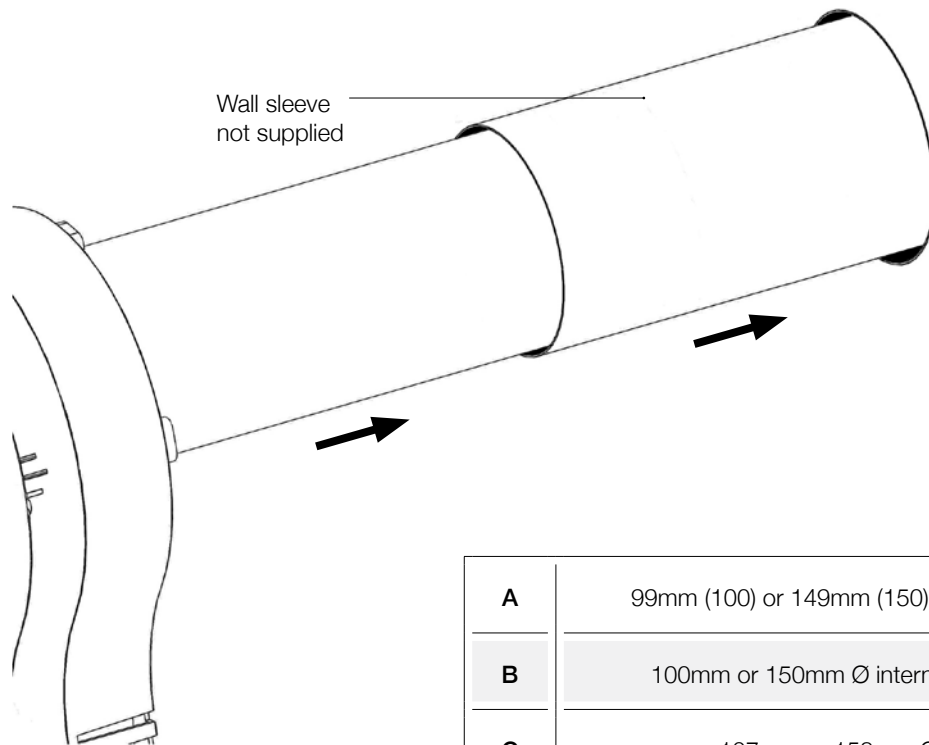
08 Installation



AFTER INSTALLING THIS UNIT PLEASE PASS ONTO END USER
DO NOT THROW AWAY

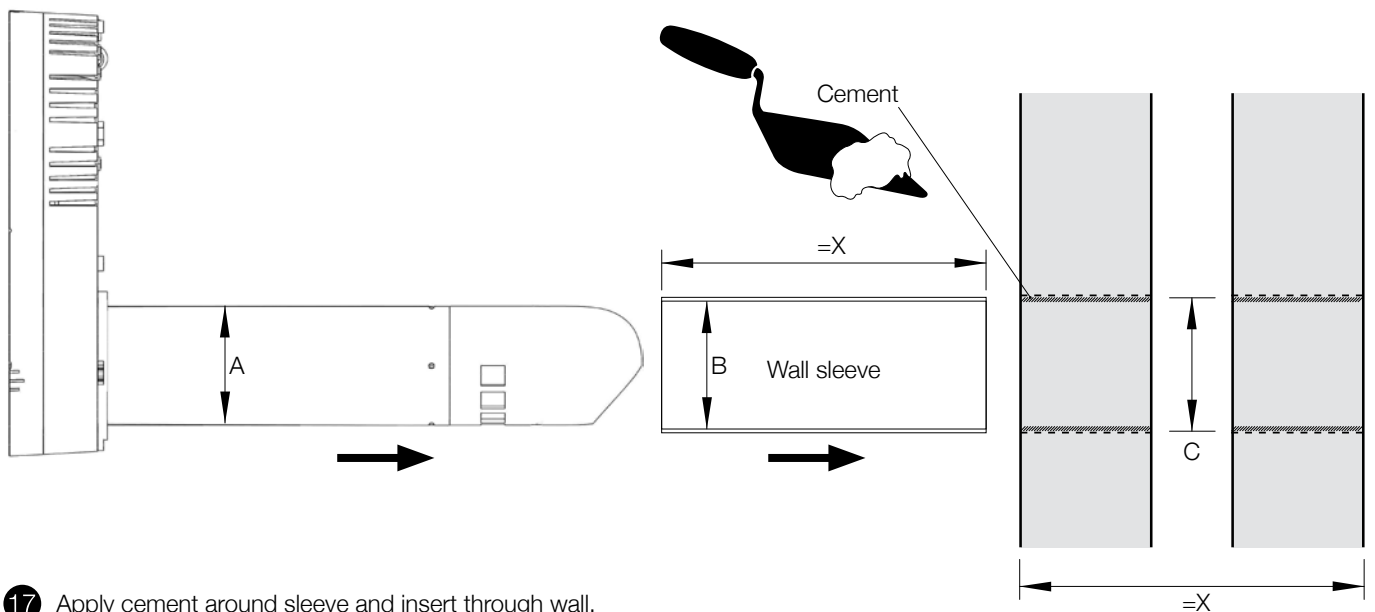
08 Installation

Wall Sleeve



16 Use existing sleeve or insert new sleeve into wall.

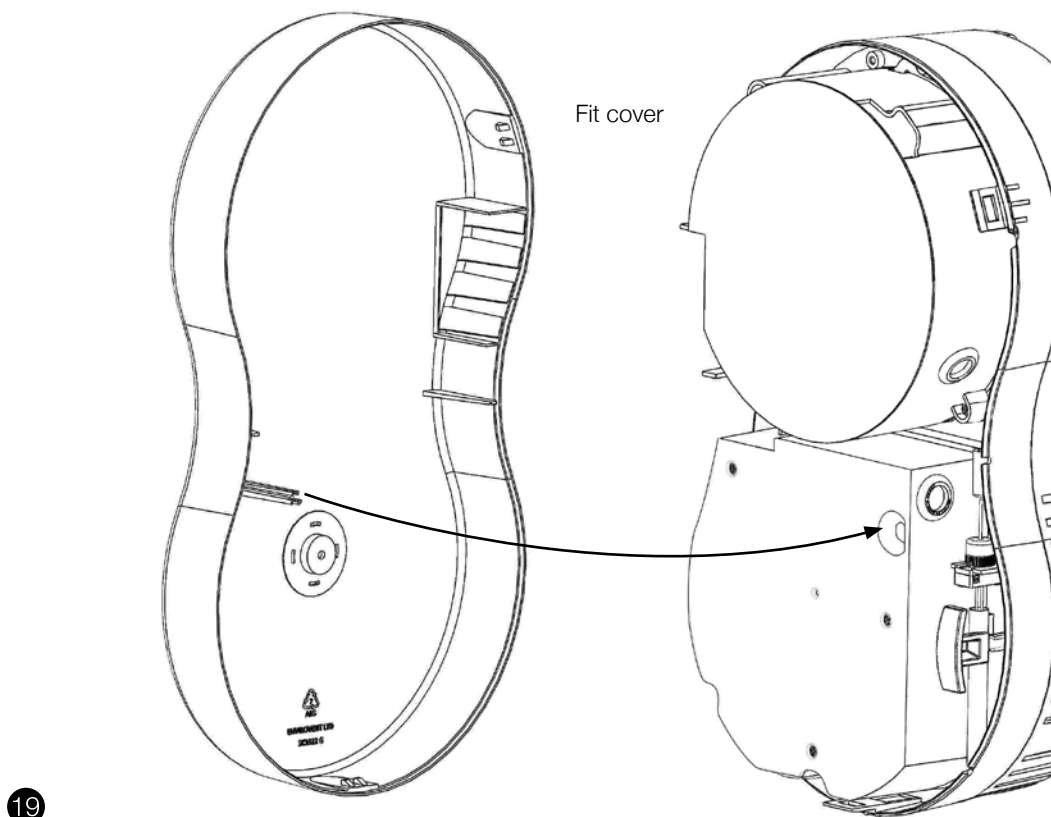
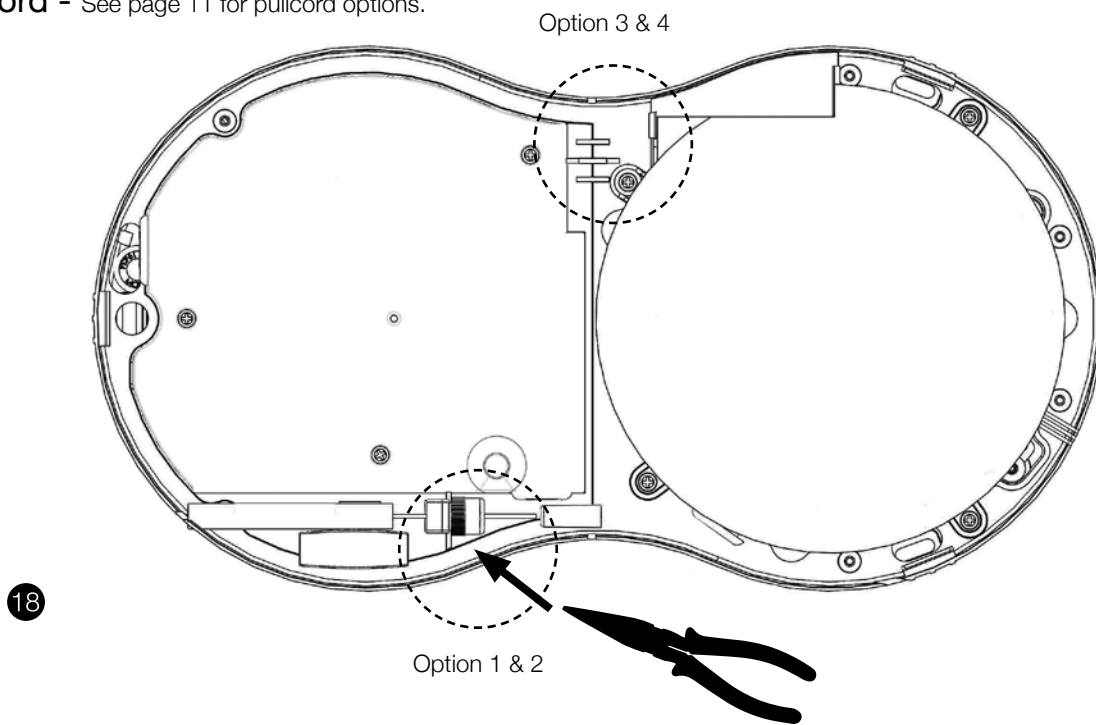
A	99mm (100) or 149mm (150) Ø overall
B	100mm or 150mm Ø internal (min)
C	107mm or 158mm Ø
X	X



17 Apply cement around sleeve and insert through wall.

08 Installation

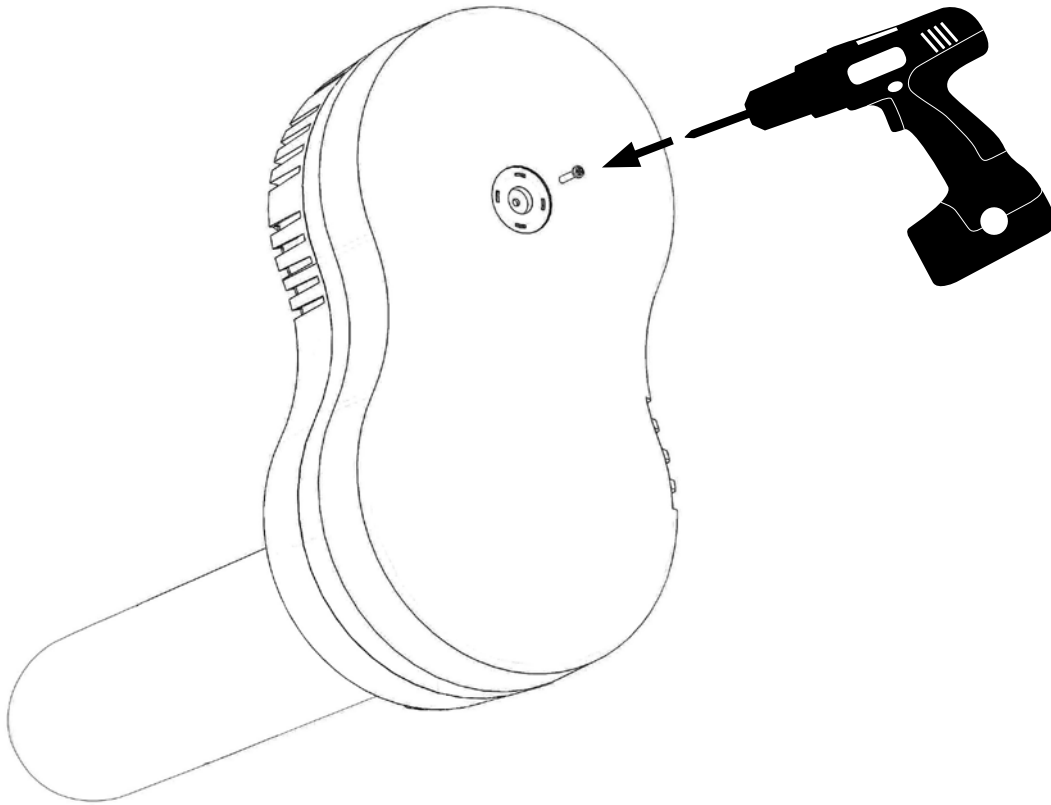
Pullcord - See page 11 for pullcord options.



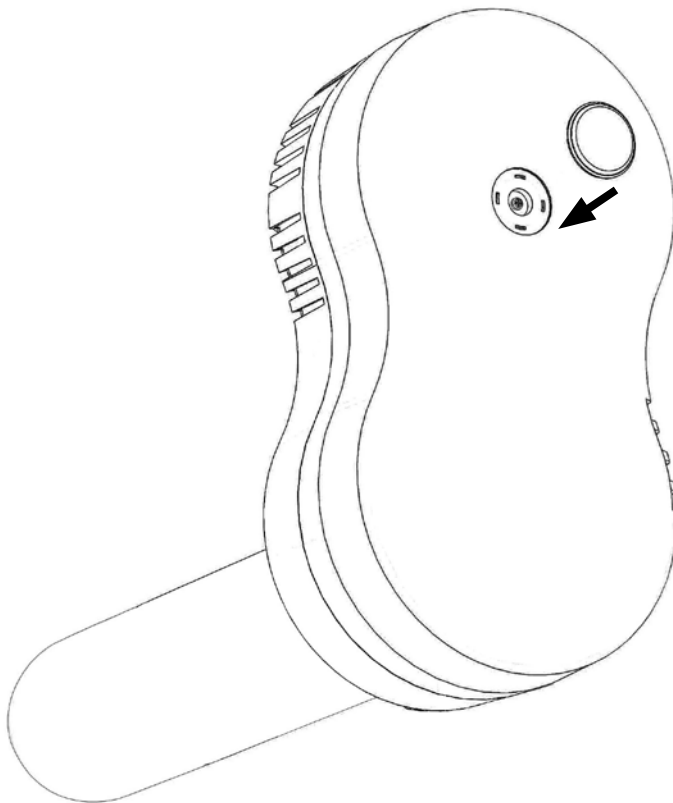
AFTER INSTALLING THIS UNIT PLEASE PASS ONTO END USER
DO NOT THROW AWAY

08 Installation

20

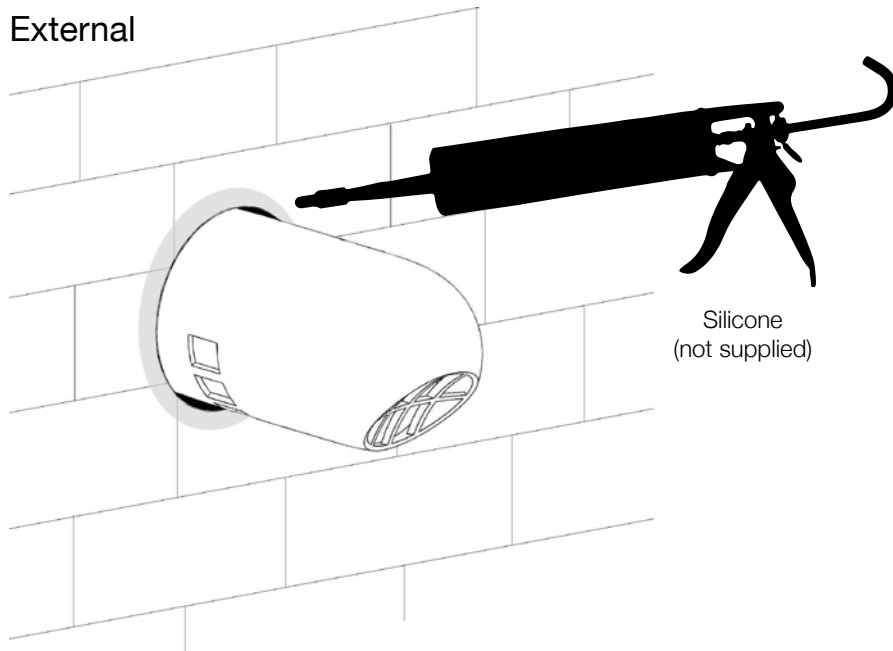


21

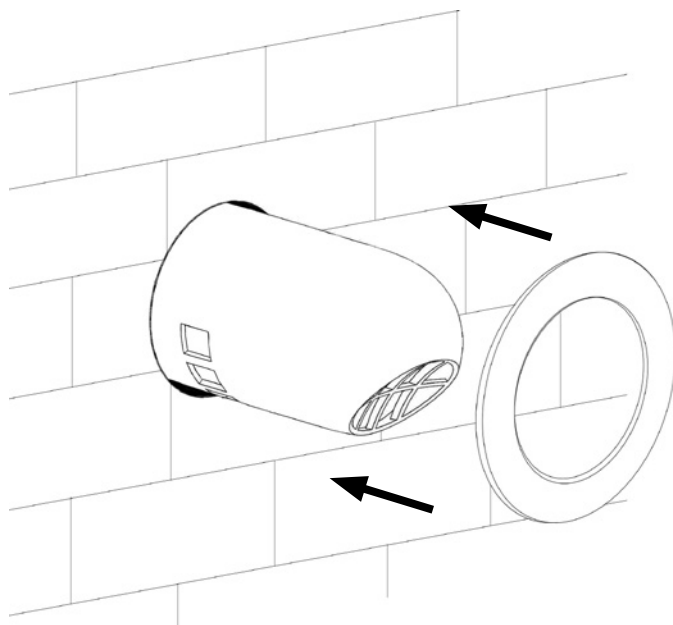


08 Installation

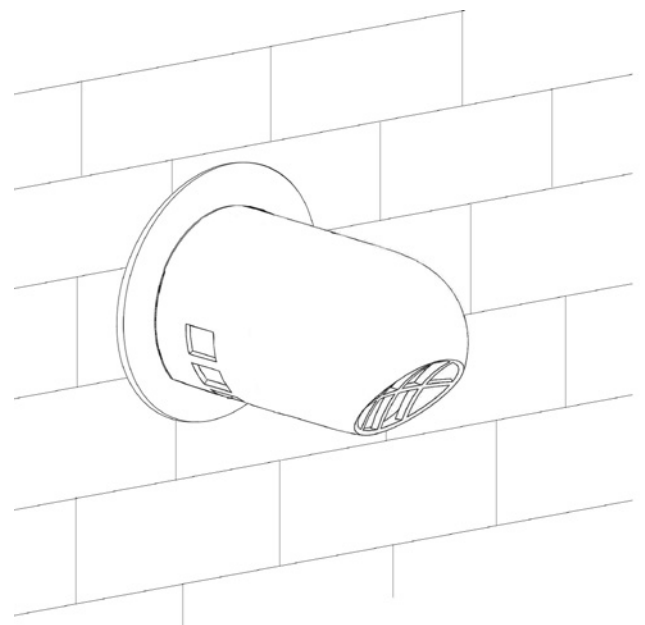
External



22



23

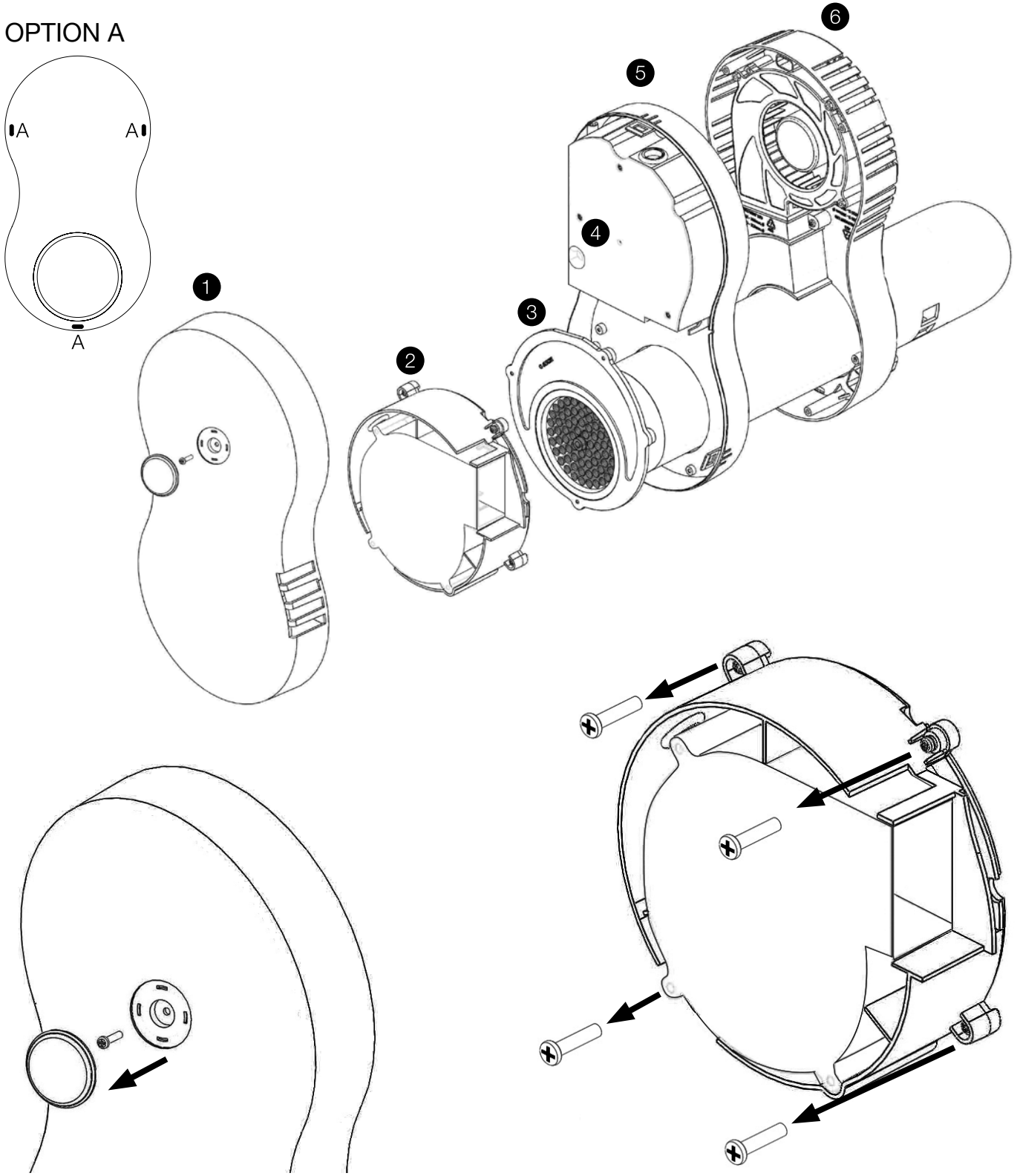


24

AFTER INSTALLING THIS UNIT PLEASE PASS ON TO END USER
DO NOT THROW AWAY

08 Installation

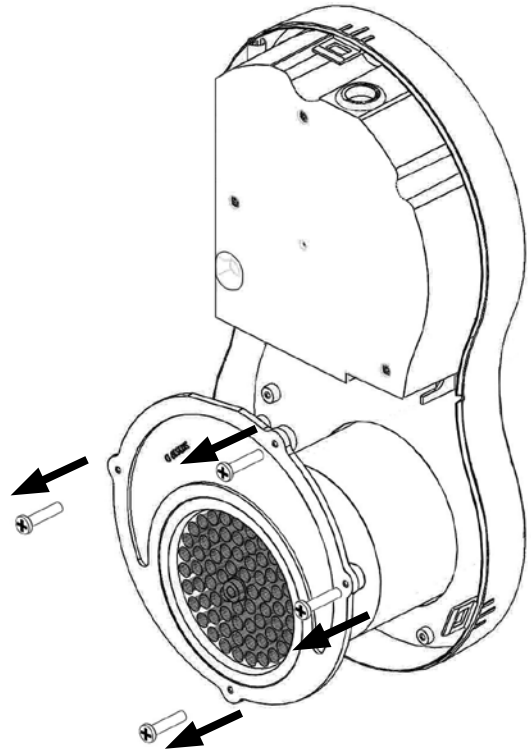
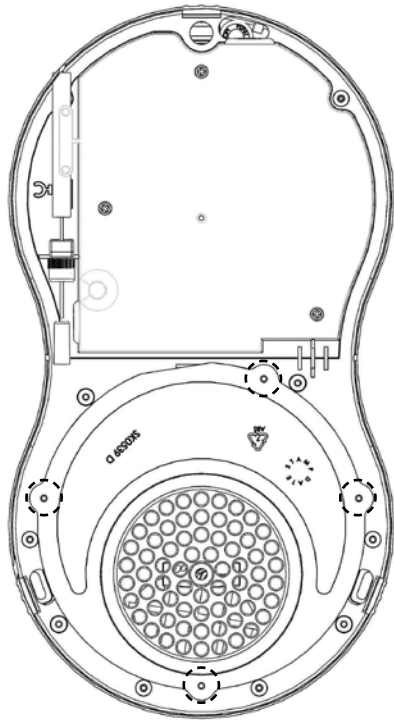
OPTION A



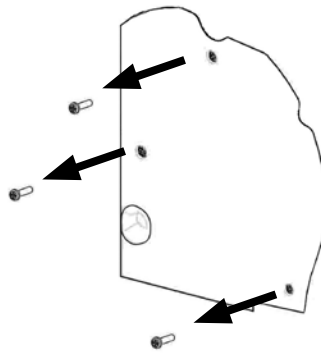
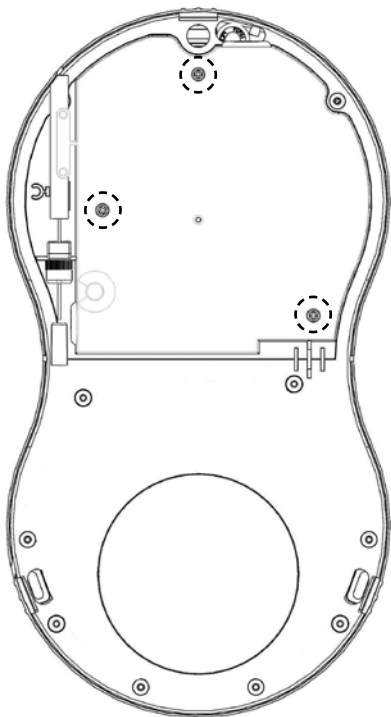
1 Front assembly: Remove badge and screw

2 Fan adaptor: Remove 4 screws

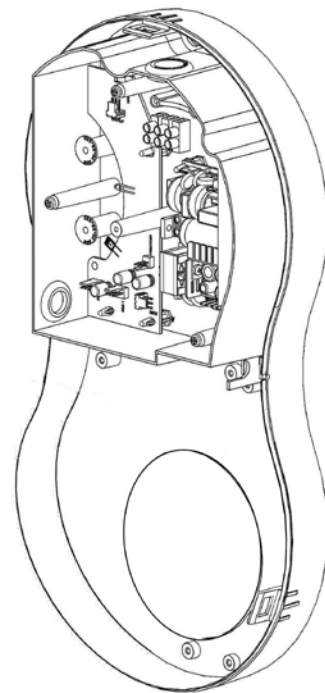
08 Installation



3 Cell assembly: Remove 4 screws

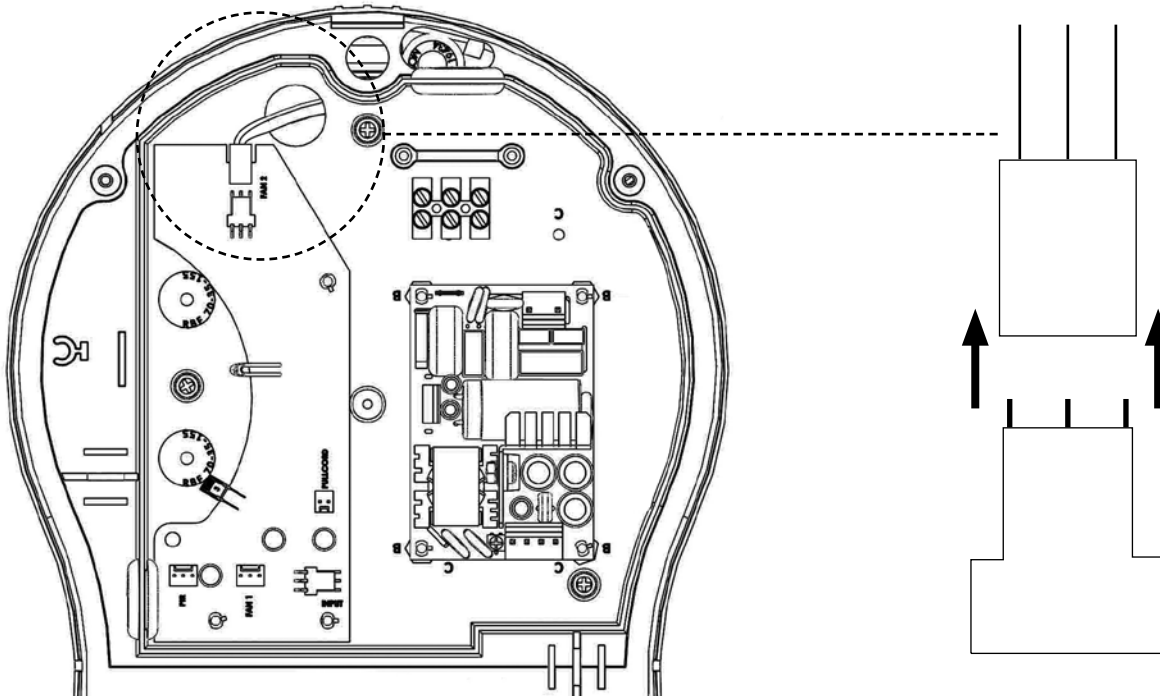


4 Electronics lid: Remove 3 screws

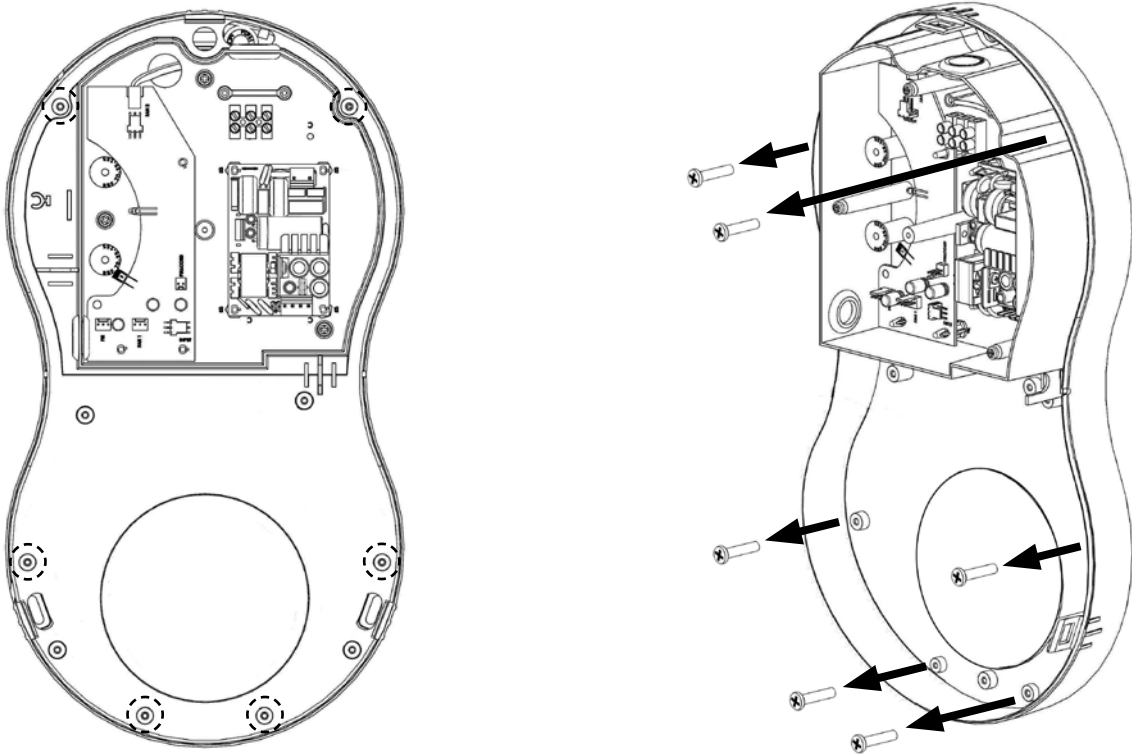


AFTER INSTALLING THIS UNIT PLEASE PASS ON TO END USER
DO NOT THROW AWAY

08 Installation

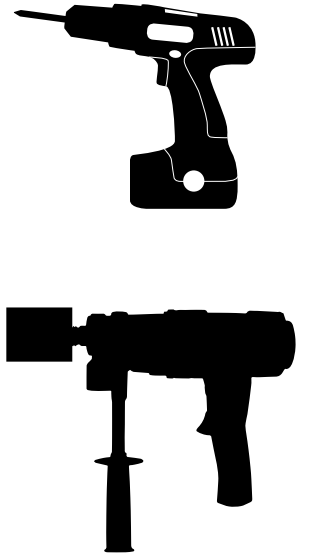
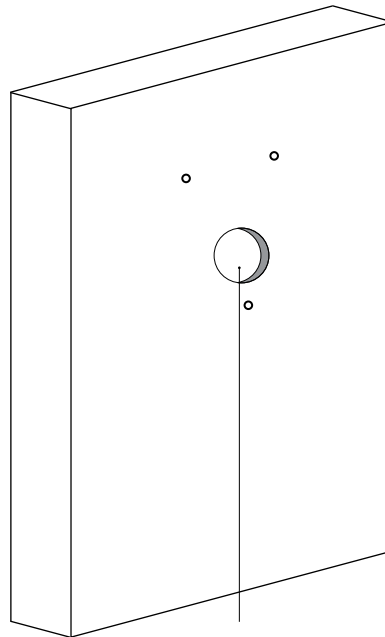
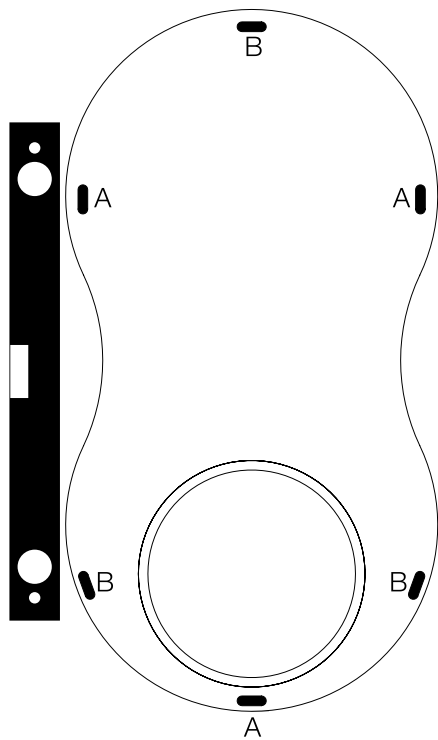


5 Disconnect fan



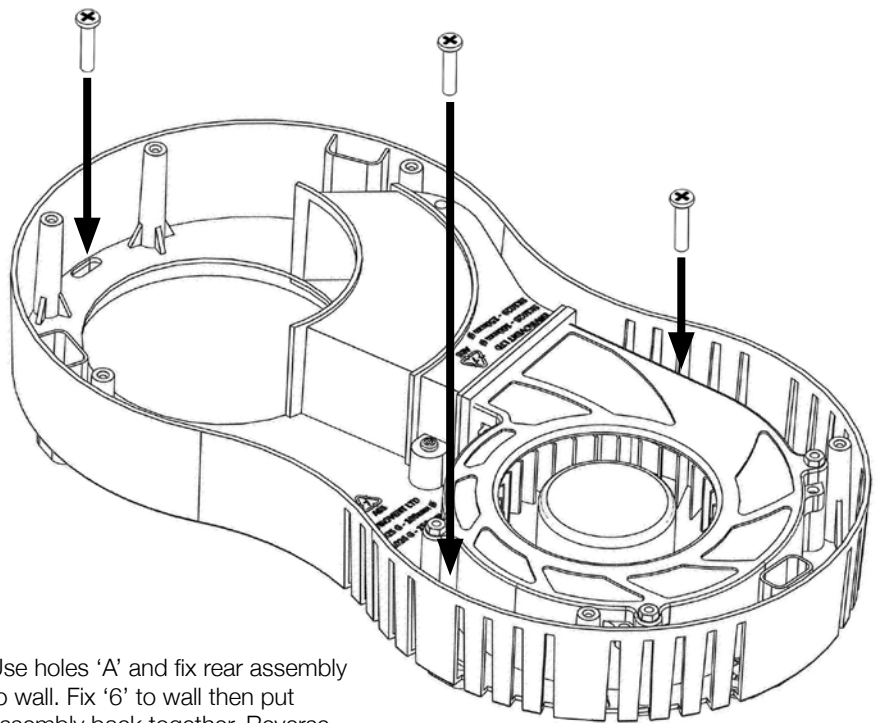
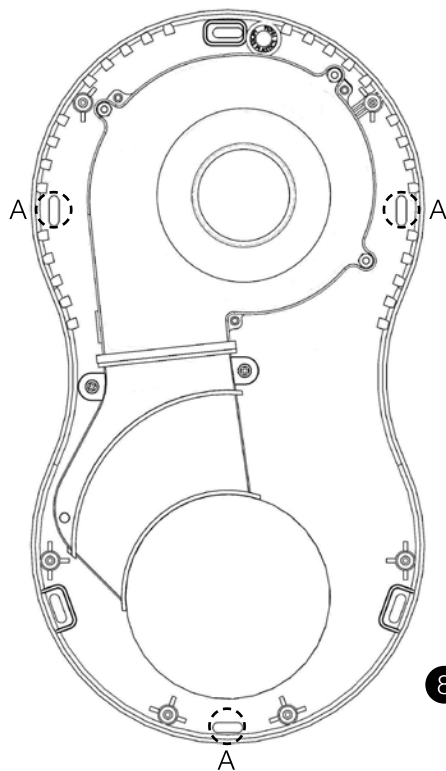
6 Centre assembly: Remove 6 screws

08 Installation



7 Drill holes 'A'.

heatSava 100 or 150?
107mm, 117mm, 158mm, 162mm?
See pages 15-17 for seal or sleeve installation



8 Use holes 'A' and fix rear assembly to wall. Fix '6' to wall then put assembly back together. Reverse steps 7-24 from page 13

AFTER INSTALLING THIS UNIT PLEASE PASS ONTO END USER
DO NOT THROW AWAY

09 Cleaning & Maintenance

! WARNING

Before carrying out any maintenance on the unit, be sure to isolate the mains power. Any replacement cords and all maintenance work have to be carried out by a competent tradesperson.

Cleaning and maintenance shall not be made by children without supervision and the unit has to be switched off.

Cleaning

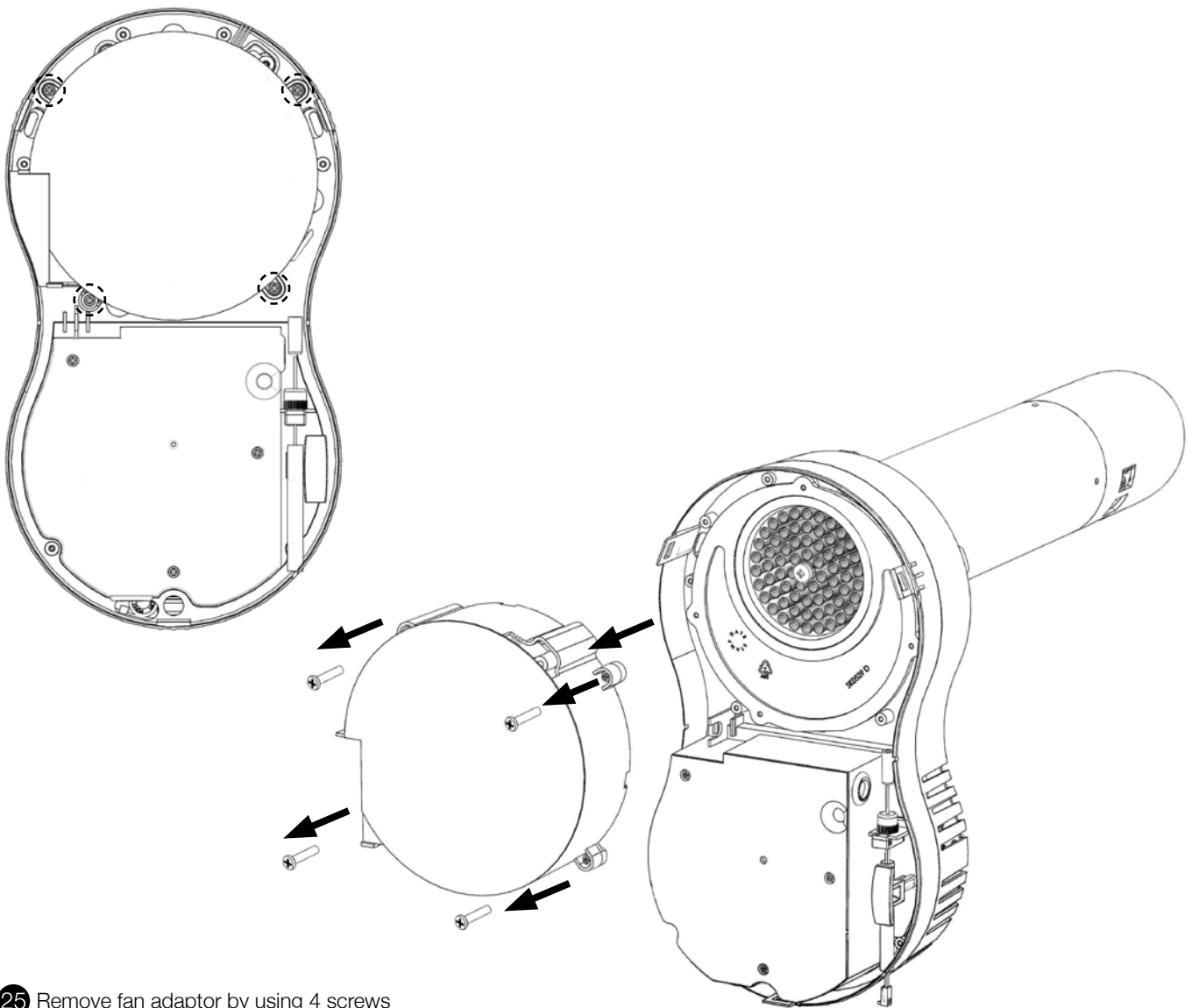
General cleaning of the vents and cells should be every 6 months max, or as required, as environments will vary.

Service Maintenance Intervals

General maintenance should ideally take place every 12 months and should be carried out only by a competent tradesperson adhering to the instructions.

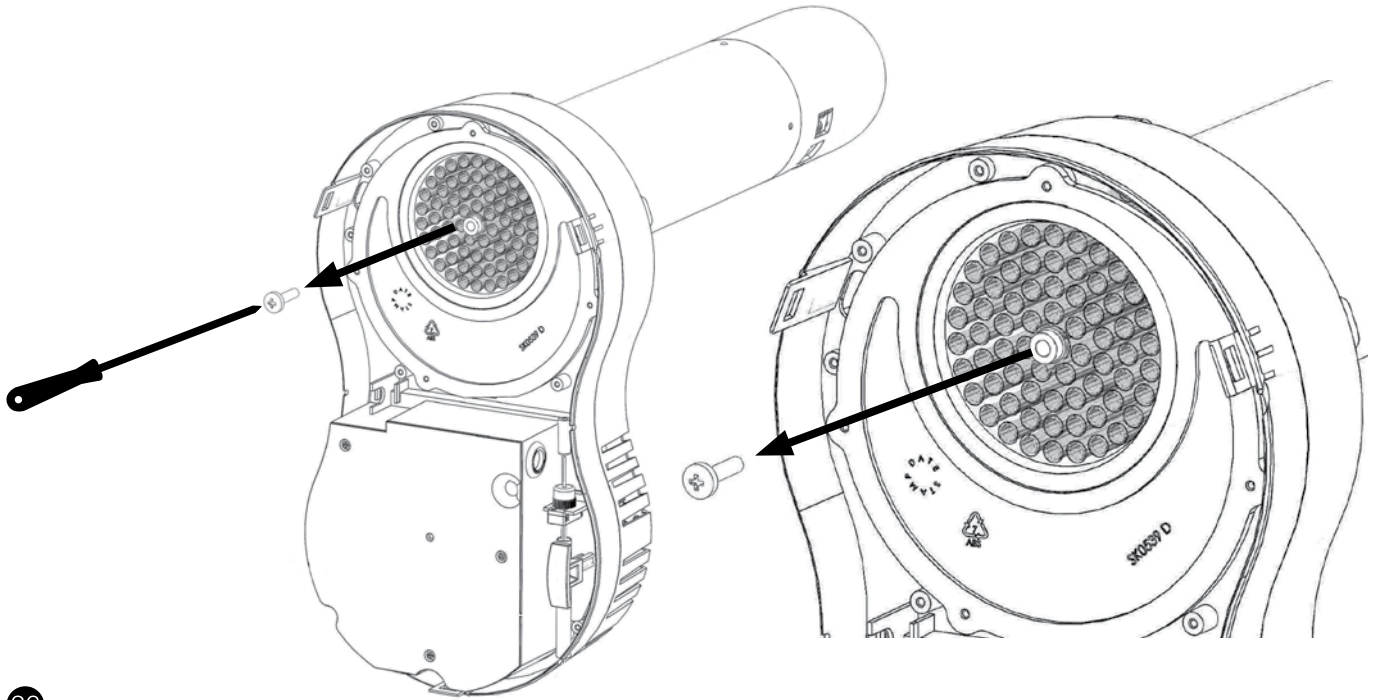
5 Year Service

The heat exchange cell and all components and parts should be inspected every 5 years.

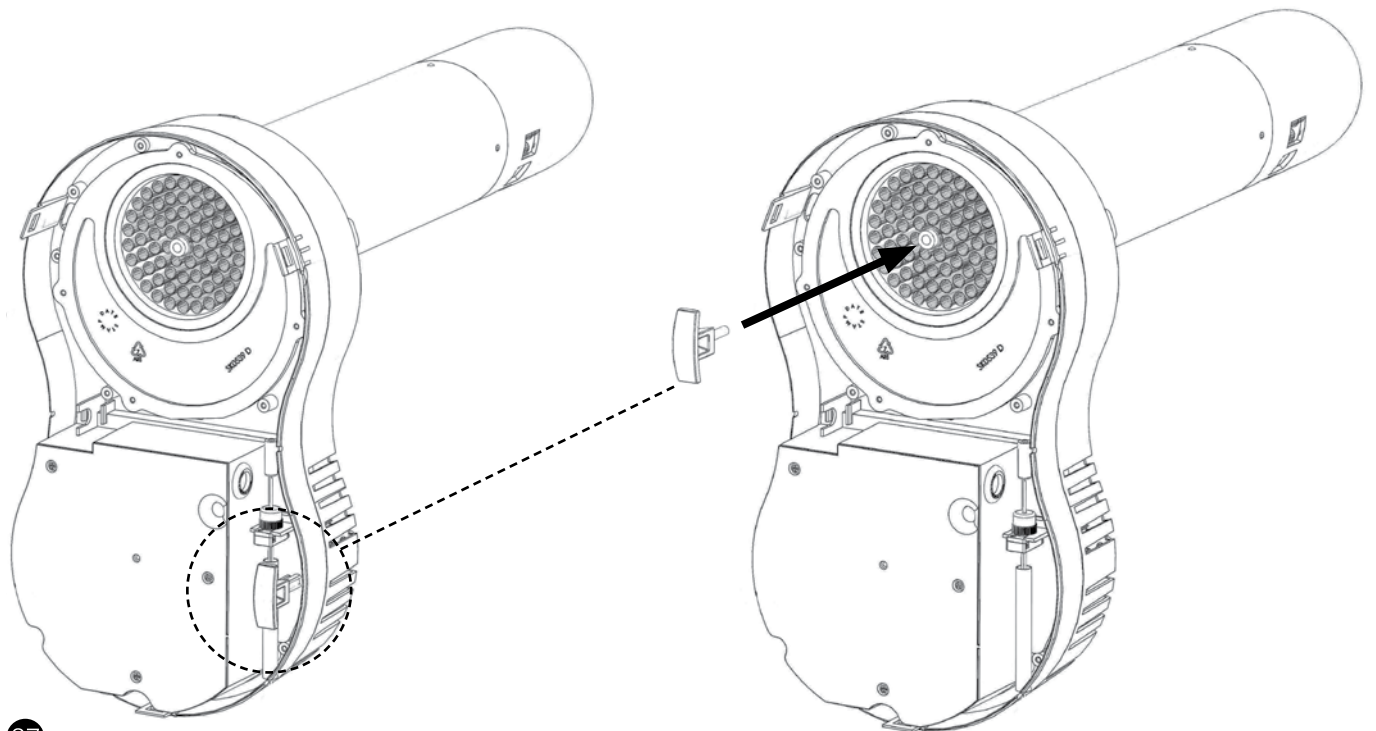


25 Remove fan adaptor by using 4 screws

09 Cleaning & Maintenance



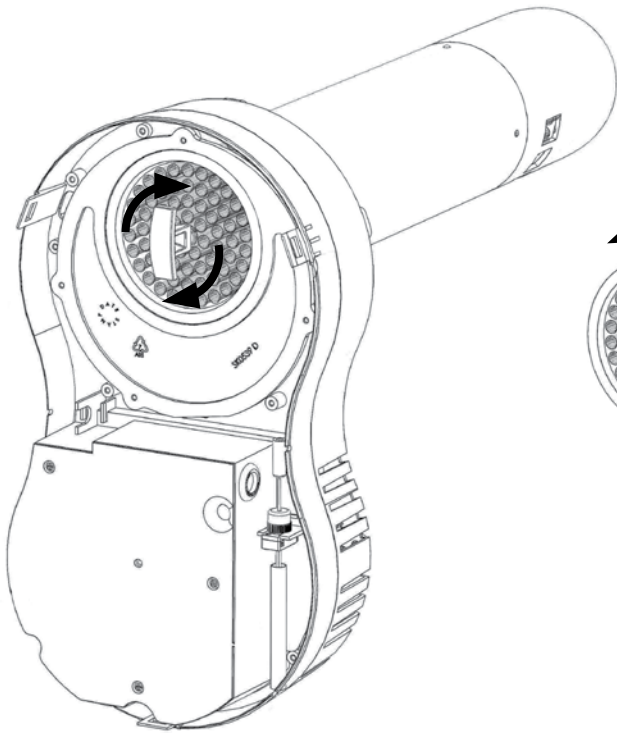
26



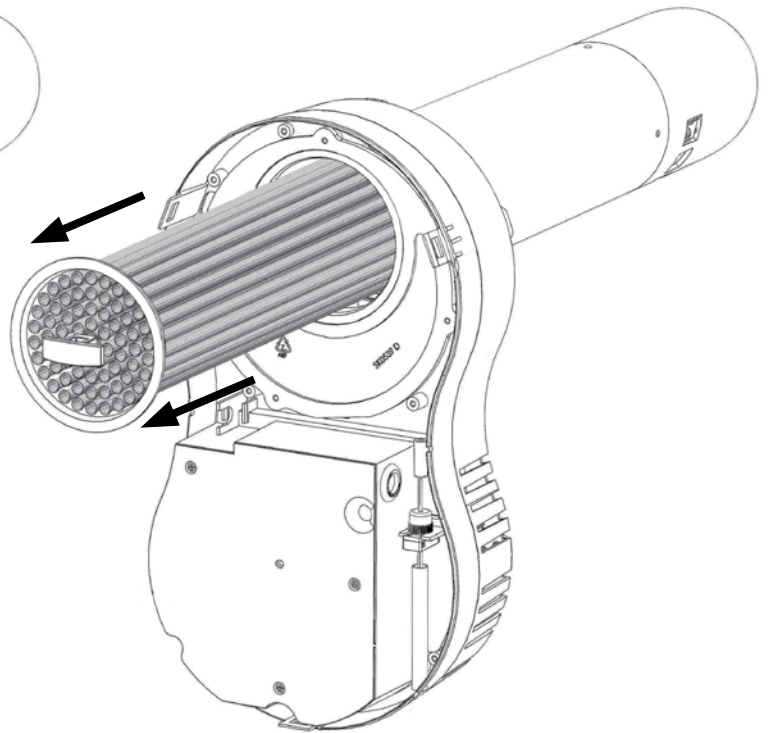
27

AFTER INSTALLING THIS UNIT PLEASE PASS ON TO END USER
DO NOT THROW AWAY

09 Cleaning & Maintenance



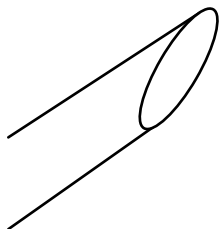
28



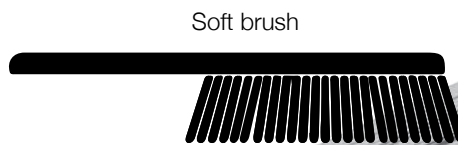
29



Vacuum

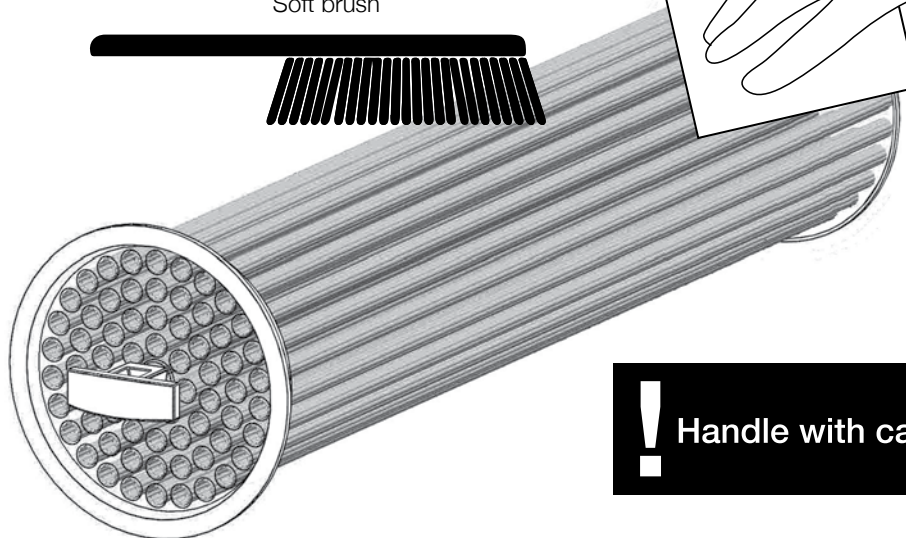
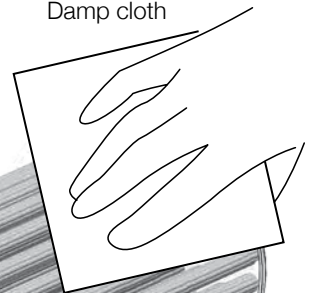


30



Soft brush

Damp cloth



! Handle with care

10 Guarantee

The EnviroVent heatSava is covered by a full 5 year warranty which will benefit the occupier over many years.

What should I do if I have a problem?

If, after thoroughly reading this booklet, you feel that your heatSava is not working correctly, you can telephone 0845 27 27 810 (operational from 8:00am to 5:30pm Monday to Friday), and ask for technical assistance. You will either be given guidance over the telephone, or an arrangement will be made for an engineer to visit. In any event, please have the following information ready. This will enable your call to be dealt with quickly and efficiently.

Serial number of the unit:

11 Warranty

We appreciate you choosing this quality EnviroVent product, which is designed and manufactured to the highest specification in Harrogate, North Yorkshire. We are confident that you will be delighted with the performance of the system and the resulting improvement in air quality in your home after the installation of the unit.

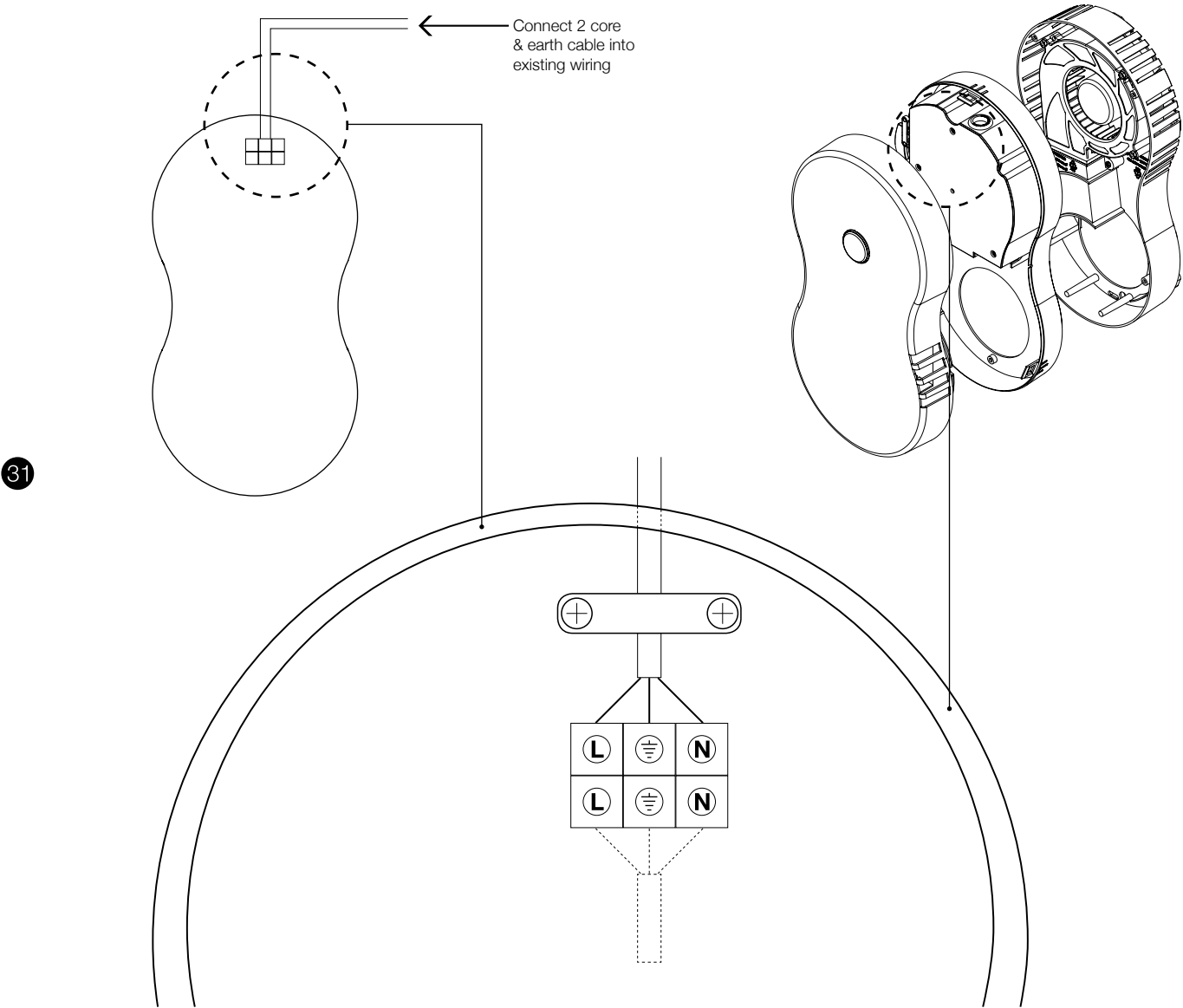
Your warranty covers any defect or break down that arises due to faulty materials or construction.

WARRANTY CONDITIONS AND EXCLUSIONS

- The system must be correctly installed and operated according to the instructions contained in the user guide supplied.
- The warranty will be rendered invalid if the system has been serviced, maintained, repaired, taken apart or tampered with by any person not authorised by EnviroVent Ltd.
- The warranty will be rendered invalid if the unit is turned off. Turning the unit off can damage it.
- The warranty does not cover accidental damage, misuse or abuse.
- The warranty is in addition to your statutory or legal rights.
- The guarantee will only be honoured from approved suppliers.

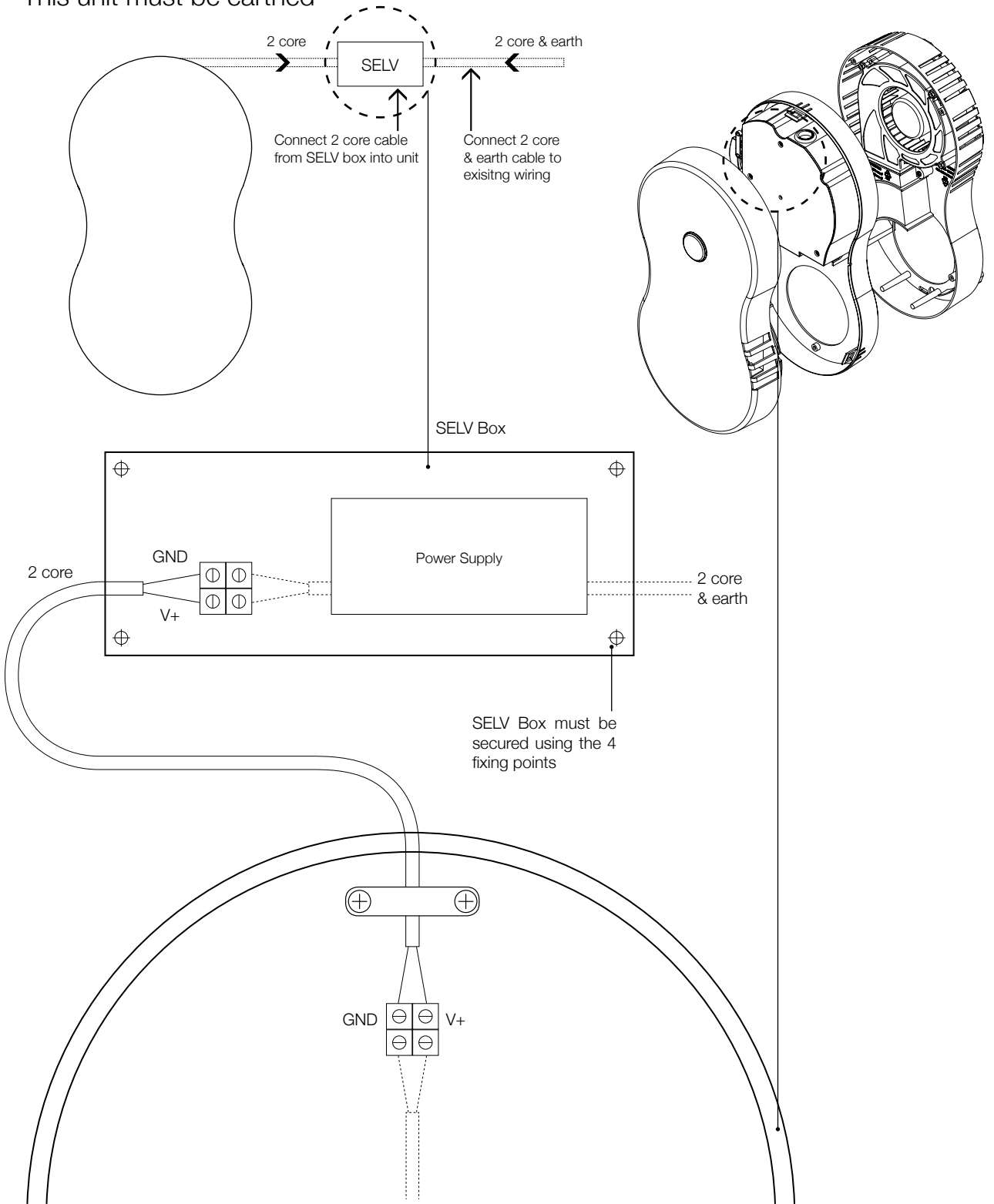
12 Wiring Diagrams

Mains - This unit must be earthed



12 Wiring Diagrams

SELV - This unit must be earthed



32

AFTER INSTALLING THIS UNIT PLEASE PASS ON TO END USER
DO NOT THROW AWAY



EnviroVent Ltd
EnviroVent House
Hornbeam Business Park
Harrogate
HG2 8PA

01423 810 810
info@envirovent.com

www.envirovent.com

E&OE | MKT ENV252-V7-01.04.14

Due to our policy of continuous innovation and improvement EnviroVent reserves the right to alter products specification and appearance without notice.