

The Dolly Switch

On/off Switches are available in 2-way, Intermediate and double pole.

Retractive dolly switches can be used as dimmer controllers when connected to a dimmer pack or dimming system.

2-way-and-off switches can be used to operate blinds.

Dolly switches can be mixed with Button Dimmer Controllers on the same plate, however they can not be combined with rotary dimmers.

Technical Information

- Dolly Switch Conforms to BS EN 60669 - 1: 1999 when assembled to appropriate plate and grid and installed correctly.

- ASTA Certificate No: 16240

- All Forbes and Lomax switches and sockets require British standard 35mm deep flush wall boxes.

Available In:

The Invisible Lightswitch® Range

The Antique Bronze Range

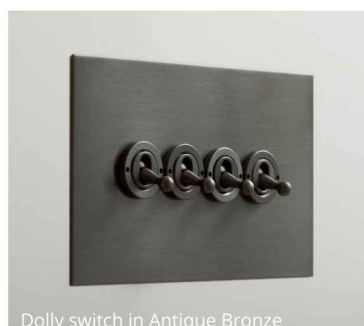
The Stainless Steel Range

The Aged Brass Range

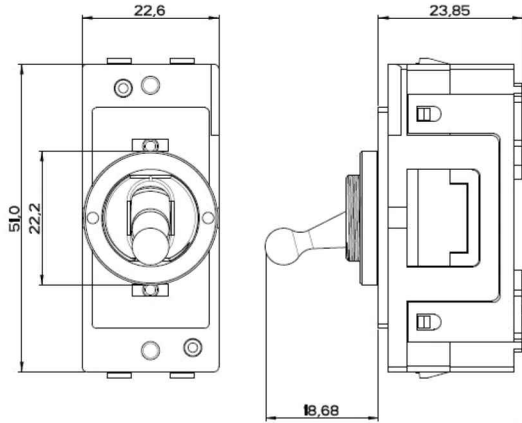
The Unlacquered Brass Range

The Nickel Silver Range

The Verdigris Range



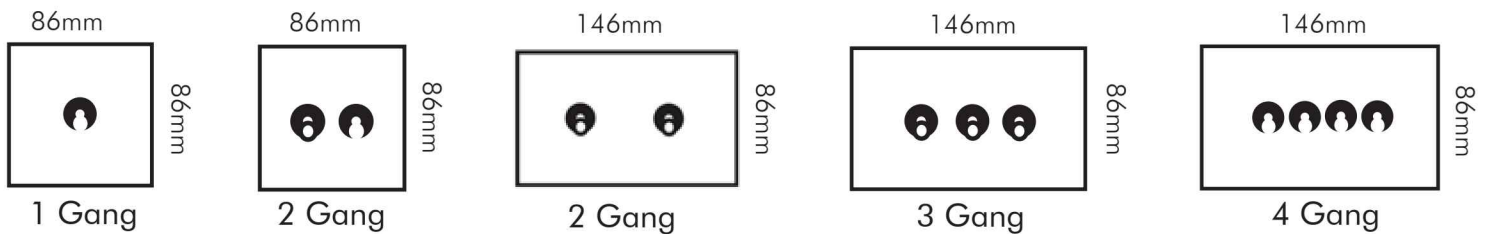
Technical Specification



Technical Specification	
	Toggle
Voltage Rating:	250V AC, 50Hz
Current Rating:	20AX
Operating Temperature:	-5°C to + 40°C
IP Rating:	IP2XD
Max. Installation Altitude:	2000 Meters
No. of Operations:	10,000
Terminal Capacities:	4 x 1mm ² (Flex) 4 x 1.5mm ² (Solid) 3 x 2.5mm ² (Solid) 2 x 4mm ² (Solid) 1 x 6mm ² (Solid)

Plate Dimensions

Horizontal Configurations



Vertical Configurations

