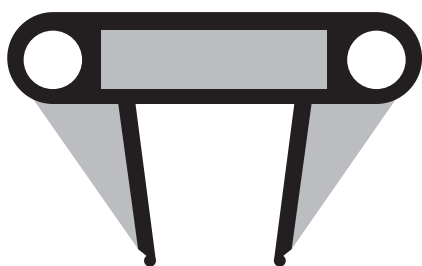
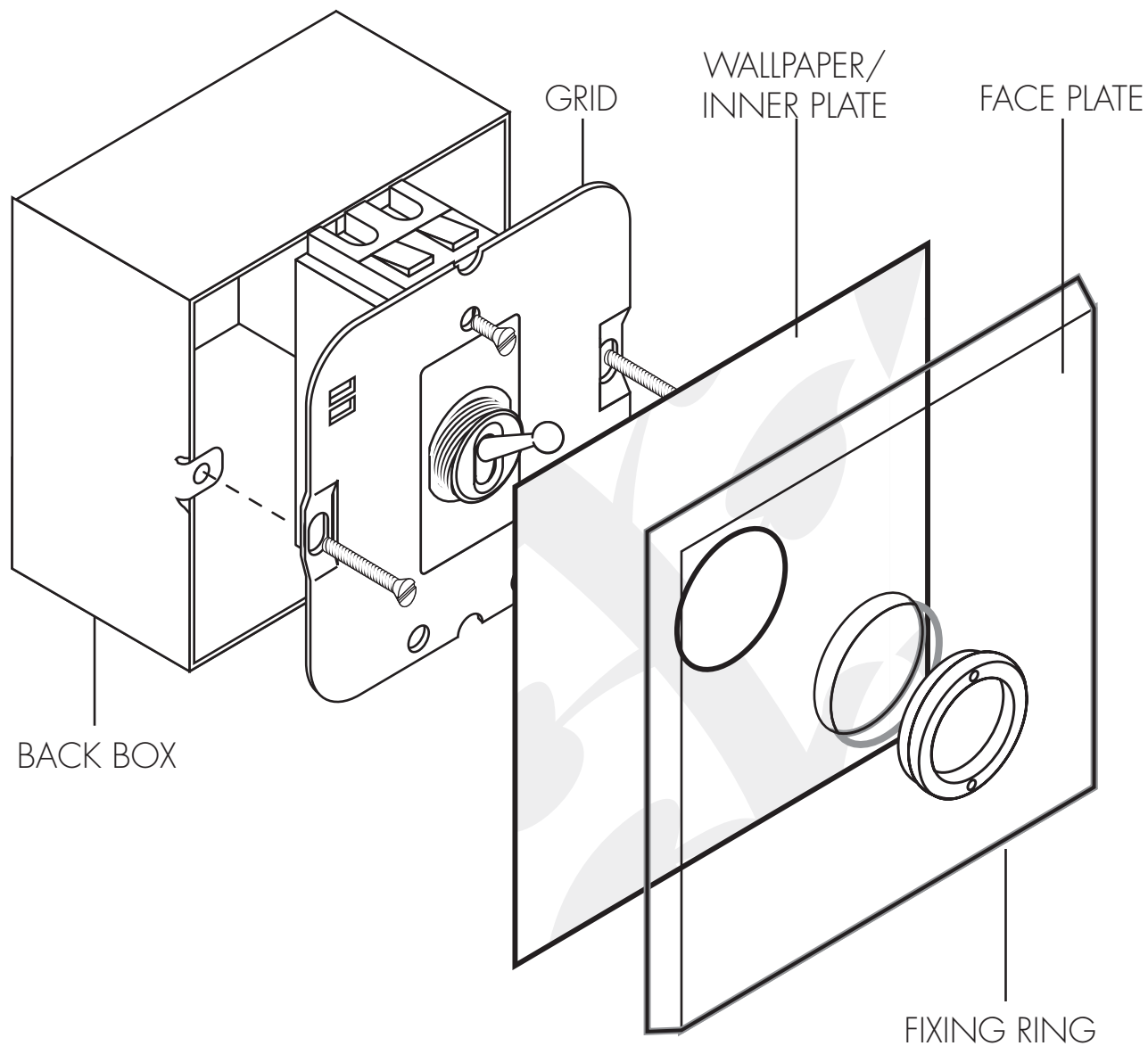


# **ASSEMBLY OF THE INVISIBLE LIGHTSWITCH®**



Plastic spanner supplied