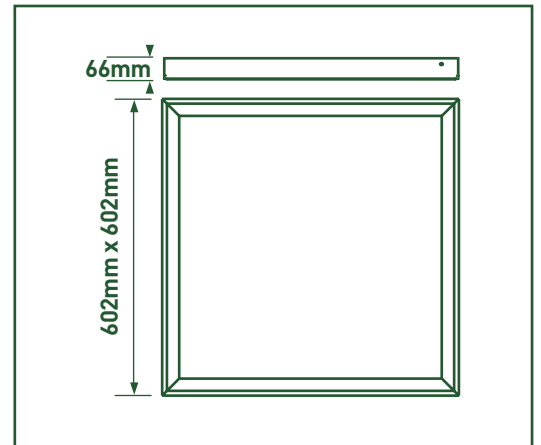


## LUXPANEL SURFACE MOUNTING FRAME

Surface mounting frame for Edgelit Framed and Frameless panels.

- Simple on-site assembly
- Space for driver and emergency pack
- Can be surface mounted or suspended with LWSK415
- Knockouts for conduit entry and emergency LED



**3** year  
standard  
WARRANTY



3 years standard warranty available in the UK. Rest of the world may vary, please ask your local distributor for more information.

**WHITE  
FINISH**

CAT NO.	SIZE
LPF66W	602mm x 602mm x 66mm
LPF612W	1202mm x 602mm x 66mm
LPF312W	1202mm x 302mm x 66mm

Tech Help Line

UK - **0845 194 7584**

Non UK - **+44 (0)1952 238 100**

Supplied by Nexus Industries Ltd  
Nexus Distribution Centre, Stafford Park 1  
Telford, Shropshire, TF3 3BD

Visit our website at

**[www.luceco.uk](http://www.luceco.uk)**