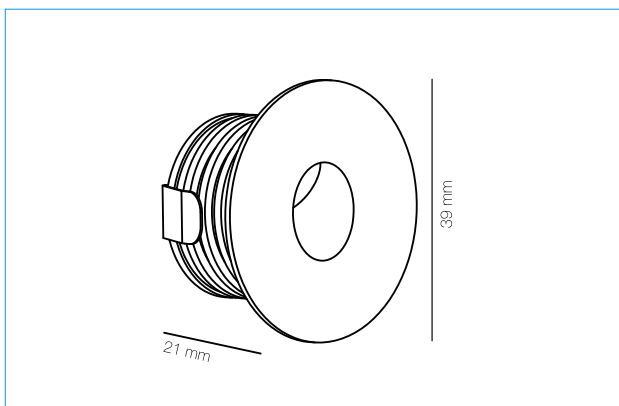


TECHNICAL DATASHEET

ALRD032WH

1W IP65 Low Level LED Light



PRODUCT FEATURES

- Anti-Glare Low Level Lighting
- Frosted Glass for Optimum Light Distribution
- Ideal for Stair Lighting and Commercial Lighting
- Ultra Slim Profile

	ErP Compliant
	3 Year Guarantee

ALL LED ALDR032WH

This luminaire contains built-in LED lamps.

A++	} LED
A+	
A	
B	
C	
D	

The lamps cannot be changed in the luminaire.

874/2012

PRODUCT CODE	ALRD032WH/30	ALRD032WH/40
Finish	White	White
Power	1W	1W
Lumens	≤80 lm	≤90 lm
IP	IP65	IP65
Colour	3000K	4000K