

SLIMLINE PORTABLE WORK LIGHTS



- 90% energy saving over halogen
- Maintenance free
- Weatherproof power switch
- Lightweight frame with soft grip handle
- Supplied with a 10A UK plug
- Sturdy steel stand, die cast housing with tempered glass
- 2m of H05RN-F rubber cable
- Fixed output integrated driver

2 year
standard
WARRANTY

2 years standard warranty available in the UK. Rest of the world may vary, please ask your local distributor for more information.

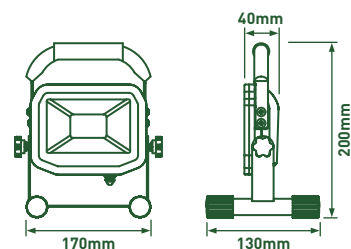


CAT NO.	LUMINAIRE LUMENS	WATTAGE	EFFICACY Llm/W	EQUIVALENT WATTAGE
LSW10BR2	600	10W	60	100W
LSW20BR2	1200	20W	60	200W
LSW30BR2	1800	30W	60	300W
LSW50BR2	3000	50W	60	500W

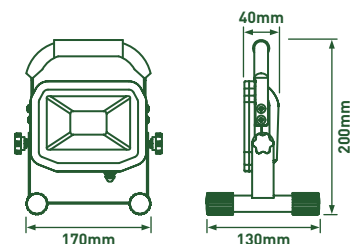
STANDARDS

EN 60598-1	Luminaires - General requirements
EN 60598-2-5	Luminaires - Floodlights
EN 55015	Limits and methods of measurement of radio disturbance characteristics of electrical lighting and similar equipment
EN 61547	Equipment for general lighting purposes - EMC immunity requirements
EN 61000-3-2	Electromagnetic compatibility (EMC) - Part 3-2: Limits - for harmonic current emissions
EN 62471	Photobiological safety of lamps and lamp systems
2002/96/EC	Waste Electrical & Electronic Equipment (WEEE)
2011/65/EU	Restriction of the use of certain Hazardous Substances in EEE (RoHS)
(EC) No 1907/2006	The Registration, Evaluation, Authorisation and Restriction of Chemicals (REACH)

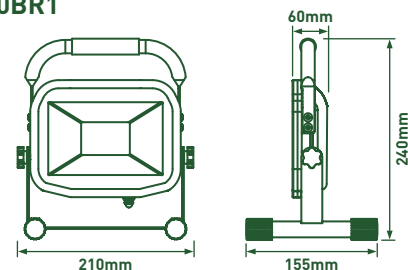
LSW10BR1



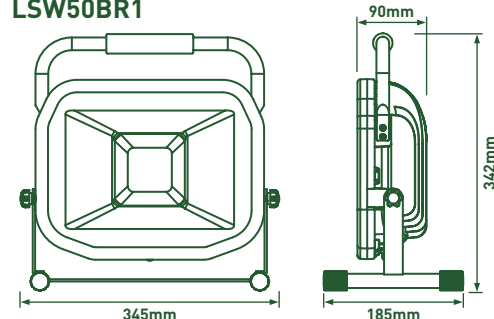
LSW20BR1



LSW30BR1



LSW50BR1



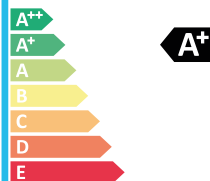
CE

RoHS



LUCECO

The luminaire contains built-in LED lamps.



The lamps cannot be changed in the luminaire.

874/2012



Tech Help Line

UK - **03300 249 279**

Non UK - **+44 (0)1952 238 100**

Supplied by Nexus Industries Ltd

Nexus Distribution Centre, Stafford Park 1

Telford, Shropshire, TF3 3BD

Visit our website at

www.luceco.uk