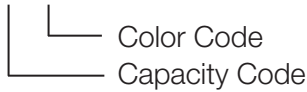


## Pico® Pedestal Model Number

Pedestals sold separately. Available in gloss finish only.

### L-PEDX-XX



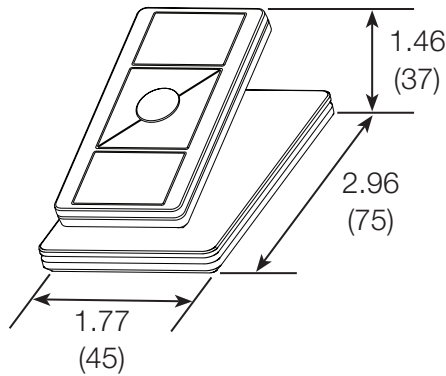
Capacity	Capacity Code	Gloss Color	Color Code
Single	1	White	WH
Double	2	Black	BL
Triple	3		
Quadruple	4		

## Dimensions

Measurements shown as: <sup>in</sup>  
(mm)

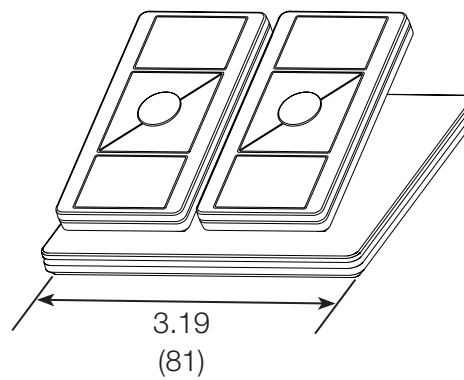
### Single Pedestal

Pedestals sold separately.



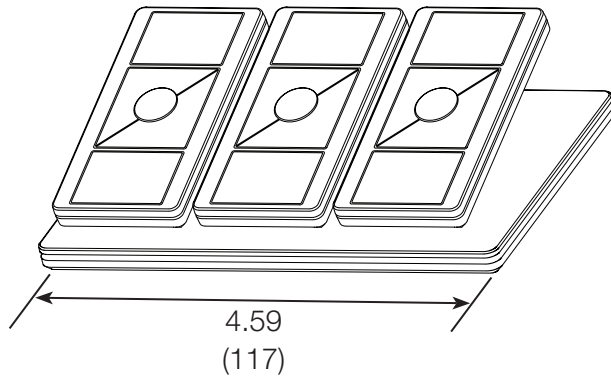
### Double Pedestal

Pedestals sold separately.



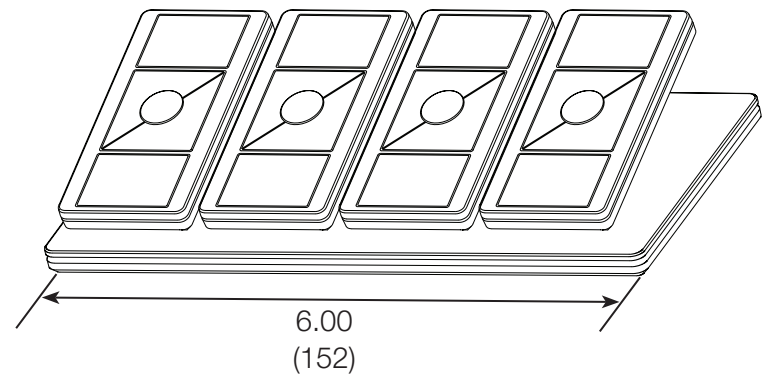
### Triple Pedestal

Pedestals sold separately.



### Quadruple Pedestal

Pedestals sold separately.



<b>Job Name:</b> <input style="width: 90%; height: 20px;" type="text"/>	<b>Model Numbers:</b> <input style="width: 95%; height: 20px;" type="text"/>
<b>Job Number:</b> <input style="width: 100px; height: 20px;" type="text"/>	<input style="width: 95%; height: 20px;" type="text"/>