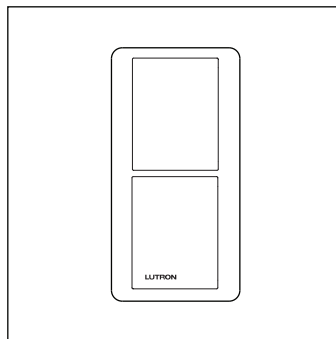


## Plastic and Metal Square-Style Pico® Faceplates

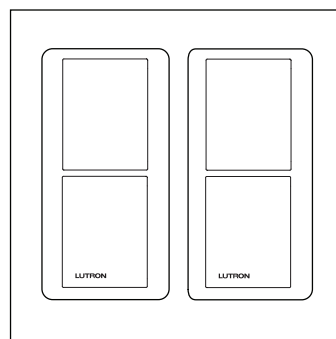
Pico® faceplates allow you to coordinate, accent, and blend your lighting controls with your décor, and experience a new way of expressing style and taste.

### Features

- Pico® faceplates feature square corners and flat edges for a clean architectural look.
- Faceplate snaps onto the faceplate adapter with no visible means of attachment.
- Pico® controls mount flush with the faceplate.
- Pico® faceplates are also available in glass. For specific product information refer to *seeTouch® Glass Faceplate Specification Sheet* (Lutron® P/N 369756).
- Pico® faceplates work with both square and round style wallboxes. They can also be mounted to any non-metallic<sup>1</sup> surface.<sup>2</sup>



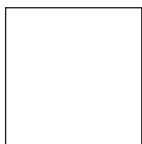
1-Column Faceplate



2-Column Faceplate

### Colors Available:

#### Plastic



TAW  
Matte Arctic White



TBL  
Matte Black

#### Metal



BC  
Bright Chrome



SN  
Satin Nickel



SB  
Satin Brass

**Note:** Pico® controls shown on this page are for reference only. Pico® controls are sold separately.

<sup>1</sup> Pico® controls should not be mounted to metallic surfaces, this may affect the performance of the device.

<sup>2</sup> Use the provided #6-20 coarse-thread flat head screws and coordinating anchors for mounting to drywall.

Job Name:	Model Numbers:
Job Number:	

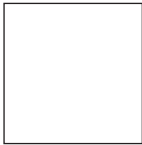
## Model Numbers: Plastic Faceplate

LPFP-S1-XXX\* 1-Column

LPFP-S2-XXX\* 2-Column

\* "XXX" in the model number represents color/finish code. See **Colors Available** below.

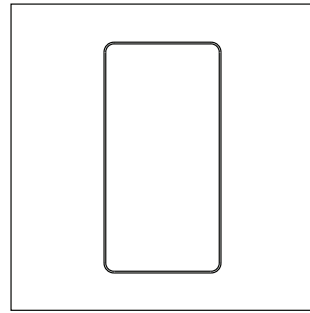
### Colors Available:



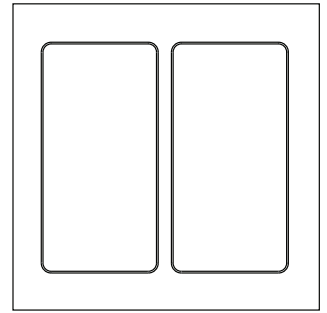
TAW  
Arctic White



TBL  
Black



LPFP-S1-XXX\*



LPFP-S2-XXX\*

## Model Numbers: Metal Faceplate

LPFP-S1-XX\* 1-Column

LPFP-S2-XX\* 2-Column

\*\* "XX" in the model number represents color/finish code. See **Colors Available** below.

### Colors Available:



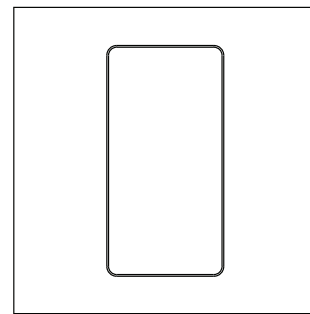
BC  
Bright Chrome



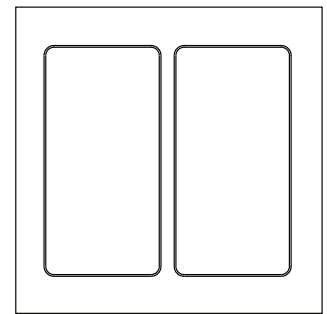
SN  
Satin Nickel



SB  
Satin Brass



LPFP-S1-XX\*\*



LPFP-S2-XX\*\*

<b>Job Name:</b>	<b>Model Numbers:</b>
<b>Job Number:</b>	

## Specifications

### Environment

- Ambient operating temperature: 0 °C to 40 °C (32 °F to 104 °F)
- Indoor use only

### Product-Specific Features

- Pico® faceplates snap on with no visible means of attachment
- Mount directly to a wallbox or a flat surface
- Compatible with both wired (QSWP-CP, QSWP-DM) or wireless Pico® controls

### Cleaning

- Use only a soft cloth with warm water and mild soap to clean faceplates (no chemical cleaners)

### Warranty

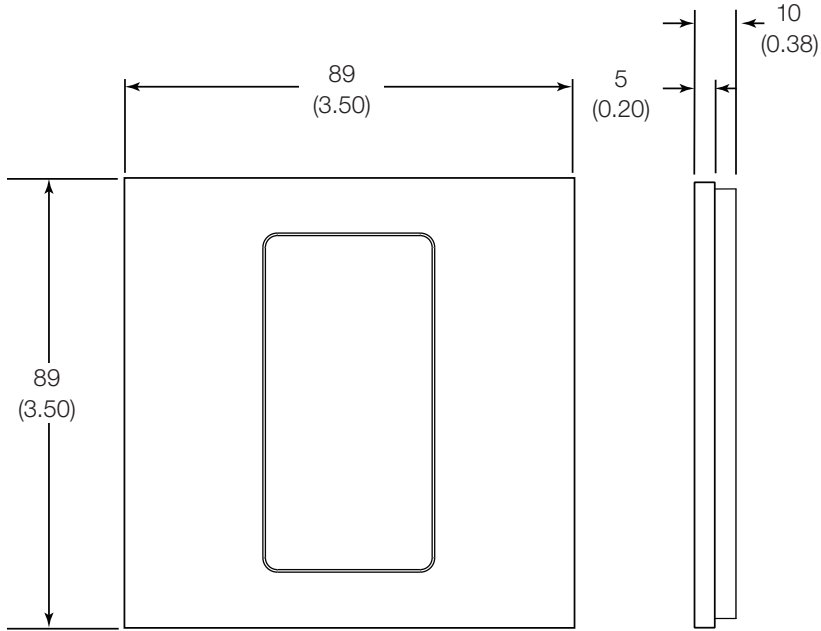
- [www.lutron.com/TechnicalDocumentLibrary/369-119\\_Wallbox\\_Warranty.pdf](http://www.lutron.com/TechnicalDocumentLibrary/369-119_Wallbox_Warranty.pdf)

Job Name:	Model Numbers:
Job Number:	

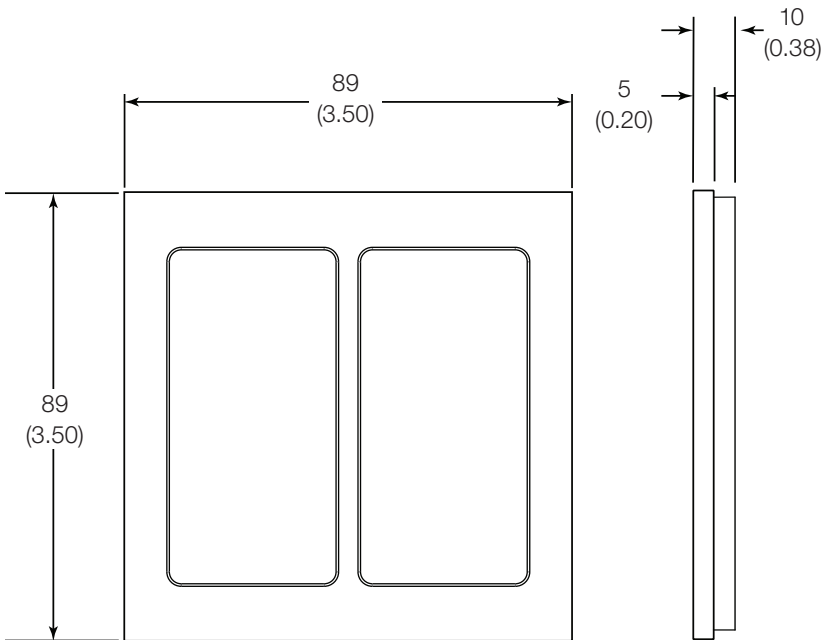
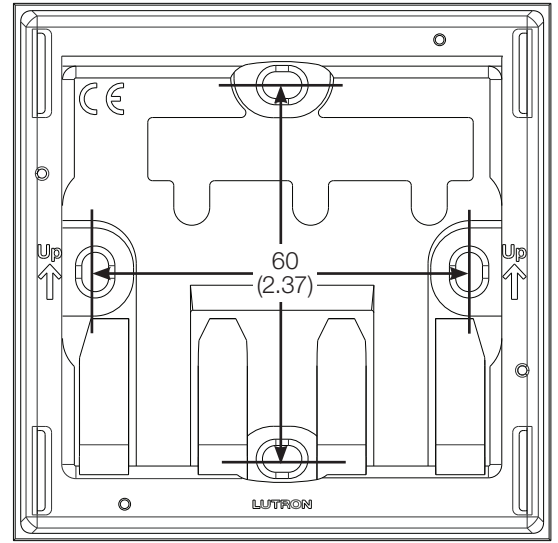
### Dimensions

Dimensions shown as: mm (in)

#### Pico® Faceplate



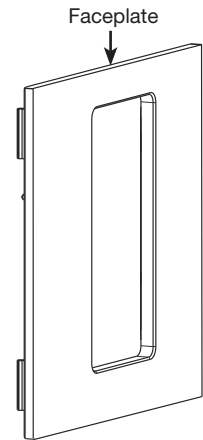
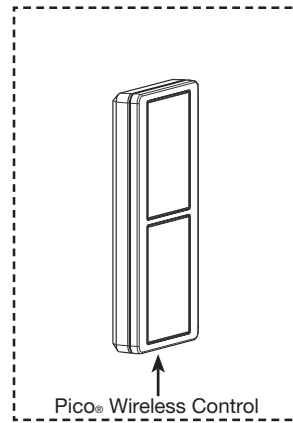
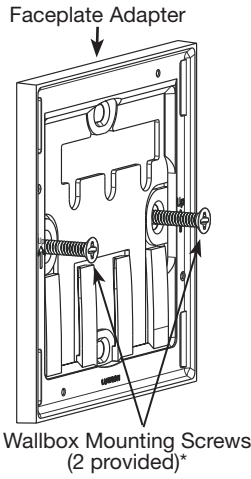
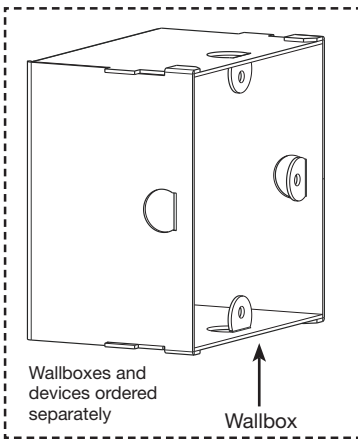
#### Pico® Faceplate Adapter



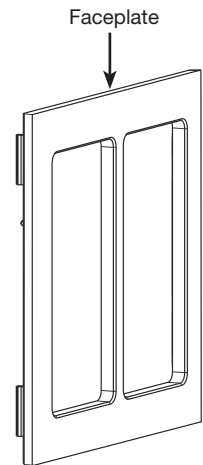
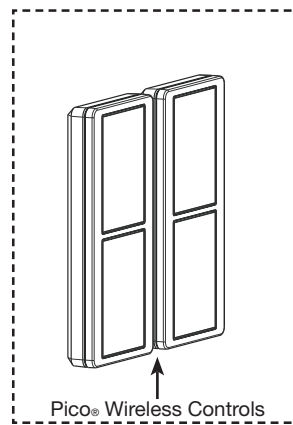
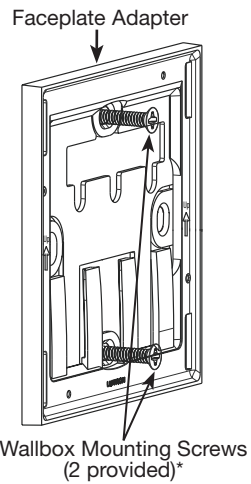
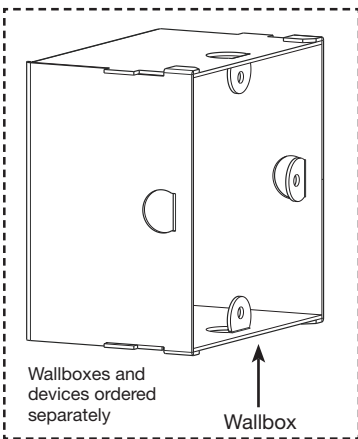
Job Name:	Model Numbers:
Job Number:	

# Mounting

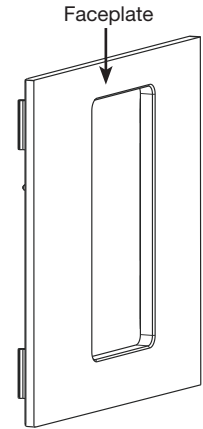
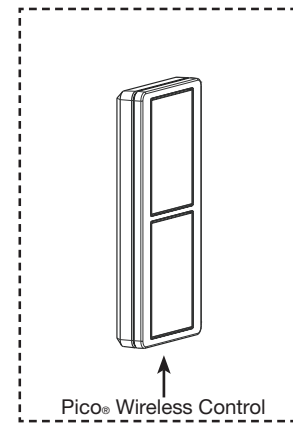
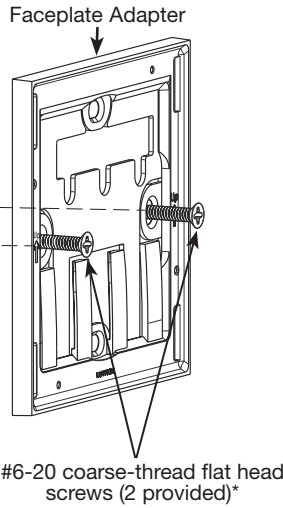
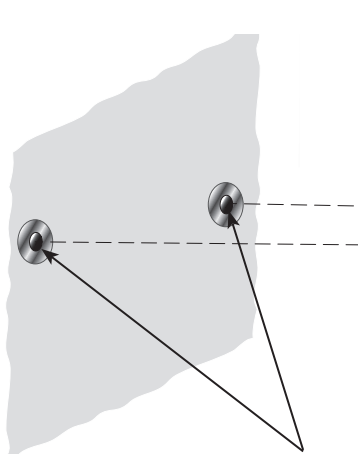
## Wallbox: 1-Column



## Wallbox: 2-Column



## Flat Surface: 1-Column or 2-Column



\* The mounting screws may be inserted into either the left/right or the top/bottom locations. The preferred screw locations are shown for each mounting configuration

Job Name:	Model Numbers:
Job Number:	