

TECHNICAL DATASHEET

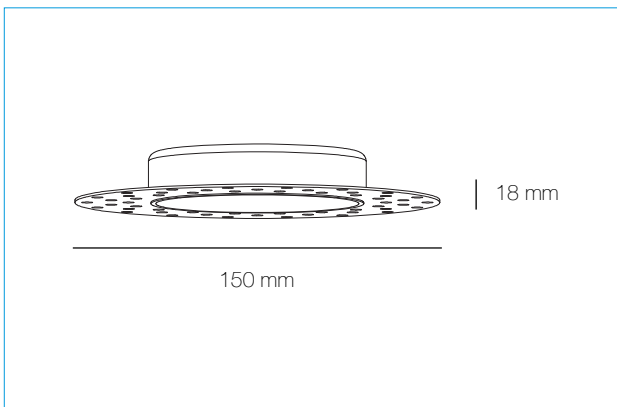
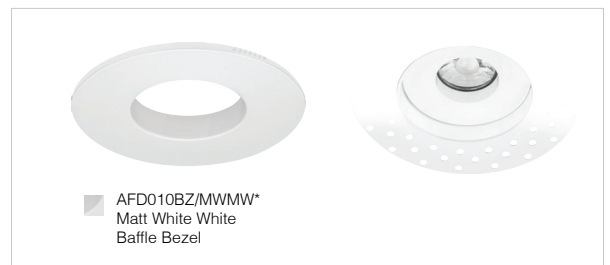
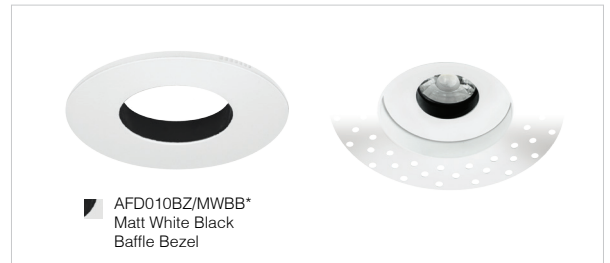
AFD010TK
TRIMLESS KIT FOR AFD010D



PRODUCT FEATURES

- Trimless Kit
- 95 mm Cutout

Recommended Bezels for Plaster-in Kit



PRODUCT CODE	AFD010TK
Overall	150 mm
Cutout	95 mm
Baffle Depth	18 mm

*Not Included