

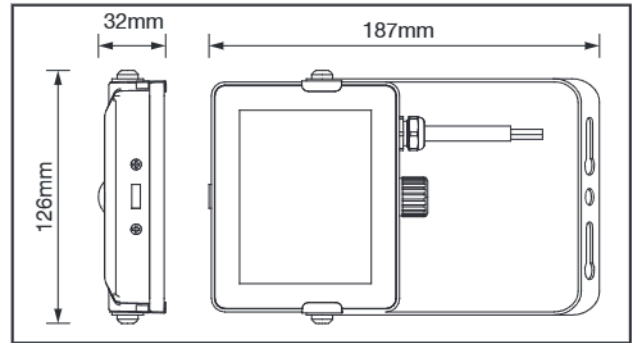
## AFLD20BK/CCT

20W Carbon Black IP65 CCT Selectable Flood Light With Q-Nex Plug And Play Technology



### PRODUCT FEATURES

- Q-Nex Plug & Play Technology PIR Or Photocell Sensor Accessories\*
- IP65 Rated
- CCT Selectable (3000K/4000K/6000K)
- 1m Pre-Wired Tough Rubber Cable
- Easy-Install Angled Bracket
- Prismatic Toughened Glass
- Slimline Diecast Carbon Black Aluminium Body



### TECHNICAL SPECIFICATIONS

Code	AFLD20BK/CCT		
Luminous Flux (LM)	1400lm	1550lm	1500lm
Useful Luminous Flux (LM)	1280lm	1410lm	1360lm
CCT (Kelvin)	3000K	4000K	6000K
Beam Angle (°)		110°	
SDCM		<6	
CRI		>80	
Peak Intensity (cd)	621cd	671cd	641cd
Operating Voltage (V)		220-240V AC	
Max Output Power (W)		20W	
Operating Current (A Max)		0.124A	
Standby Power (W)		<0.5W	
Power Factor (P <sub>f</sub> )		0.69	
Class		I	
Body Material		Aluminium	
Frame Colour		Carbon Black	
Switching Cycles		30,000	
Ingress Protection		IP65	
Ambient Operating Temperature (°C)		-20°C ~ +45°C	
Input Frequency (Hz)		50-60Hz	
Guarantee		3 Years	
Cable Length		1m	
Lifetime (L70 B50)		30,000 Hrs	
Survival Factor		0.9	
Lumen Maintenance Factor		0.1	
Flicker Metric (PstLM)		<1	

### ACCESSORIES\*



**Q-Nex**  
PLUG & PLAY TECHNOLOGY  
**PIR Sensor**  
AFL/PIR/BK



**Q-Nex**  
PLUG & PLAY TECHNOLOGY  
**Photocell Sensor**  
AFL/PCCELL/BK



\*Sold Separately

