



## INSTALLATION GUIDE & USER MANUAL ASPK600



**ENSURE POWER SUPPLY IS OFF WHEN HANDLING ANY ELECTRICAL EQUIPMENT.**

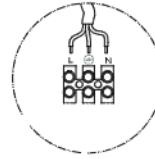
- This product must be installed by a qualified electrical installer.
- All electrical work should be completed in accordance with the latest IET regulations, or any other relevant rules, regulations or laws of the country in which it is being installed.
- This item is suitable for humid environments when installed correctly and carries an ingress protection rating of IP65.
- This item is suitable for installation on the ground, however please ensure the item is isolated from any areas where it can be knocked over or could pose a risk to people.
- Ensure the spike accessory is firmly pushed into the ground and install in an area where the ground has good drainage and is not permanently wet.
- Ensure power supply is isolated prior to installation, maintenance or performing any other form of electrical work.
- The company **MUST** be contacted immediately for advice or swift resolution of any matters concerning any of ALL LED's products.
- Ensure the luminaire is installed at least 0.5M from any objects. Please be mindful of dry foliage or similar flammable materials that may cause a fire risk.

## Technical Specifications

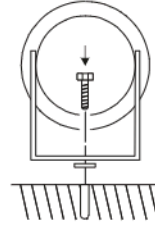
Product Code	ASPK600/30	ASPK600/40
Luminous Flux (LM)	550lm	600lm
Useful Luminous Flux (LM)	550lm	600lm
CCT (Kelvin)	3000K	4000K
Beam Angle (°)	20	20
SDCM	<6	<6
CRI	>80	>80
Peak Intensity (cd)	3418	3075
Operating Voltage (V)	220-240V AC	220-240V AC
Max Output Power (W)	6W	6W
Operating Current (A max)	0.035A	0.035A
Standby Power (W)	<0W	<0W
Power Factor (Pf)	>0.7	>0.7
Class	I	I
Body Material	Aluminium	Aluminium
Frame Colour	Carbon Black	Carbon Black
Switching Cycles	15,000	15,000
Ingress Protection	IP65	IP65
Ambient Operating Temperature (°C)	-20°C~40°C	-20°C~40°C
Input Frequency (Hz)	50/60Hz	50/60Hz
Guarantee	3 Years	3 Years
Dimmable	No	No
Cable Length	2.5m	2.5m
Lifetime (L70 B50)	25,000 Hrs	25,000 Hrs



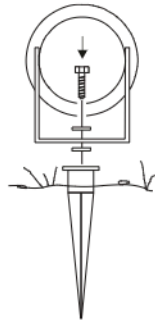
## Installation Instructions



1. We recommend checking the installation of the products for suitability prior to installation.
2. Turn off power supply at source to avoid any risk of electric shock.
3. Connect the luminaire to the relevant electrical circuit, ensuring the connection is waterproof and protected from water ingress.

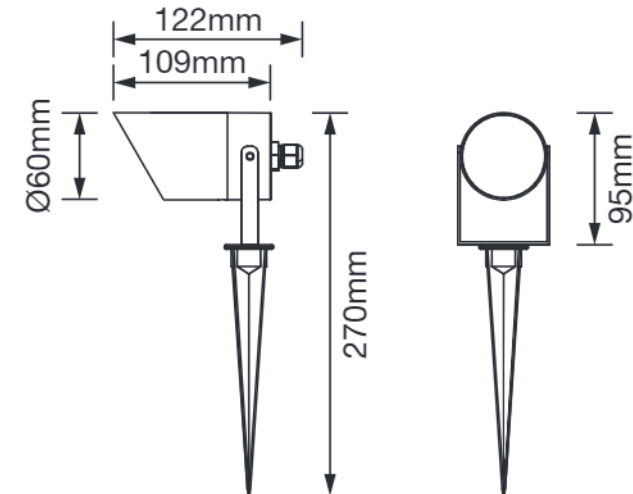


4. To secure the luminaire to a surface, prepare the surface to receive the unit. Use the appropriate method of securing the luminaire according to the substrate it is being fixed to. Use the hole on the mounting bracket to secure the item onto the surface.



5. If securing into the ground, affix the unit to the spike accessory (included), and firmly push the luminaire assembly into the ground.
6. Turn the power supply back on and test the luminaire to test its function.

## Dimensions (mm)



# Troubleshooting Guide

PROBLEM	CAUSE(S)	SOLUTION(S)
No Light Output From LEDs	No power to lamp holder components.	A qualified installer/electrician should check the primary voltage side of the product to check the input voltage.
	Loose connection on primary side.	Continuous and correct connection between terminals.

# Safety

- Do not cover the ground contact.
- Do not cover the luminaire, hang or fasten anything from it.
- Do not operate if any visible damage can be seen to the product.
- Do not operate if any water ingress has occurred.
- Do not operate if any smoke, steam or crackling noises can be heard from the luminaire.
- Do not operate if any signs of overheating are recognised.
- Avoid installation in any areas where there is a risk of strong mechanical loads.
- Do not place any material over the lens or LED diode/chip.
- Do not insert objects into the luminaire.
- Do not clean using any solvent based abrasive or aggressive product.
- Do not pull any cables connected to the product.
- Do not direct the luminaire into a person's eyes, as this unit may have an intense light output, which if incorrectly used may cause eye damage.
- Light engines/LEDs and other light sources may heat up, please take care when handling the products.
- The manufacturer will not be deemed liable or held responsible for any damages caused by faults or manufacturing defects that may be present in any of its products or the misuse or incorrect installation of this device. Please refer to our troubleshooting guide for further information.
- The manufacturer will not be held liable for any death(s) or injuries caused by misuse or poor installation or any unreported faults of this product version or versions thereof.
- LEDs are sensitive to electrostatic discharge. Do not touch the surface of the LED module.
- Do not connect to a temporary electricity supply, this may damage the electronics.
- Light fittings with an integrated emergency option come with a separate installation and wiring leaflet. Please refer to this manual for further details. If the manual is unavailable please contact an ALL LED representative for assistance.
- It is strongly recommended that a Residual-Current Device (RCD) is used with this product to minimise the risk of electrocution.
- REPLACE DAMAGED GLASS IMMEDIATELY.
- Keep away from children.
- Do not install in areas with; high acid rain, acidic soil, high salt content, coastal environments, high concentration of chemical substances.

# Returns & Faulty Items

- If any problem is encountered during or after installation, please call ALL LED technical department to get the problem resolved as soon as possible.
- Please do not just return the item to the outlet you purchased it from, as you are only entitled to a replacement or refund after the unit has undergone testing and the unit has been confirmed as having a manufacturing defect/fault. Your statutory rights are not affected.
- The manufacturer will not be deemed liable or held responsible for any damages caused by faults or manufacturing defects that may be present in any of its products or the misuse or incorrect installation of this device. Please refer to our troubleshooting guide for further information.
- All installations must be carried out in accordance with this installation guide and user manual.
- All goods are supplied under the terms and conditions of ALL LED LTD, a copy of which may be obtained upon written request.



## ATTENTION

IF ANY PROBLEMS PERSIST, PLEASE CALL THE ALL LED TECHNICAL DEPARTMENT FOR FURTHER ASSISTANCE.



Environmental Protection  
Waste electrical products should not be disposed of with household waste. Please recycle where facilities exist. Check with your Local Authority or retailer for recycling advice



This product supplied with a limited 2 year guarantee, subject to terms and conditions. The manufacturer will not be deemed liable or held responsible for any damages caused by faults or manufacturing defects that may be present in any of its products or the misuse or incorrect installation of this device  
Your statutory rights are not affected.



ALL LED LTD  
42 Sedgwick Road,  
Luton, LU4 9DT  
[www.allledgroup.com](http://www.allledgroup.com)  
[sales@allledgroup.com](mailto:sales@allledgroup.com)  
Tel: +44 (0)208 841 9000

