



205A St John's Hill, London, SW11 1TH
+44 (0)20 7738 0202 | sales@forbesandlomax.com | www.forbesandlomax.com

Momentary Switches

Momentary switches (for use with Lighting Control Systems or In-Line dimmer packs)

Forbes & Lomax have a range of toggle switches, button switches and rocker switches which are low voltage momentary contact closure switches for use with In-Line dimmer packs, lighting controls & home automation systems such as Mode Edin, Lutron, Crestron, KNX, Racko & Control 4. These switch modules are also ideal for use with a wide range of blinds, curtains, and Velux windows.

Momentary Push Buttons

Momentary Push Buttons provide one contact closure. In the resting position, the switch contacts are 'open' and when the button is pushed, it closes the contacts to 'make' the circuit. As soon as the switch is let go, it 'breaks' the circuit.

Retractive Switch

Retractive Toggles and Rockers provide one contact closure. The momentary switches can be mounted so the switch levers rest pointing up or down. In the resting position, the switch contacts are 'open' and when the switch is pushed the other way, it 'closes' the contacts to 'make' the circuit. As soon as the switch is let go, it springs back to the resting position and 'breaks' the circuit.

Centre-off Retractive Switch

Centre-off Retractive Toggles and Rockers provide two contact closures. The momentary toggles rest pointing straight forward at a 90-degree angle to the faceplate. The rockers sit in a central position. In the resting position, the switch contacts are 'open' and when the switch is pushed up, it 'closes' one set of contacts to 'make' a circuit and when the switch is pushed down, it 'closes' another set of contacts to 'make' another circuit. As soon as the switch is let go, it springs back to the centre resting position and 'breaks' the circuit.

Technical Information

- Certified to BSEN 60669-1:2018 when assembled to appropriate plate and grid and installed correctly.
- All Forbes & Lomax switches and sockets require British standard 35mm deep flush wall boxes, but recommend 47mm for ease of installation.
- All products clearly printed with BS Nos & ratings.

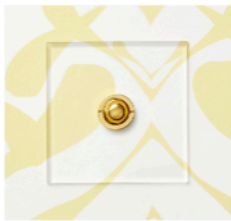


205A St John's Hill, London, SW11 1TH
 +44 (0)20 7738 0202 | sales@forbesandlomag.com | www.forbesandlomag.com

Available in the following ranges:

The Invisible Lightswitch®

- Aged Brass
- Antique Bronze
- Brushed Brass
- Nickel Silver
- Painted
- Stainless Steel
- Unlacquered Brass
- Verdigris



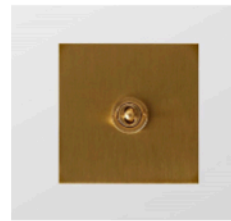
Invisible



Aged Brass



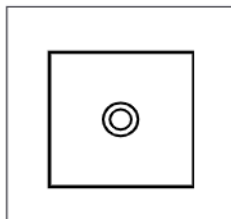
Antique Bronze



Brushed Brass



Nickel Silver



Painted



Stainless Steel



Unlacquered Brass

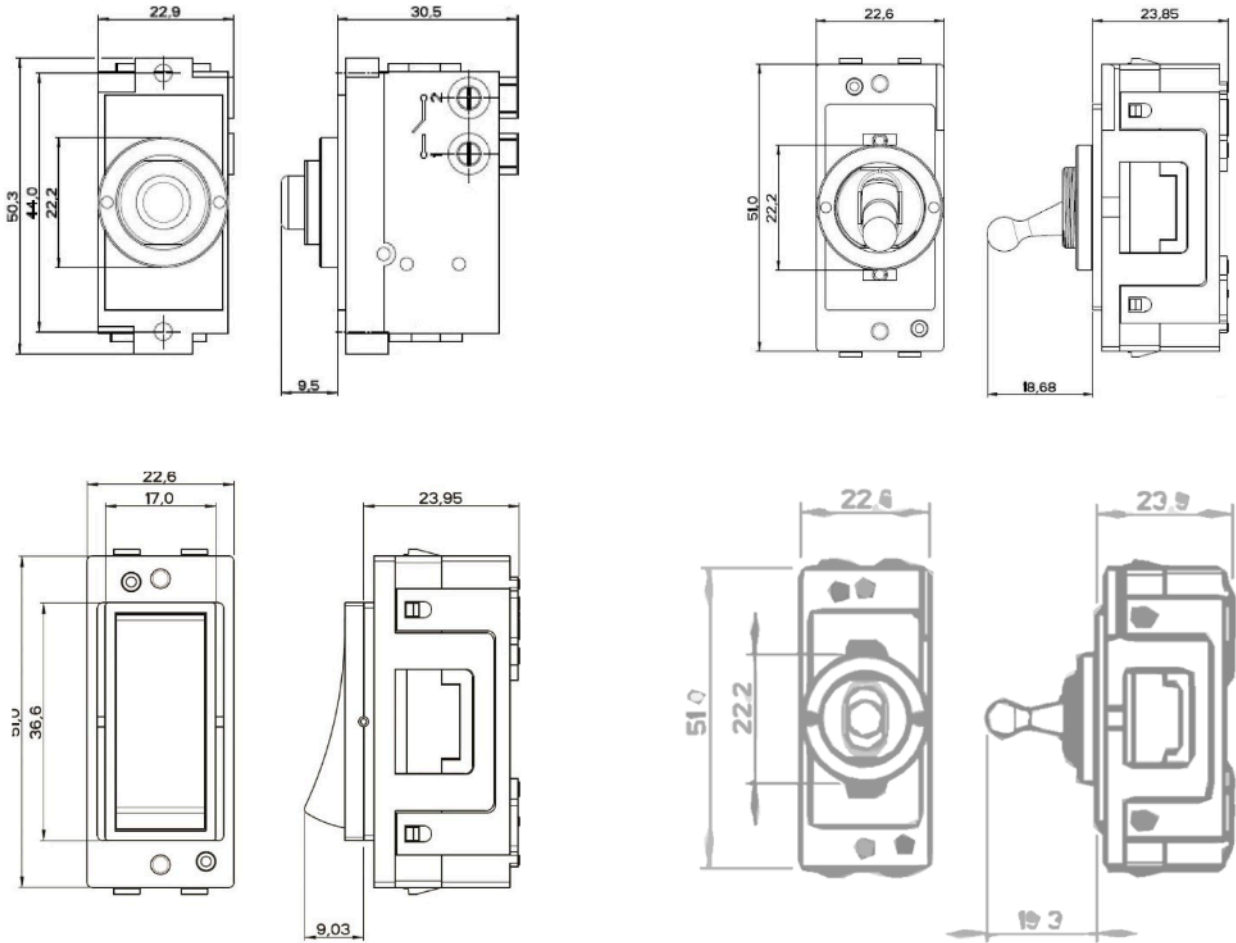


Verdigris



205A St John's Hill, London, SW11 1TH
 +44 (0)20 7738 0202 | sales@forbesandlomax.com | www.forbesandlomax.com

Technical Specifications



Technical Specification			
	Momentary Button	Retractive Switch	Centre-off Retractive Switch
Voltage Rating:	250V AC, 50Hz	250V AC, 50Hz	250V AC, 50Hz
Current Rating:	4A	6A	2A
Operating Temperature:	-5°C to +40°C	-5°C to +40°C	-5°C to +40°C
IP Rating:	IP2XD	IP2XD	IP2XD
Max Installation Altitude:	2000 metres	2000 metres	2000 metres
Terminal Capacities:	3 x 1mm ² (Flex)	4 x 1mm ² (Flex)	4 x 1mm ² (Flex)
	2 x 1mm ² (Solid)	4 x 1.5mm ² (Solid)	4 x 1.5mm ² (Solid)
	2 x 1.5mm ² (Solid)	3 x 2.5mm ² (Solid)	3 x 2.5mm ² (Solid)
	1 x 2mm ² (Solid)	2 x 4mm ² (Solid)	2 x 4mm ² (Solid)
	1 x 2.5mm ² (Solid)	1 x 6mm ² (Solid)	1 x 6mm ² (Solid)

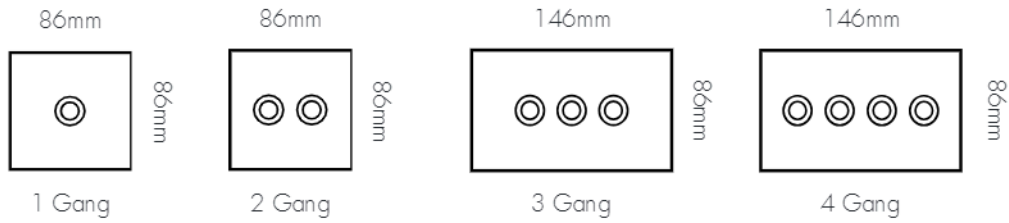


205A St John's Hill, London, SW11 1TH
 +44 (0)20 7738 0202 | sales@forbesandlomag.com | www.forbesandlomag.com

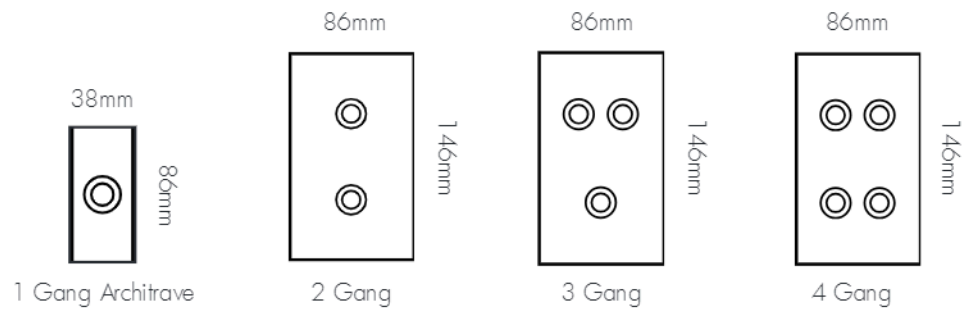
Plate Dimensions

Horizontal Configurations

These configurations apply to all modules



Vertical Configurations



Larger plates are available upon request. Please contact our sales team for further information.