



INSTALLATION & MAINTENANCE MANUAL

T8LEDxxxx

GENERAL INSTRUCTIONS

- These instructions should be read carefully and retained after installation by the end user for future reference and maintenance.
- These instructions should be used to aid installation of the following products:
T8LEDP9CW / T8LEDP9DL / T8LEDP18CW / T8LEDP18DL / T8LEDP24CW / T8LEDP24DL / T8LED6 / T8LED6D

SAFETY

- This product must be installed in accordance with the latest edition of the IEE Wiring Regulations (BS7671) and current Building Regulations. If in any doubt, consult a qualified electrician
- Please isolate mains prior to installation or maintenance
- Check the total load on the circuit (including when this product is fitted) does not exceed the rating of the circuit cable, fuse or circuit breaker
- This product is IP20 rated

INSTALLATION

- Note - If this product is being used in conjunction with an external PIR or sensor, please confirm with the manufacturer of the sensors that they are compatible with LED lamps.
- This LED tube is designed to fit into Knightsbridge LED-ready battens or non-corrosive fittings. It is not designed to retrofit into fluorescent fittings unless any high-frequency or electronic ballast is removed and the fitting rewired internally as shown below (see Fig. 1)

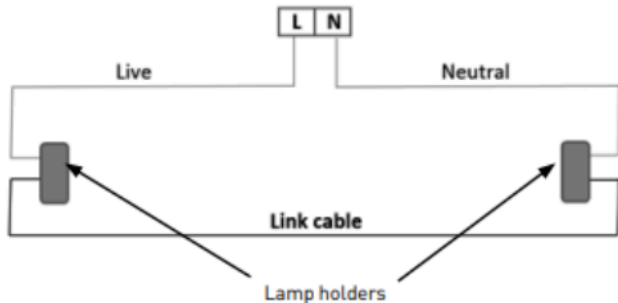


Fig. 1

Insert the LED tube into the fitting and lock in position by rotating 90°

The tube is powered from one end only, but the other end contains a glass fuse for overcurrent protection (see Fig. 2). If the luminaire into which it is fitted is wired as shown above, then it will not matter which way the LED tube is installed

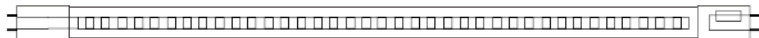


Fig. 2

WARNING

- This product must be disconnected from the circuit if subjected to any high voltage or insulation resistance testing. Irreparable damage will occur if this instruction is not followed.

GENERAL

- Clean with a soft dry cloth only, do not use aggressive cleaning products or solvents which may damage the product.
- This product is non-dimmable.
- This product should be recycled in the correct manner when it reaches the end of its life. Check local authorities for where facilities exist.

WARRANTY

This product has a warranty of 2 years from date of purchase (3 years for T8LED6x). Failure to install this product in accordance with the current edition of the IEE Wiring Regulations (BS7671), improper use, or removal of the batch code will invalidate the warranty. If this product should fail within its warranty period, it should be returned to the place of purchase for a free of charge replacement. ML Accessories does not accept responsibility for any installation costs associated with the replacement product. Your statutory rights are not affected. ML Accessories reserve the right to alter product specification without prior notice.

**INTERNATIONAL
CONTACT DETAILS**



**230V
50Hz**

IP20



**-20~
50°C
TA**

ML
ACCESSORIES LTD



**UK
CA** **CE**



52

ML Accessories Limited LU5 4LT
www.mlaccessories.co.uk