



Technical Data

13 Amp Power Socket with USB Charger

Brief product description:

Free up your sockets using the Nexus White Moulded Socket with USB charger capability ideal for charging iPad, iPhone, tables, mobiles, cameras and more.

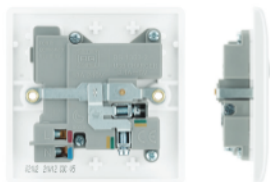
Features:

- 13A Power Sockets with integrated USB-A ports
- Smart Charging - Intelligently adjusts the voltage to give devices the power they need, when they need it, without overcharging
- White moulded round edge, sleek and slim with softly rounded edges
- Power socket for standard 3 pin UK plug
- Easy to install, supplied with fixing screws and installation instructions
- Angled in-line colour coded terminals with backed out screws for fast installation
- Screw cover caps for a sleek appearance
- Twin earth fitted as standard for high integrity circuits
- Anti-microbial certified - manufactured using high grade thermoset Urea which effectively inhibits the growth of infectious diseases, including MRSA, E-Coli, Salmonella and Klebsiella Pneumonia bacteria

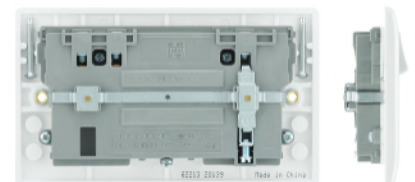
Product Images



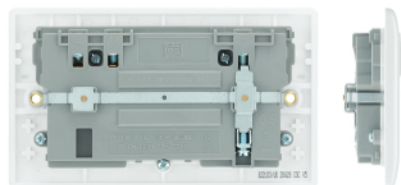
821U2



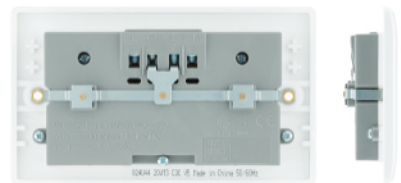
822U3



822U33



824U44





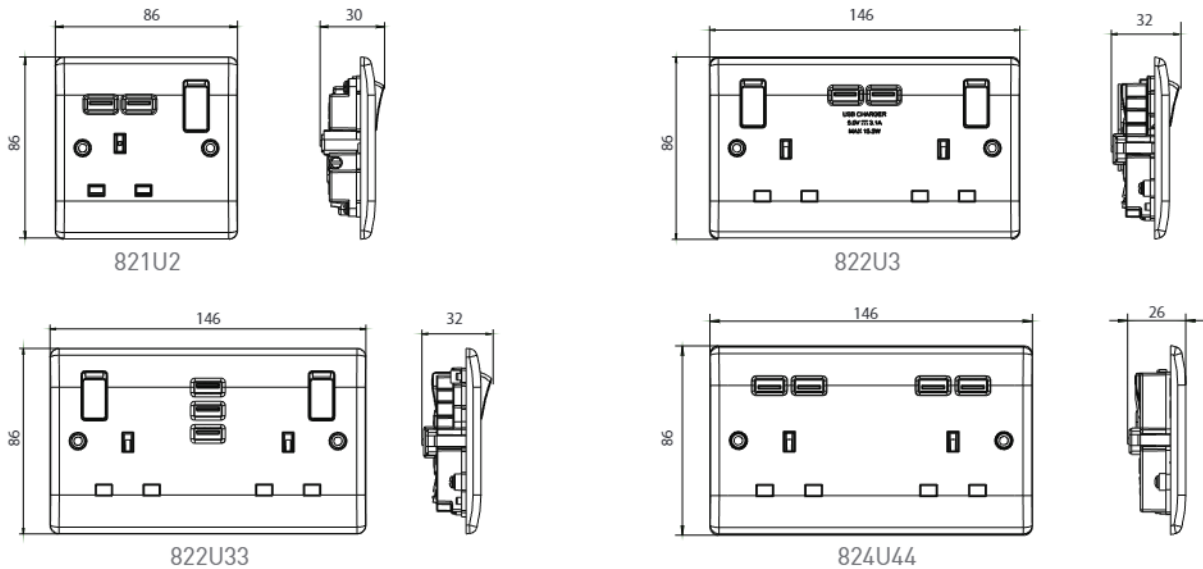
13 Amp Power Socket with USB Charger

Technical Specifications

Standard(s)	BS 1363-2:2016+A1:2018
Rating	13 Amp 240V ~
Switch Type	Single Pole (824U44 Unswitched)
Terminal Capacity - L & N	3 x 2.5mm ² , 3 x 4.0mm ² & 2 x 6.0mm ²
RoHS Directive	Yes
WEEE Directive	Yes
Mounting Box Depth (Min)	25mm
Fixing Centres	60.3mm (821U2 products) 120.6mm (822U3, 822U33, 824U44 products)
USB Output	821U2 5V, 2.1A, shared across two USB ports 822U3 5V, 3.1A, shared across two USB ports 822U33 5V, 3.1A, shared across three USB ports 824U44 5V, 4.2A, shared across four USB ports
Output Tolerance	<5%
Standby Power	<75mW
USB Overcurrent Protection	821U2 \leq 2.43A 822U3 \leq 3.60A 822U33 \leq 3.60A 824U44 \leq 4.85A



Line Diagrams





13 Amp Power Socket with USB Charger

Packaging Information

Cat No.	Description	Packaging Type			Pack Quantity			Barcode		
		Product	Inner Box	Outer Box	Each	Inner Box	Outer Box	Individual	Inner Box	Outer Box
821U2	1G, 2 x USB (2.1A)	Printed Bag	Printed Carton	Printed Carton	1	10	100	5050765117272	5050765117531	5050765117791
822U3	2G, 2 x USB (3.1A)	Eco Blister	Printed Carton	Printed Carton	1	5	50	5050765136945	5050765142571	5050765142762
822U33	2G, 3 x USB (3.1A)	Eco Blister	Printed Carton	Printed Carton	1	5	50	5050765137157	5050765142953	5050765142977
824U44	2G, 4 x USB (4.2A)	Eco Blister	Printed Carton	Printed Carton	1	5	50	5050765137171	5050765142991	5050765143172

Weights & Dimensions

Cat No.	Description	Dimensions (H x W x D) cm				Weight (kg)				CBM (m ³)
		Unpacked Product	Packed Product	Inner Box	Outer Box	Unpacked Product	Packed Product	Inner Box	Outer Box	Outer Box
821U2	1G, 2 x USB (2.1A)	8.6 x 8.6 x 3	18 x 11 x 3.3	10.7 x 18.4 x 16.2	20.1 x 53.9 x 33.8	0.078	0.082	1.23	12.70	0.03662
822U3	2G, 2 x USB (3.1A)	8.6 x 14.6 x 3.2	23 x 11 x 3.5	9.3 x 14.2 x 16.7	18.1 x 48.5 x 29.3	0.173	0.185	1.00	10.20	0.02572
822U33	2G, 3 x USB (3.1A)	8.6 x 14.6 x 3.2	23 x 11 x 3.5	9.3 x 14.2 x 16.7	18.1 x 48.5 x 29.3	0.173	0.185	1.00	10.20	0.02572
824U44	2G, 4 x USB (4.2A)	8.6 x 14.6 x 2.6	23 x 11 x 3.0	9.3 x 14.2 x 16.7	18.1 x 48.5 x 29.3	0.172	0.178	0.97	9.98	0.02572