



Technical Data

Shaver Socket

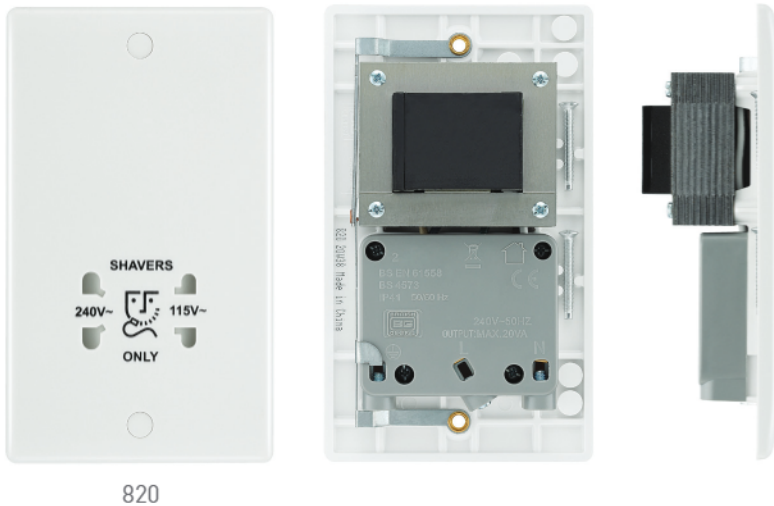
Brief product description:

The subtle design will blend with any décor - suitable for domestic or commercial installations.

Features:

- White moulded round edge, sleek and slim with softly rounded edges
- Easy to install, supplied with fixing screws and installation instructions
- Colour coded terminals with backed out captive screws for fast installation
- Screw cover caps for a sleek appearance
- Anti-microbial certified - manufactured using high grade thermoset Urea which effectively inhibits the growth of infectious diseases, including MRSA, E-Coli, Salmonella and Klebsiella Pneumonia bacteria

Product Images



820

Technical Specifications

Standard(s)	BS EN 61558 BS 4573
Rating	20VA
Voltage	115/240V AC
Terminal Capacity	3 x 2.5mm ² & 2 x 4.0mm ²
RoHS Directive	Yes
WEEE Directive	Yes
Mounting Box Depth (Min)	47mm
Fixing Centres	120.6mm

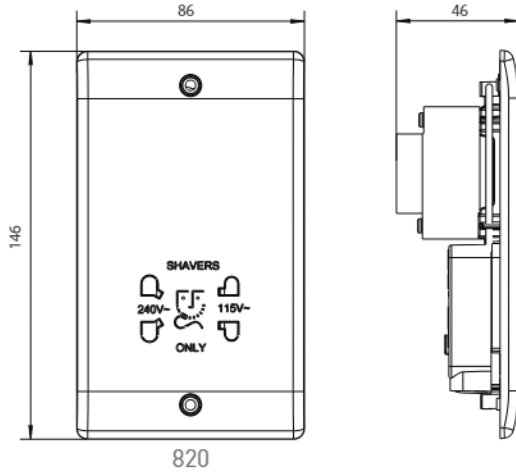


Intertek
Lic No.1016



Shaver Socket

Line Diagrams



Packaging Information

Cat No.	Description	Packaging Type			Pack Quantity			Barcode		
		Product	Inner Box	Outer Box	Each	Inner Box	Outer Box	Individual	Inner Box	Outer Box
820	115/240 DV SHV SKT	Window Box	Printed Carton	Printed Carton	1	5	50	5050765002714	5050765002721	5050765002738

Weights & Dimensions

Cat No.	Description	Dimensions (H x W x D) cm				Weight (kg)				CBM (m ³)
		Unpacked Product	Packed Product	Inner Box	Outer Box	Unpacked Product	Packed Product	Inner Box	Outer Box	Outer Box
820	115/240 DV SHV SKT	14.6 x 8.6 x 4.6	15.0 x 9.0 x 5.0	9.7 x 25.7 x 16.2	27.6 x 34.3 x 30.3	0.078	0.113	3.36	20.46	0.02868