



Technical Data

20 Amp 16AX Light Switches

Brief product description:

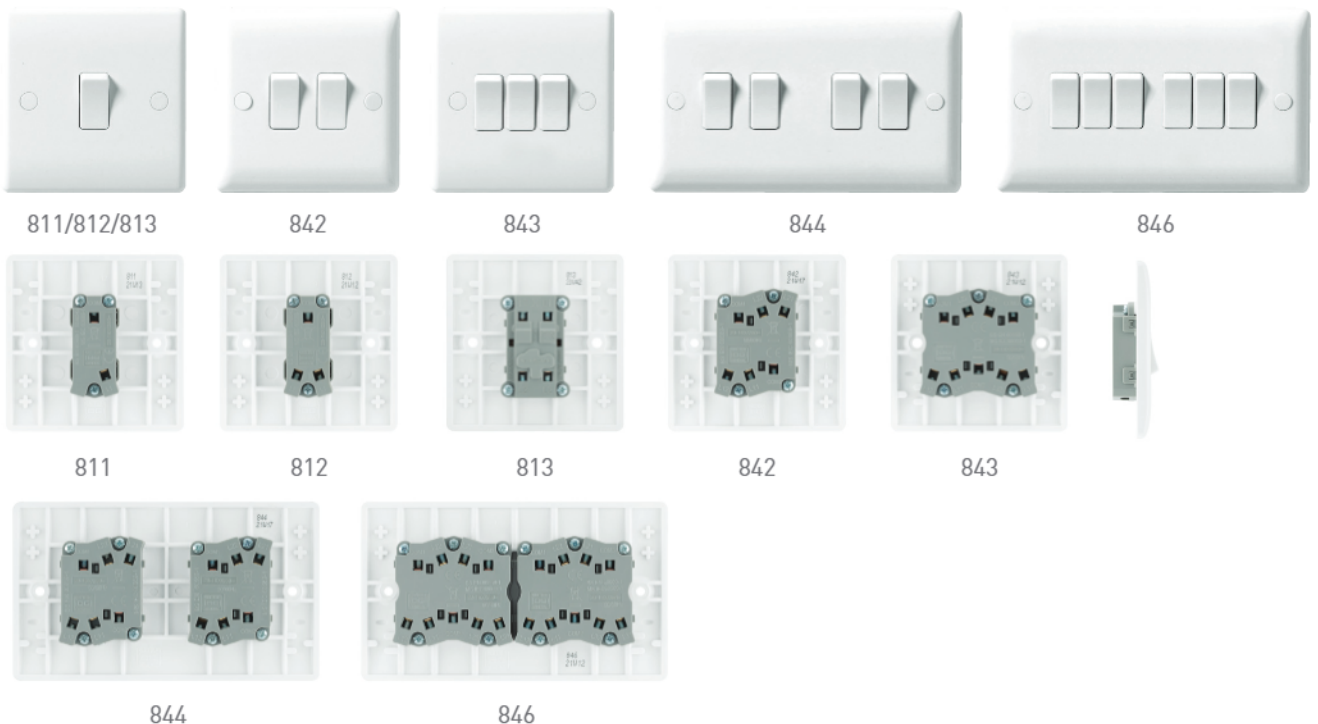
BG's Nexus range of plate switches have been designed to perform at 20A 16AX inductive loads.

The subtle design will blend with any décor - suitable for domestic or commercial installations.

Features:

- White moulded round edge, sleek and slim with softly rounded edges
- 20 Amp, 16AX inductive rated
- Easy to install, supplied with fixing screws and installation instructions
- Captive, backed out terminal screws for fast installation
- Screw cover caps for a sleek appearance
- Anti-microbial certified - manufactured using high grade thermoset Urea which effectively inhibits the growth of infectious diseases, including MRSA, E-Coli, Salmonella and Klebsiella Pneumonia bacteria

Product Images



Technical Specifications

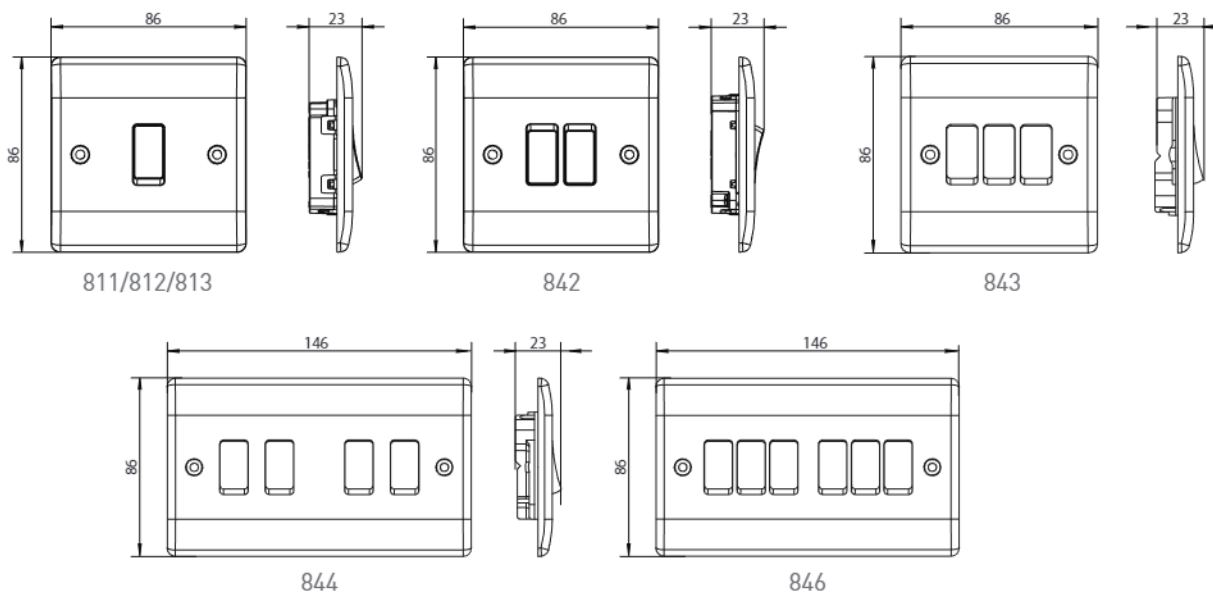
Standard(s)	BS EN 60669-1
Rating	20 Amp 250V AC (16AX - no derating for inductive or fluorescent loads)
Terminal Capacity	4 x 1.0mm ² 4 x 1.5mm ² 2 x 2.5mm ² 1 x 4.0mm ²
RoHS Directive	Yes
WEEE Directive	Yes
Mounting Box Depth (Min)	16mm (811, 812, 813, 842 products) 25mm (843, 844, 846 products)
Fixing Centres	60.3mm (811, 812, 813, 842, 843 products) 120.6mm (844, 846 products)





20 Amp 16AX Light Switches

Line Diagrams



Packaging Information

Cat No.	Description	Packaging Type			Pack Quantity			Barcode		
		Product	Inner Box	Outer Box	Each	Inner Box	Outer Box	Individual	Inner Box	Outer Box
811	1G, 1W	Printed Bag	Printed Carton	Printed Carton	1	10	100	5050765004442	5050765000321	5050765000338
812	1G, 2W	Printed Bag	Printed Carton	Printed Carton	1	10	100	5050765004473	5050765000352	5050765000369
813	Intermediate	Printed Bag	Printed Carton	Printed Carton	1	10	100	5050765004503	5050765000383	5050765000390
842	2G, 2W	Printed Bag	Printed Carton	Printed Carton	1	10	100	5050765004596	5050765000321	5050765000338
843	3G, 2W	Printed Bag	Printed Carton	Printed Carton	1	10	100	5050765004626	5050765000475	5050765000482
844	4G, 2W	Printed Bag	Printed Carton	Printed Carton	1	5	50	5050765004657	5050765000505	5050765000512
846	6G, 2W	Printed Bag	Printed Carton	Printed Carton	1	5	50	5050765004688	5050765000536	5050765000543

Weights & Dimensions

Cat No.	Description	Dimensions (H x W x D) cm				Weight (kg)				CBM (m ³)
		Unpacked Product	Packed Product	Inner Box	Outer Box	Unpacked Product	Packed Product	Inner Box	Outer Box	Outer Box
811	1G, 1W	8.6 x 8.6 x 2.3	17 x 12 x 2.5	9.5 x 12.7 x 18.2	20.1 x 26.3 x 50.3	0.064	0.068	0.74	7.68	0.02659
812	1G, 2W	8.6 x 8.6 x 2.3	17 x 12 x 2.5	9.5 x 12.7 x 18.2	20.1 x 26.3 x 50.3	0.065	0.069	0.75	7.78	0.02659
813	Intermediate	8.6 x 8.6 x 2.3	17 x 12 x 2.5	9.5 x 12.7 x 18.2	20.1 x 26.3 x 50.3	0.071	0.075	0.81	8.38	0.02659
842	2G, 2W	8.6 x 8.6 x 2.3	17 x 12 x 2.5	9.5 x 12.7 x 18.2	20.1 x 26.3 x 50.3	0.078	0.082	0.88	9.08	0.02659
843	3G, 2W	8.6 x 8.6 x 2.3	17 x 12 x 2.5	9.5 x 12.7 x 18.2	20.1 x 26.3 x 50.3	0.078	0.082	0.94	9.68	0.02659
844	4G, 2W	8.6 x 14.6 x 2.3	23 x 12 x 2.5	12.5 x 15 x 9.2	26 x 49.5 x 16	0.136	0.141	0.77	8.04	0.02743
846	6G, 2W	8.6 x 14.6 x 2.3	23 x 12 x 2.5	12.5 x 15 x 9.2	26 x 49.5 x 16	0.164	0.169	0.91	9.44	0.02743