

# INSTALLATION INSTRUCTIONS

100mm

Centrifugal Inline Fans

**Switch off mains supply before making any electrical connections.**

**Installation must be supervised by a qualified electrician.**

**This appliance can be used by children aged from 8 years and above and persons with reduced physical, sensory and mental capabilities or lack of experience and knowledge if they have been given supervision or instruction concerning the use of the appliance in a safe way and understand the hazards involved.**

**Children shall not play with the appliance.**

**Cleaning and user maintenance shall not be made by children without supervision.**

**Precautions must be taken to avoid the back-flow of gases into the room from the open flue of gas or other open-fire appliances when mounted in outside windows or walls.**

**Fan must be disconnected from electrical power before any maintenance is carried out.**

## Location

1. When installing this fan's ducting through an external wall, an external wall grille must be fitted at all times.
2. This fan should be fitted to ducting with a minimum duct length of at least 500 millimetres both sides of the fan.
3. Where ducted fans are used to handle moisture-laden air, such as a bathroom, a condensation trap should be fitted in any vertical exhaust ducts.
4. When using flexible ducting, ensure it is pulled taut. All ducting should be angled towards the external grille.
5. Ducting passing through cold voids should be insulated.
6. If the fan and duct extract grille is installed in a room containing a fuel burning appliance, the installer must ensure that the air replacement is adequate for both the fan and the fuel burning appliance.

## Wiring

1. Switch off mains supply before making electrical connections. If in any doubt contact a qualified electrician.
2. These units are for fixed wiring only. A flexible cord must not be used. All wiring must be fixed securely and the cable to the fan should be a minimum of 1mm<sup>2</sup> in section. All wiring must comply with current I.E.E. Regulations or local regulations if outside the UK.
3. A double pole fused spur having contact separation of at least 3mm in all pole must be used and fitted with a 3A fuse.
4. This fan is double insulated and does not require an earth connection.
5. The fan should not be accessible to a person using either the shower or the bath.

## Installation of Centrifugal Showerfan

The Centrifugal fan can be fitted in a shower cubicle, next to baths and above taps where regulations prevent installation of conventional fans. Cut a 100mm hole in the ceiling directly over the shower head ensuring first that the area above is free from obstruction and between two joists. A minimum of 500mm of ducting should be used either side of the fan, on the discharge of the internal grille or luminaire and on the discharge of the outlet grille.

Using the internal circular grille, carefully remove the grille from its housing by levering gently at the sides with a small screwdriver. Push the grille into the hole in the ceiling and make sure it is square to the walls and then mark the position of the fixing holes on the ceiling. Drill and plug the holes and screw the grille to the ceiling then refit the grille to the chassis fitted to the ceiling.

Select a suitable place for the Fan to be screwed to a joist and secure using two screws through the fixing bracket.

Using the external square grille select a suitable position either in the soffit or on an outside wall and cut a 4.5"/115mm hole. Attach one end of the flexible duct to the grille with one of the straps provided and from the outside feed the ducting through the hole until the grille is flush with the soffit/wall, ensure that the duct is angled downwards towards the grille. Secure the grille to the wall as before.

Pull the flexible ducting gently to the discharge spigot of the fan and cut it to length and connect to the fan with another of the straps provided.

**NB: The discharge end of the Fan Unit is the end where you can see the fan blade clearly. There is also an arrow on the unit showing airflow direction.**

Connect the other piece of duct to the ceiling grille and onto the fan as before using the other straps provided.

**NB: Make sure wherever possible to keep the ducting running in a straight line as this will improve the performance of the fan.**

**IMPORTANT: Switch off mains supply before making any electrical connections.**

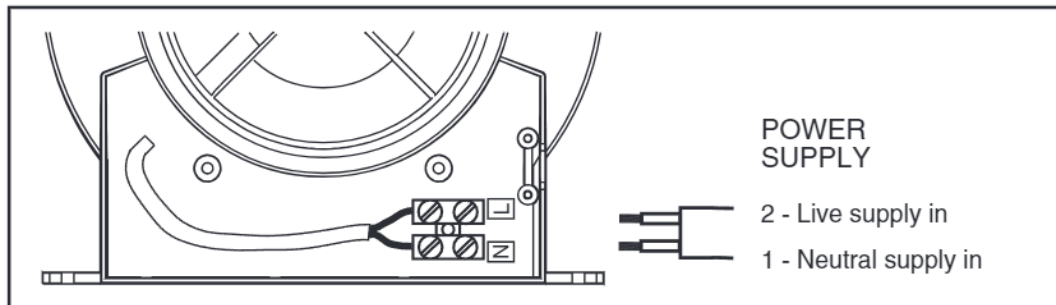
**If in any doubt contact a qualified electrician.**

Remove the cover on the Fan Bracket and make the electrical connection as follows:

**IMPORTANT: Fit the Blind Cable grommet in the cable entry hole and pierce with a 4mm diameter bradle or screw driver. Push the supply cable through the grommet leave enough cable to make the electrical connections, secure the cable with the cable grip.**

### Wiring of Standard Model.

The fan can either be operated from a separate pullcord switch fitted to the ceiling of the shower room or can be connected to the light switch so that the fan will start when the light is switched on.



### Wiring of Timer Model

The fan can either be operated from a separate pullcord switch fitted to the ceiling of the shower room or can be connected to the light switch so that the fan will start when the light is switched on.

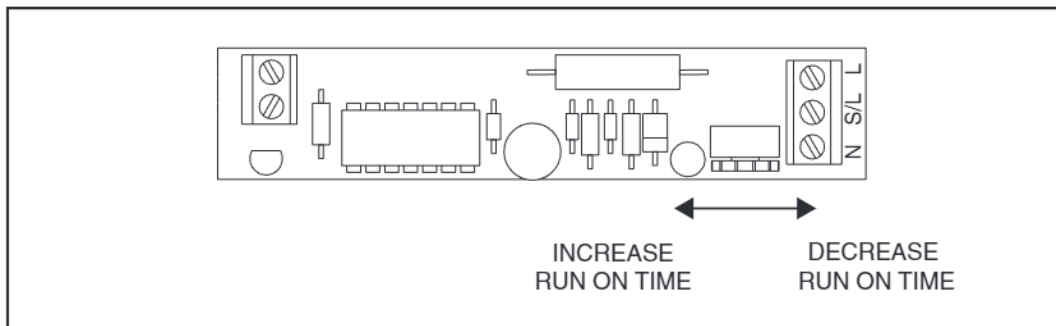
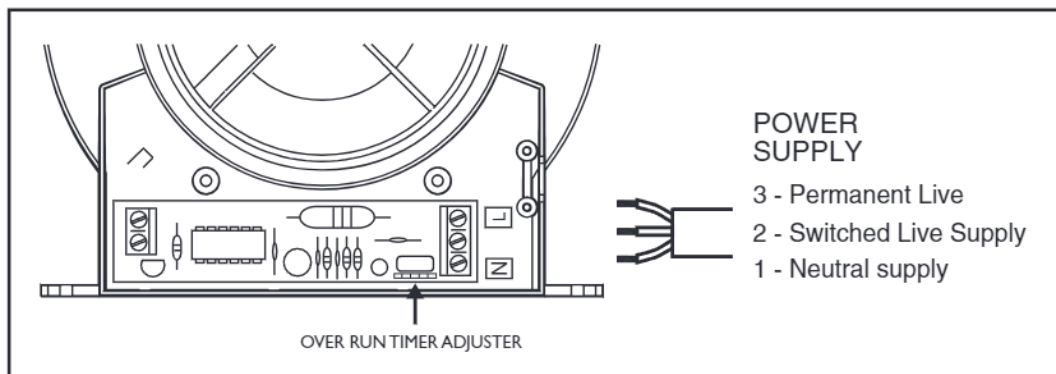
- Terminal 3 - Permanent Live Supply In
- Terminal 2 - Switched Live In
- Terminal 1 - Permanent Neutral In

The shower fan with the time delay fitted will run approximately one minute after it has been switched off. This time delay can be increased by firstly switching off the power to the fan, removing the cover on the bracket and carefully rotating the thumbwheel, to the left to increase the over-run time or to the right to decrease the over-run time.

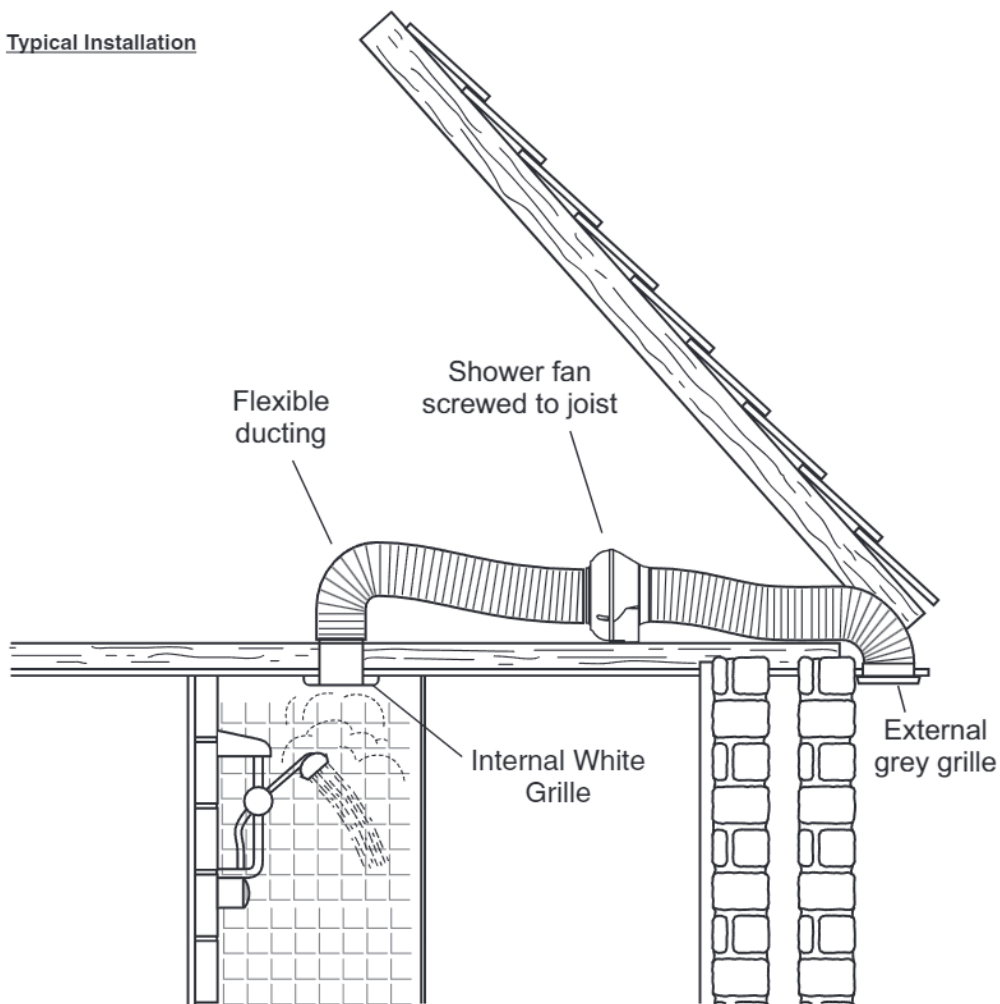
**Caution - disconnect the mains power to the fan before making any adjustments**

#### NOTE:

This unit is double insulated and therefore does not require an earth. Try to keep the ducting as straight as possible and wherever possible keep the distance between the ceiling grille and the external soffit or wall as short as possible as the shorter the length of ducting the better the performance of the fan. All ducting should angled away from the fan.



**Typical Installation**



PLEASE DISPOSE OF  
USED APPLIANCE AT  
YOUR LOCAL CIVIC  
AMENITY SITE.  
DO NOT DISPOSE IN  
DOMESTIC WASTE

CE

077610 05/17