



## Levels Ceiling 2 Bodies Ø420mm + Ø320mm

Nahtrang Design

Ceiling fixture Levels Ceiling 2 Bodies Ø420mm + Ø320mm LED 28 SW 2700-3000-4000K PHASE CUT Black 1850lm

Image may not match reference. LedsC4 reserves the right to amend any of the product's components. The data related to flux, power and colour temperature may be subject to changes made by the manufacturer.

# Technical features

Luminaire total power: 28W

Real lumens: 1850 (3000K)

Real lm/W: 66

Correlated Colour Temperature (CCT): SW 2700-3000-4000K

Lens / reflector angle: HORIZONTAL 101°

Structure material: Steel

Structure finish: Black

Diffuser material: Glass

Diffuser finish: Amber

Driver Brand: HEP

Voltage / frequency: 220-240V/50-60Hz

Dimming protocol: PHASE CUT

Power Factor: NULL

Useful life: 50,000h L80B20

Warranty: 5 años

Easily recyclable luminaire



# Luminotechnic features

CRI: 90

MacAdam steps: 3

Photobiological risk: RG1

Lampholder	Quantity	Light source power (W)
LED	1	24.4W

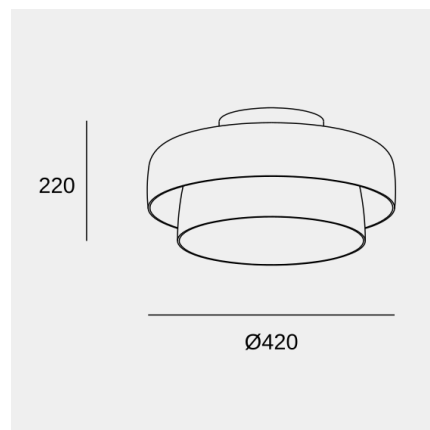


Image may not match reference. LedsC4 reserves the right to amend any of the product's components. The data related to flux, power and colour temperature may be subject to changes made by the manufacturer.



## Levels Ceiling 2 Bodies Ø420mm + Ø320mm

Nahtrang Design

Ceiling fixture Levels Ceiling 2 Bodies Ø420mm + Ø320mm LED 28 SW 2700-3000-4000K PHASE CUT Black 1850lm

Image may not match reference. LedsC4 reserves the right to amend any of the product's components. The data related to flux, power and colour temperature may be subject to changes made by the manufacturer.

# Logistics



Net weight (kg): 4.3

Packaged weight (kg): 6.43

Packaging: 1020mm x 610mm x  
420mm

Image may not match reference. LedsC4 reserves the right to amend any of the product's components. The data related to flux, power and colour temperature may be subject to changes made by the manufacturer.