



Technical Data

45 Amp Double Pole Switch

Brief product description:

The BG Nexus Metal range has a sleek and slim profile with softly rounded edges that portrays a premium look, and is available in a wide range of finishes to cater for all tastes.

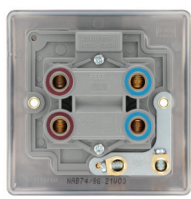
Features:

- Sleek and slim profile with softly rounded edges
- Easy to install, supplied with fixing screws and installation instructions
- Flush LED power indicator
- Colour coded terminals with backed out screws for fast installation
- Double pole for peace of mind and safer installation
- Twin earth for high integrity circuits
- Fixed integrated plastic gasket to protect metal edges from moisture
- Colour matched fixing screws

Product Images



NAB74



NBI74



NBN74



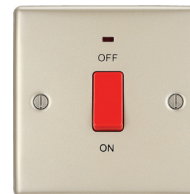
NBS74



NMB74



NPC74



NPR74



NBN72



NBS72



NPC72





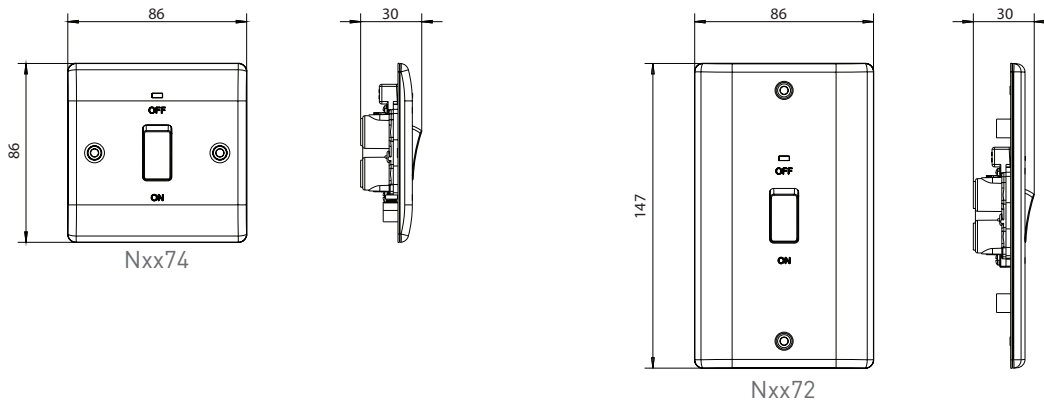
45 Amp Double Pole Switch

Technical Specifications

Standard(s)	BS EN 60669-1
Rating	45 Amp 250V AC
Switch Type	Double pole
Terminal Capacity	4 x 4.0mm ² 3 x 6.0mm ² 1 x 16.0mm ²
RoHS Directive	Yes
WEEE Directive	Yes
Mounting Box Depth (Min)	47mm
Fixing Centres	60.3mm (Nxx74 products) 120.6mm vertical (Nxx72 products)



Line Diagrams



Packaging Information

Cat No.	Description	Packaging Type			Pack Quantity			Barcode		
		Product	Inner Box	Outer Box	Each	Inner Box	Outer Box	Individual	Inner Box	Outer Box
NAB74	45A SQ SW AB	Eco Blister	Printed Box	Printed Box	1	5	50	5050765044516	5050765166461	5050765168960
NBI74	45A SQ SW BI	Eco Blister	Printed Box	Printed Box	1	5	50	5050765044677	5050765166867	5050765169257
NBN74	45A SQ SW BN	Eco Blister	Printed Box	Printed Box	1	5	50	5050765023337	5050765023702	5050765024075
NBS74	45A SQ SW BS	Eco Blister	Printed Box	Printed Box	1	5	50	5050765019026	5050765019392	5050765019767
NMB74	45A SQ SW MB	Eco Blister	Printed Box	Printed Box	1	5	50	5050765200226	5050765167949	5050765170116
NPC74	45A SQ SW PC	Eco Blister	Printed Box	Printed Box	1	5	50	5050765020138	5050765020503	5050765020879
NPR74	45A SQ SW PR	Eco Blister	Printed Box	Printed Box	1	5	50	5050765200080	5050765168588	5050765170666
NBN72	45A RECT SW BN	Eco Blister	Printed Box	Printed Box	1	5	50	5050765023320	5050765023696	5050765024068
NBS72	45A RECT SW BS	Eco Blister	Printed Box	Printed Box	1	5	50	5050765019019	5050765019385	5050765019750
NPC72	45A RECT SW PC	Eco Blister	Printed Box	Printed Box	1	5	50	5050765020121	5050765020497	5050765020862

Colour Reference:

AB = Antique Brass, BI = Brushed Iridium, BN = Black Nickel, BS = Brushed Steel, MB = Matt Black, PC = Polished Chrome, PR = Pearl Nickel

Weights & Dimensions

Cat No.	Description	Dimensions (H x W x D) cm				Weight (kg)				CBM (m ³)
		Unpacked Product	Packed Product	Inner Box	Outer Box	Unpacked Product	Packed Product	Inner Box	Outer Box	Outer Box
N**74	45A SQUARE SW	8.6 x 8.6 x 3.0	15.3 x 12.0 x 3.3	12.7 x 11.7 x 20.7	22.6 x 26.3 x 60.8	0.139	0.160	0.87	9.03	0.03614
N**72	45A RECTANGULAR SW	8.6 x 14.7 x 3.0	15.3 x 18.0 x 3.3	18.8 x 10.9 x 20.5	22.6 x 38.8 x 56.8	0.200	0.229	1.22	12.76	0.04981

British General Helpline
03300 249 279

Supplied by
Luceco PLC
Stafford Park 1 Telford TF3 3BD ENGLAND

Visit our website at
www.bgelectrical.uk