



Track Recessed 2000mm

LedsC4 Team

Track Recessed 2000mm Low voltage Black

Technical features

Structure material: Aluminium

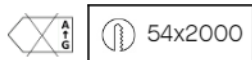
Structure finish: Black

Equipment necessary but not included

Voltage / frequency: 48 VDC

Warranty: 5 años

Easily recyclable luminaire



Luminotechnic features

Lampholder	Quantity	Light source power (W)
-	1	-

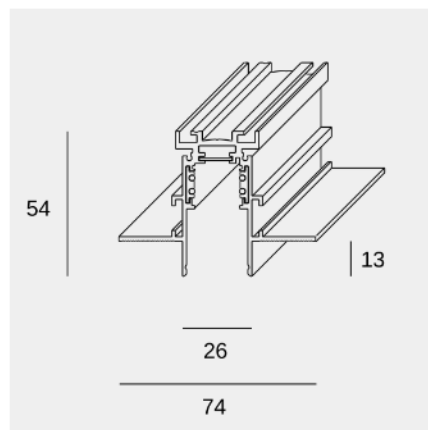
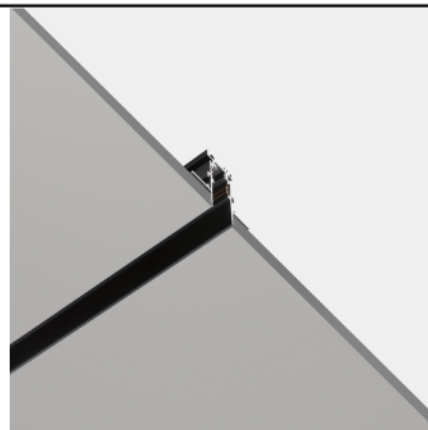


Image may not match reference. LedsC4 reserves the right to amend any of the product's components. The data related to flux, power and colour temperature may be subject to changes made by the manufacturer.



Track Recessed 2000mm

LedsC4 Team

Track Recessed 2000mm Low voltage Black

Logistics



x 1

Net weight (kg): 2.8

Packaged weight (kg): 3.8

Packaging: 76mm x 80mm x 2100mm

Image may not match reference. LedsC4 reserves the right to amend any of the product's components. The data related to flux, power and colour temperature may be subject to changes made by the manufacturer.



Track Recessed 2000mm

LedsC4 Team

Track Recessed 2000mm Low voltage Black

Optional accessories



71-7634-00-00

Installation kit

Structure material: Aluminium

Dimensions: 26.2 x 35 x 42

Net weight (kg): 0.03



71-8030-60-00

1000mm black cap

Structure material: PVC

Dimensions: 24.6 x 1000 x 5

Net weight (kg): 0.05



71-8031-60-00

2000mm black cap

Structure material: PVC

Dimensions: 24.6 x 2000 x 5

Net weight (kg): 0.25



71-8032-60-00

3000mm black cap

Structure material: PVC

Dimensions: 24.6 x 3000 x 5

Net weight (kg): 0.16



71-7633-60-00

"I" joint for Recessed / Up&Down Track

Structure material: PVC, Aluminium

Dimensions: 16 x 142.5 x 18

Net weight (kg): 0.03

Image may not match reference. LedsC4 reserves the right to amend any of the product's components. The data related to flux, power and colour temperature may be subject to changes made by the manufacturer.

Optional accessories



71-7706-60-00

"L" joint for Recessed Track

Structure material: PVC, Aluminium
Dimensions: 72 x 72 x 52.5
Net weight (kg): 0.17



71-7637-60-00

Low Voltage track power connector

Structure material: PVC, Aluminium
Dimensions: 16 x 112 x 18
Net weight (kg): 0.03



71-7705-00-00

End cap for Low Voltage track

Structure material: Aluminium
Dimensions: 2 x 26.2 x 53.65
Net weight (kg): 0.04



71-8115-00-00

Track Low Voltage compatible DALI controller

Structure material: Polycarbonate
Dimensions: 18 x 143 x 59
Net weight (kg): 0.06

71-A248-60-00

"L" vertical joint for Recessed Track

Structure material: Aluminium
Dimensions: 70 x 50 x 50
Net weight (kg): 0.22

71-A249-60-00

"L" vertical joint for Recessed Track

Structure material: Aluminium
Dimensions: 70 x 50 x 50
Net weight (kg): 0.25

Image may not match reference. LedsC4 reserves the right to amend any of the product's components. The data related to flux, power and colour temperature may be subject to changes made by the manufacturer.

Optional accessories



71-A250-60-00

"T" joint for Recessed Track

Structure material: Aluminium

Dimensions: 124 x 78 x 54

Net weight (kg): 0.23



71-A251-60-00

"X" joint for Recessed Track

Structure material: Aluminium

Dimensions: 124 x 124 x 54

Net weight (kg): 0.38



71-B440-60-00

Structure material: Polycarbonate

Dimensions: 16 x 297 x 19

Net weight (kg): 0.15



71-B441-60-00

Structure material: Polycarbonate

Dimensions: 22 x 168 x 43

Net weight (kg): 0.32

Image may not match reference. LedsC4 reserves the right to amend any of the product's components. The data related to flux, power and colour temperature may be subject to changes made by the manufacturer.