



Prolix Double

Nahtrang Design

Spotlight Prolix Double 13.6 LED warm-white 2700K CRI 90 PHASE CUT Black 434lm

Technical features

Luminaire total power: 13.6W

Real lumens: 434

Real lm/W: 32

Correlated Colour Temperature (CCT): LED warm-white 2700K

Lens / reflector angle: FLOOD 48°

UGR: <=16

Structure material: Aluminium

Structure finish: Black

Diffuser material: Methacrylate

Diffuser finish: Transparent

Driver Brand: HEP

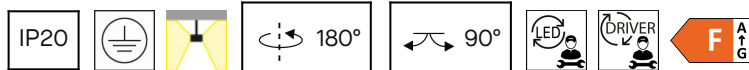
Voltage / frequency: 220-240V/50-60Hz

Dimming protocol: PHASE CUT

Power Factor: 0.48

Useful life: 50,000h L80B20

Warranty: 5 años



Luminotechnic features

TM30 RG: 100

TM30 RF: 91

Melanopic ratio: 0.511

CRI: 90

MacAdam steps: 3

Photobiological risk: RG1

Lampholder	Quantity	Light source power (W)
LED	1	11.8W

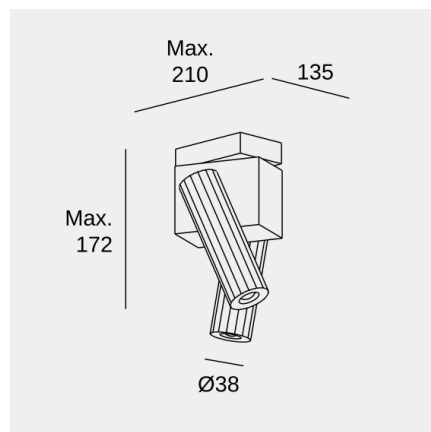


Image may not match reference. LedsC4 reserves the right to amend any of the product's components. The data related to flux, power and colour temperature may be subject to changes made by the manufacturer.

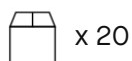


Prolix Double

Nahtrang Design

Spotlight Prolix Double 13.6 LED warm-white 2700K CRI 90 PHASE CUT Black 434lm

Logistics



x 20

Net weight (kg): 0.84

Packaged weight (kg): 1.04

Packaging: 220mm x 165mm x 105mm

Light application



Image may not match reference. LedsC4 reserves the right to amend any of the product's components. The data related to flux, power and colour temperature may be subject to changes made by the manufacturer.