



Wilson Square

LedsC4 Team

Wall fixture IP65 Wilson Square LED 10.2 LED warm-white 3000K ON-OFF White 623lm

Technical features

- Luminaire total power: 10.2W
- Real lumens: 623
- Real lm/W: 61
- Correlated Colour Temperature (CCT): LED warm-white 3000K
- Lens / reflector angle: FLOOD 90°
- Structure material: Aluminium
- Structure finish: White
- Diffuser material: Glass
- Diffuser finish: Matt
- Voltage / frequency: 100-240V/50-60Hz
- Dimming protocol: ON-OFF
- Power Factor: 0.90
- Useful life: 50,000h L80B20
- Warranty: 5 años
- Resistant to marine environments: Yes
- Easily recyclable luminaire



Luminotechnic features

- CRI: 80
- MacAdam steps: 3
- Photobiological risk: RGO

| Lampholder | Quantity | Light source power (W) |
|------------|----------|------------------------|
| LED | 1 | 9W |

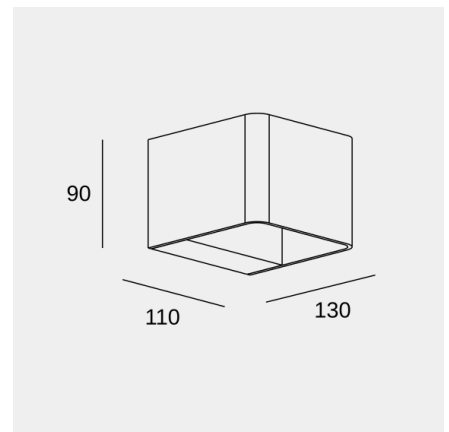


Image may not match reference. LedsC4 reserves the right to amend any of the product's components. The data related to flux, power and colour temperature may be subject to changes made by the manufacturer.



Wilson Square

LedsC4 Team

Wall fixture IP65 Wilson Square LED 10.2 LED warm-white 3000K ON-OFF White 623lm

Logistics



x 4

Net weight (kg): 0.98

Packaged weight (kg): 1.17

Packaging: 125mm x 110mm x 165mm

Image may not match reference. LedsC4 reserves the right to amend any of the product's components. The data related to flux, power and colour temperature may be subject to changes made by the manufacturer.