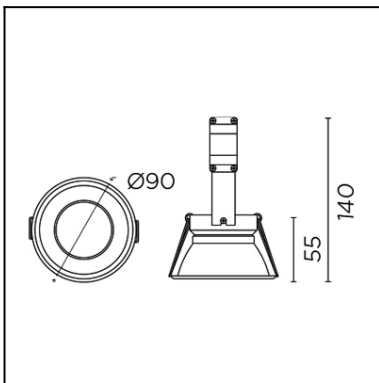


Design by JOSEP PATSI



The photograph may not match the reference exactly. Please read the product description to identify the finish.

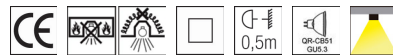


Description

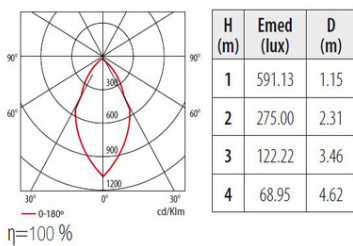
A round downlight for recessed installation, with high visual comfort avoiding problems of dazzling. Housing made in repelled steel plate and light fixing springs in stainless steel with high resistance to mechanical deformation. Fixed version (not directable). GU10 and GU5.3 lampholders (both included).

TECHNICAL CHARACTERISTICS

Type:	DOWNLIGHT RECESSED
IP Protection degrees:	IP23
Light source 1:	1 x GU5.3 50W
Total power consumption (W):	50
Voltage / Frequency:	230V-12V/50-60Hz
Warranty (Years):	2
Units per box:	80
Net Weight (Kg):	0.165
EAN:	8435381440244



QR-CBC51 GU 5,3 50W 60°



MATERIALS / FINISHES

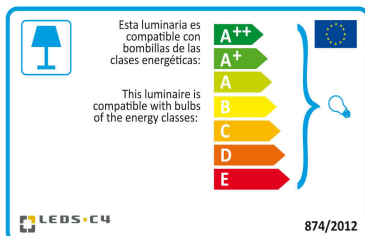
Structure material: Steel

Structure finish: Golden

GEAR

Necessary equipment not included. For more information check website / catalogs / sales organization.

Download photometric file .ldt / .ies



Click on image to download energy label

71-4032-N3-M2



LED module. For installation, the light must be completed with one of the different surrounds available.

Structure material:	Aluminium
Structure finish:	Grey
Diffuser material:	Polycarbonate
Diffuser finish:	Transparent



IP20

71-4033-N3-M2



LED module. For installation, the light must be completed with one of the different surrounds available.

Structure material:	Aluminium
Structure finish:	Grey
Diffuser material:	Polycarbonate
Diffuser finish:	Transparent



IP20

71-3885-N3-M2



LED module. For installation, the light must be completed with one of the different surrounds available.

Structure material:	Aluminium
Structure finish:	Grey
Diffuser material:	Polycarbonate
Diffuser finish:	Transparent



IP20

71-3886-N3-M2



LED module. For installation, the light must be completed with one of the different surrounds available.

Structure material:	Aluminium
Structure finish:	Grey
Diffuser material:	Polycarbonate
Diffuser finish:	Transparent

IP20

71-4032-14-M2

LED module. For installation, the light must be completed with one of the different surrounds available.

Structure material: Aluminium
Structure finish: White
Diffuser material: Polycarbonate
Diffuser finish: Transparent



IP20

71-4033-14-M2

LED module. For installation, the light must be completed with one of the different surrounds available.

Structure material: Aluminium
Structure finish: White
Diffuser material: Polycarbonate
Diffuser finish: Transparent



IP20

71-3885-14-M2

LED module. For installation, the light must be completed with one of the different surrounds available.

Structure material: Aluminium
Structure finish: White
Diffuser material: Polycarbonate
Diffuser finish: Transparent



IP20

71-3886-14-M2

LED module. For installation, the light must be completed with one of the different surrounds available.

Structure material: Aluminium
Structure finish: White
Diffuser material: Polycarbonate
Diffuser finish: Transparent



IP20

71-5156-14-M2V1

LED module. For installation, the light must be completed with one of the different surrounds available.

Structure material: Aluminium
Structure finish: White
Diffuser material: Polycarbonate
Diffuser finish: Transparent



IP20

71-5157-14-M2V1

LED module. For installation, the light must be completed with one of the different surrounds available.

Structure material: Aluminium
Structure finish: White
Diffuser material: Polycarbonate
Diffuser finish: Transparent

IP20

71-5086-14-M2V1

LED module. For installation, the light must be completed with one of the different surrounds available.

Structure material: Aluminium
Structure finish: White
Diffuser material: Polycarbonate
Diffuser finish: Transparent

IP20

71-5087-14-M2V1

LED module. For installation, the light must be completed with one of the different surrounds available.

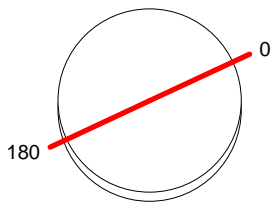
Structure material: Aluminium
Structure finish: White
Diffuser material: Polycarbonate
Diffuser finish: Transparent

IP20

Luminaire		Measur.		Lamp	
Code	DN-1600-14-00	Code	44865.FL/p95/761	Code	QR-CB 35W 24D
Name	DOME	Name	DOME	Number	1
Line	Eulumdat	Date	27-01-2000	Position	
Efficiency	100.00%	Coordinate system	CG	Total Flux	902.00 lm
Maximum value	4394.11 cd	Position	C=0.00 G=0.00	Rotosymmetrical	
Round Luminaire	Diam.	90 mm	Height	125 mm	
Round Luminous Area	Diam.	51 mm	Height	0 mm	
Horizontal Luminous Area	0.002043 m2	Emitting area on Plane 180°	0.000000 m2		
Emitting area on Plane 0°	0.000000 m2	Emitting area on Plane 270°	0.000000 m2		
Emitting area on Plane 90°	0.000000 m2	Glare area at 76°	0.000494 m2		
Symmetry Type	Rotosymmetrical	Maximum Gamma Angle	180		
Measurement Distance	0.00	Measurement Flux	903.20 lm		
Operator		Source voltage			
Temperature	25.00 °C	Source current			
Humidity	60.00 %	Photocell			
Notes					

Luminaire Lamps						
Line	Code	Name	Flux [lm]	Pow. [W]	Q.ty	
Eulumdat	QR-CB 35W 24D	QR-CB 35W 24D - 35.00 W	902.00	35.00	1	
C.I.E.	85 94 97 100 100	D DIN 5040				
F UTE	1.00 A	B NBN				
		A60				
		BZ 1				

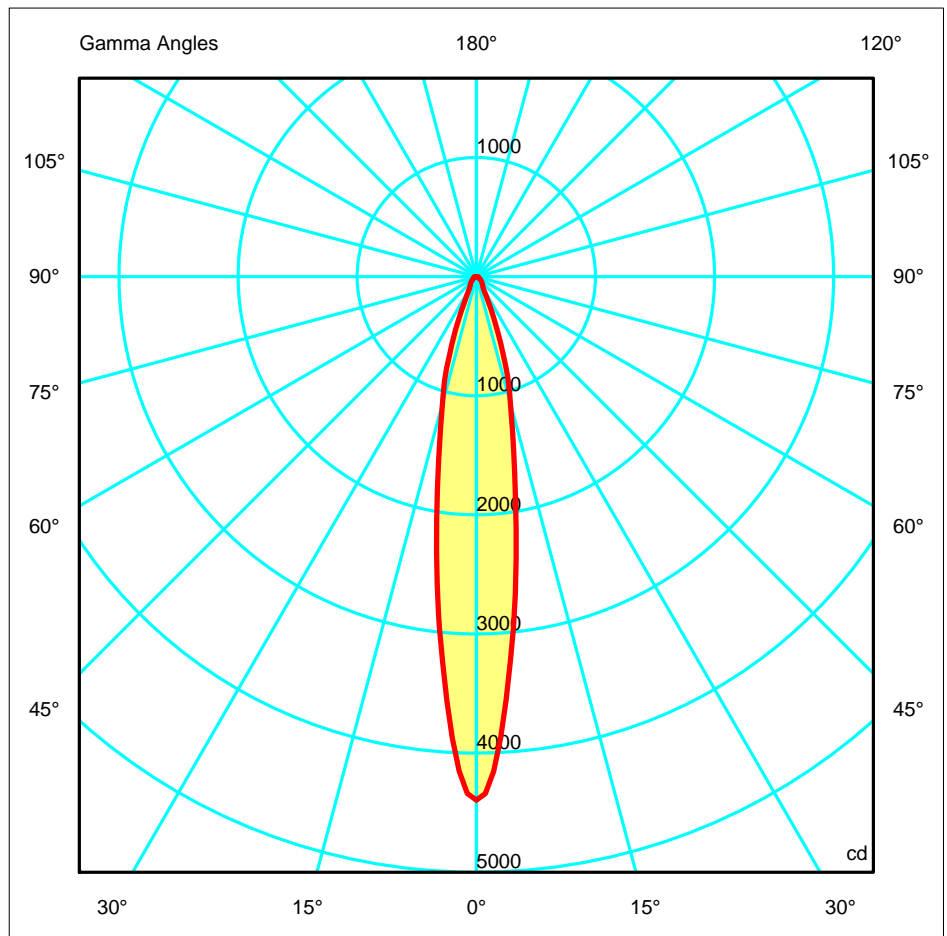
Diam=90mm

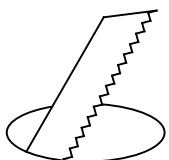
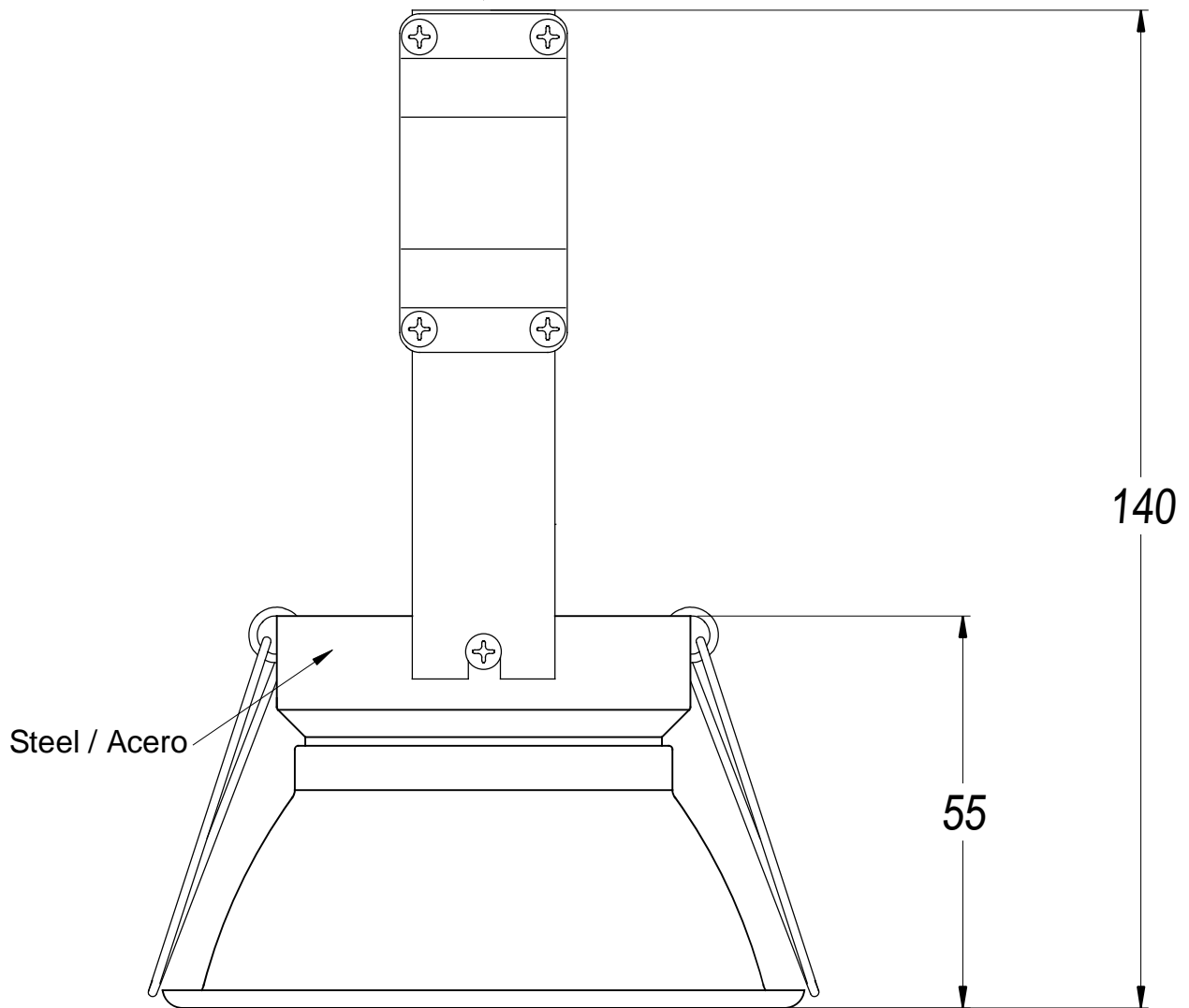
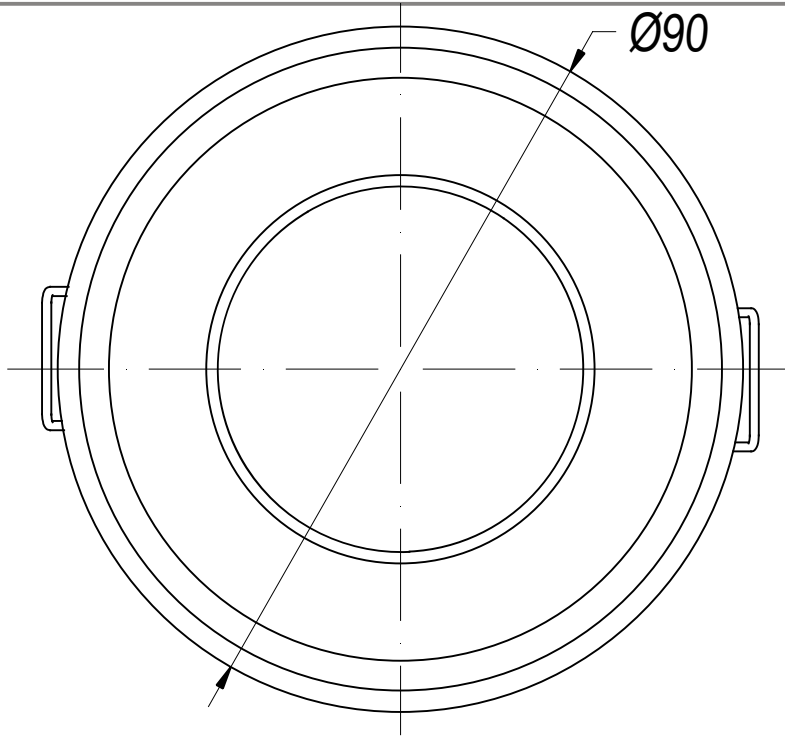


C Halfplanes

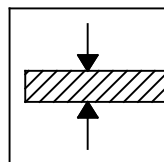
180.0 ——— 0.0

ULOR 0.00 %
DLOR 100.00 %
RN 0.00 %





$\text{Ø}82$



0-25mm

1

OFF

- DN-1600V1 / Ø82mm
- DN-1601V1 / Ø112mm

*

GU 10

2

GU 10

3

min. 160mm (DN-1601)
min. 140mm (DN-1600)
min. 50mm. min. 50mm.
230V/240V

- **Transparent decorative clip:**
(Only Led bulb compatible).

- **Metallic clip:**
(Halogen and Led bulb compatible).

2

GU 5.3

3

Electronic Transformer
Transformador electrónico

230 / 240V
50.....60Hz

min. 120mm (DN-1601)
min. 100mm (DN-1600)
min. 50mm. min. 200mm. min. 50mm.
12V 230V/240V

4

5

ON