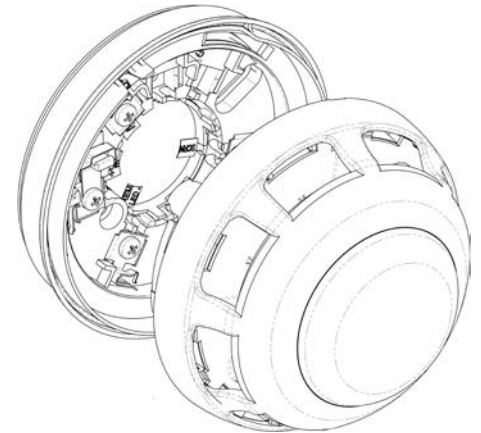


**204-0003 Twinflex Multipoint ASD Detector,
204-0001 Twinflex Multipoint ASD with Sounder,
204-0012 Twinflex Multipoint ASD with Sounder / Strobe**

General Description

The Twinflex Multipoint ASD is a plug-in type smoke detector that utilises a photo-electric sensing chamber to make a measurement corresponding to smoke density. The device also incorporates a thermistor sensing circuit to allow for accurate heat measurement. These elements allow the device to be configured to a smoke, heat or combined setting. This device is only compatible with the Twinflex control panels (and their associated detection and alarm equipment) and may also incorporate a sounder beacon (ignore all references to sounders/beacons if your device has no sounder/beacon).



Before Installation

The detector must be installed in compliance with the control panel installation manual. The installation must also meet the requirements of any local authority. For maximum performance the detector should be installed in compliance with BS5839-1:2013.

Spacing

Fike recommends spacing detectors in accordance with BS5839-1:2013. Due to the effects of IR and possible magnetic interference, detectors should not be fitted any closer than 500mm (preferably 1000mm) to a light fitting or any other source of IR or EMI. In addition to this recommendation the device should be mounted so that the indication LED is facing towards the light fitting. For more specific information regarding detector spacing, placement and special applications please refer to BS5839-1:2013.

Note: As with other optical detectors, this device should not be located where subjected to high levels or pulses of light or infra red light, as this may cause false alarms or faults.

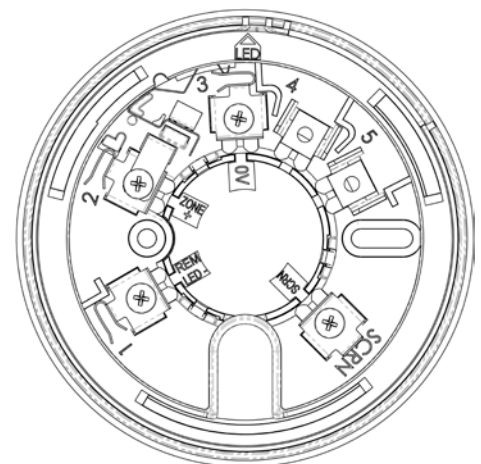
Detector Installation

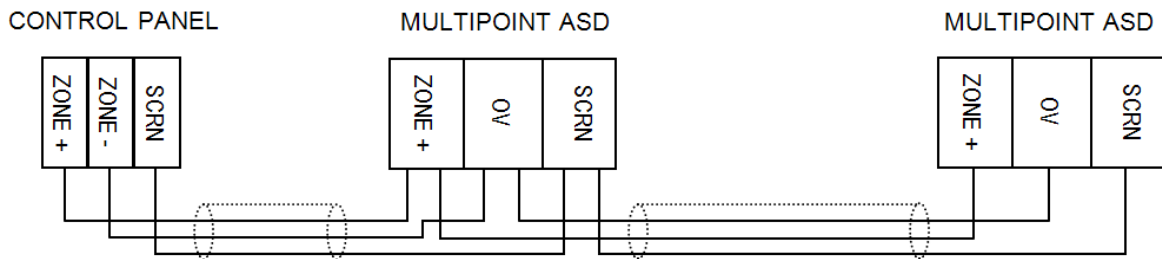
All wiring must be installed in compliance with the recommendations laid out by BS5839-1:2013 as well as any special recommendations documented in the control panel installation manual. The cabling used should be of a 2-core 1.5mm² screened, fire resistant type (e.g. MICC or FP200 equivalent), and is to be wired in the form of a screened 2-core radial circuit (with no spurs) from the control panel, terminating at the last (“End of Line”) device.

Fix the detector base in a suitable horizontal position using the two screw slots provided, remembering to allow enough cable length for termination. You may then terminate your cables directly into the terminal block according to the terminal labels. It is important to maintain the screen continuity in order to protect against data corruption from interference.

Connections

Terminal	Description
1	REM LED – Remote LED 0V (-VE)
2	ZONE + Zone In/Out +VE and Remote LED +VE
3	0V Zone In/Out 0V
4	Not Fitted N/A
5	Not Fitted N/A
SCRN	SCRN Screen





Twinflex Multipoint ASD Detectors can be mixed on the same zone as other types of Twinflex device (e.g. Twinflex Call-points and earlier detectors). If mixed with earlier detectors, the zone must be set to 'CP/DET' and not 'CP/SM/HT'. The above diagram shows how to make the zone positive, zone negative and screen connections between the control panel and Twinflex Multipoint ASD Detectors. Refer to the instruction leaflets supplied with other Twinflex devices for their equivalent wiring/terminal labelling details.

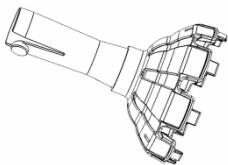
Please note that the SCRNM terminal on the detector bases should only be connected to the zone cable screen and NOT to the building earth. The cable screen is connected to earth at the panel end only, via the zone "SCRNM" terminal (or EARTH terminal on the Twinflex V3 2/4/8 Zone panels). It is important to maintain the screen continuity in order to protect against data corruption from interference.

Please remember that all high voltage testing must be carried out before the installation of the base or electronics, as this will cause damage (small electronics module is also present in base). Once all testing has been carried out on the cabling and 'continuity & integrity' has been proven, the detection head may be fitted. Before fitting the detector head program the device settings via the on-board DIL switches, remembering to set the EOL for the last device.

Remember that the device at the end of the line must have its EOL signal activated using the relevant DIL switch. Do not use a resistor or capacitor (or another manufacturer's End of Line device) as the end of line, as this may prevent correct operation of the zone.

To install the detection head, locate the pins and gently twist until the unit locks in place.

Tamper Resistance and Head Removal



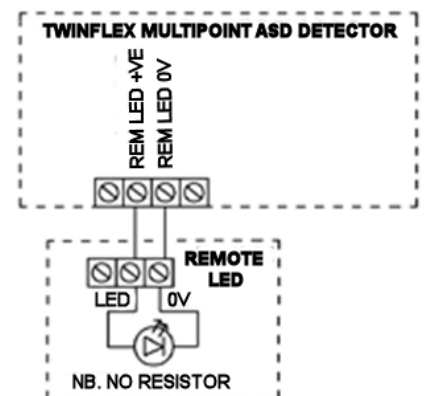
The ASD detector incorporates a tamper resistant locking mechanism that prevents its removal from the base without the use of a special tool. To remove the device, the tool should be attached over the detector and turned anti-clockwise allowing the detector to be removed from the base.

Remote Indicator

The remote LED terminals ('Remote LED + / -') may be used to connect a separate LED (Pt No. 600-0092). The LED functions are as follows:

- 5ms every 5 seconds: End of Line
- 5ms every 1.3 seconds: Fault
- 350ms every 0.7 seconds: Fire detected by detector
- Continuous: Fire detected by detector and processed at panel
- 100uS pulse every 20seconds in standby (2 pulses if set to heat)

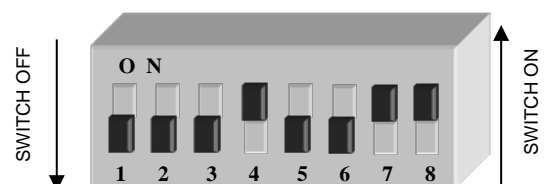
Note that the LED does not require a resistor.



DIL Switch Settings

The detector DIL switches may be used to program the operation of the Multipoint ASD Detector. They may be altered when the device is removed from the base. If a heat detection mode is selected then use the 'HEAT' labels supplied to label the base of the detector clearly.

The last device on the circuit must have the EOL signal enabled (switch number 1 in the 'ON' position).



		DIL SWITCH SETTINGS							
		1	2	3	4	5	6	7	8
EOL Signal	Disabled (no end of line signal)	OFF							
	Enabled	ON							
Detection Mode	Disabled (no detection)			OFF	OFF	OFF			
	Smoke 1 – Standard optical with high thermal enhancement			ON	OFF	OFF			
	Smoke 2 – Standard optical with normal thermal enhancement			OFF	ON	OFF			
	Smoke 3** – Low sensitivity optical with transient rejection			ON	ON	OFF			
	Heat 1 – Rate of Rise 58°C, general use in normal, stable environments (Class A1)			ON	OFF	ON			
	Heat 2 – Low fixed 58°C, Domestic kitchens etc (Class A1)			OFF	ON	ON			
	Heat 3 – Hi Fixed 90°C, Commercial kitchens, boiler rooms (Class C)			ON	ON	ON			
	Smoke 2 / Heat 2 Combined			OFF	OFF	ON			
Logical Link *	Logical link disabled		OFF						
	Logical link enabled		ON						
Sound Pattern	Disabled (no sound)						OFF	OFF	
	Sound 1 (Continuous tone at 970 Hz)						ON	OFF	
	Sound 2 (Alternating tone at 800/970 Hz)						OFF	ON	
	Sound 3 (Sweep up tone at 800 to 970 Hz)						ON	ON	
Sounder vol	Low								OFF
	High								ON

* For use with Twinflex Pro & Twinflex V3 Checkpoint Plus Control panels only. The setting will be ignored on older systems without Checkpoint Plus. With Logical Link enabled the sounder in that device only will operate during the Alarm Confirmation period, and with the Logical Link disabled all the sounders in the same zone as the device in alarm will operate during the Alarm Confirmation period.

** Not Approved to EN54-7.

Power Up

The Multipoint detector requires approximately one minute on power up to boot up its processor and settle down to normal operation. Do not test the detector during this time. Ensure that the Detector Head is installed when the system is powered up otherwise a fault condition will be present.

Head Contamination Warnings

If a smoke detector becomes dusty, its operation is affected, either making it more prone to false alarms, or in rare cases reducing its sensitivity. The Multipoint LED will flash once approximately every 1.3 seconds. At the control panel (V3 panel), the common 'Fault' LED will flash, the buzzer will sound and the relevant 'Zone Fault' LED will flash at approximately twice the rate of the buzzer. On the Twinflex Pro panel, the common 'Fault' LED will be on, the buzzer will sound and the system indication 'zone LED will flash at approximately twice the rate of the buzzer. The display will indicate FAULT 00x OF 00x & Z0x: Zone description and fault type.

Replacing Contaminated Optical Chambers

The optical chamber within the detector is not user serviceable. When an optical chamber becomes contaminated we recommend replacing the detector. Cleaning an old chamber is not possible with this device as it is a sealed unit. It is essential that the location of the contaminated device is verified using the device LED which will flash once approximately every 1.3 seconds.

Beacon Operation (Not EN54-23 Compliant)

The Multipoint ASD may also incorporate a sounder or beacon (ignore all references to sounders / beacons if your device has no sounder / beacon). If the unit includes a Beacon this consists of a number of high output LEDs mounted beneath a diffusing lens at the lowest part of the detector.

The beacon will start to operate when the device receives a command to activate its sounder, even if the sound pattern is set to **SP0 - Sounder off**. Thus, it is possible for the beacon to provide a discrete warning by setting the sound pattern to SP0.

Testing

We recommend the use of suitable smoke test equipment such as the 'No Climb' SOLO 300 tester or an equivalent product. Due to the fact that the smoke detection modes are all 'thermally enhanced', it may be noticeable that on

test the devices respond more slowly than may be expected. This is perfectly normal and is due to the fact that during test there is no additional heat present to cause the sensitivity to be enhanced.

Smoke mode 3 requires that the concentration of smoke is kept up for a longer period to trigger the device into alarm, so patience is required. Small regular applications of test smoke are best in order to avoid drenching the detector as this may result in sticky residues being left behind.

Technical Data

Dimensions	107mm diameter x 75mm
Operating temperature	-10°C to +50°C
Operating Voltage Range	18V to 32V DC
Operating Current	Quiescent	109 uA (Typical)
	End of line ON if applicable	+50 uA (Typical)
(no strobe version)	Alarm Sounding – Sounder High	8.03 mA (Typical)
	Alarm Sounding – Sounder Low	2.46 mA (Typical)
	Alarm Sounding – Sounder Off	143 uA (Typical)
	Alarm Activated	15.54 mA (Typical)
	<i>(in addition to Alarm Sounding)</i>	
(strobe version)	Alarm Sounding – Sounder High	10.54 mA (Typical)
	Alarm Sounding – Sounder Low	4.92 mA (Typical)
	Alarm Sounding – Sounder Off	2.58 mA (Typical)
	Alarm Activated	17.92 mA (Typical)
	<i>(in addition to Alarm Sounding)</i>	
LED Operation	Detector in Normal State (Smoke)	Flash at 20 second intervals
	Detector in Normal State (Heat)	Double flash at 20 second intervals
	Detector at EOL	Flash at 5 second intervals
	Detector in Fault	Flash at 1.3 second intervals
	Detector Detecting Fire	Flash at 0.7 second intervals
	Detector in Fire (once processed at panel)	Continuous
Loading Units		V3 Panel: Pro Panel:
	Max Loading Units per zone	27 SLU..... 160 DLU
(no strobe version)	Sounder High	1.5 SLU..... 8.0 DLU
	Sounder Low	0.5 SLU..... 2.5 DLU
	No Sounder	0.5 SLU..... 0.5 DLU
(strobe version)	Sounder High	2.0 SLU..... 10.5 DLU
	Sounder Low	1.0 SLU..... 5.0 DLU
	No Sounder	0.5 SLU..... 3.0 DLU
Volume Level	Sounder High	90+ dB(A) (For more information on sound output
(@ 1m anechoic, Dual Tone)	Sounder Low	70+ dB(A) contact your supplier Ref 26-0747)
Flammability	UL94-V2
IP Rating	IP 21C
Part Codes	No Sounder	204 0003
	With Sounder	204 0001
	With Sounder and Strobe	204 0012

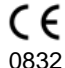
<u>Product</u>	<u>CPR Number</u>
204-0003	0832-CPR-F0123
204-0001	0832-CPR-F0124
204-0012	0832-CPR-F0125

Technical Support

Contact your supplier for technical support on this product.

Due to the complexity and inherent importance of a life risk type system, training on this equipment is essential, and commissioning should only be carried out by competent persons. Fike cannot guarantee the operation of any equipment unless all documented instructions are complied with, without variation. This unit complies with the EMC directive.

Fike's policy is one of continual improvement and the right to change a specification at any time without notice is reserved. Whilst every care has been taken to ensure that the contents of this document are correct at time of publication, Fike shall be under no liability whatsoever in respect of such contents. E&OE.

 0832	
Fike Safety Technology Ltd Unit 31, Springvale Ind. Est. Torfaen, NP44 5BD 14 DoP-204-0001, DoP-204-0003, DoP-204-0012	
EN54-3: 2001 +A1: 2002 +A2: 2006, EN54-5 : 2000 +A1: 2002, EN54-7: 2000 +A1: 2002 +A2: 2006, Sounder Technical Data: See 26-0747	
204-0001, 204-0003, 204-0012 Intended for use in the fire detection and fire alarm Systems in and around buildings	
Essential characteristics	Performance
Nominal activation conditions / Sensitivity, Response delay (response time) and Performance under fire conditions	Pass
Operational reliability	Pass
Tolerance to supply voltage	Pass
Durability of operational reliability and response delay, Temperature resistance	Pass
Durability of operational reliability, Vibration resistance	Pass
Durability of operational reliability, Humidity resistance	Pass
Durability of operational reliability, Corrosion resistance	Pass
Durability of operational reliability, Electrical stability	Pass
Durability of operational reliability, Resistance to ingress	Pass