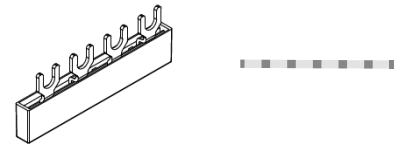


VME02SPD Surge Protection Kit

Type 2 Surge Protection Kit for Hager Consumer Units to aid compliance with 18th Edition BS 7671.

- Combination of high capacity voltage limiting varistors and N-PE spark gap
- Suitable for CT2 connection as per 534.4.3.2 BS7671 18th Edition
- Optical status indication for each cartridge
Clear = Healthy, Red = Replace
- Pluggable surge protection modules for ease of replacement
- Each cartridge incorporates its own thermal disconnect mechanism
- Cartridges are mechanically coded to prevent mis-connection
- Cartridges can be routinely checked and changed if required without interrupting supply to loads
- No secondary back-up protection required.



VME02SPD

Product Description

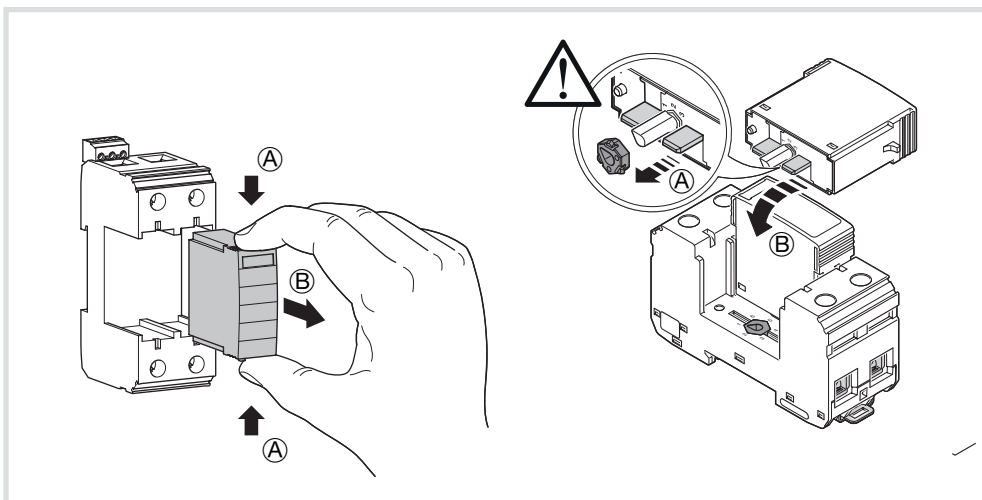
A Surge protection kit specifically developed for Hager Consumer units. Developed to ensure optimal performance of SPD technology within the residential single phase consumer units. SPD is CT2 type to ensure compatibility with all common UK Earthing arrangements e.g. TN-C-S (PME), TN-S and TT earthing arrangements. This is an IEC Type 2 / class II SPD for single phase power supply networks.

This SPD kit fits within the standard consumer unit. Line and Neutral connections are via a 2 pole copper busbar from the SPD to the supply side of the main incoming device terminated within the top of the devices bi-connect, the earth cable will be terminated within the main earth bar within the consumer unit, and terminated in either the left hand or right hand earth terminal at the top of the SPD ensuring a connections are tighten to 3.6Nm

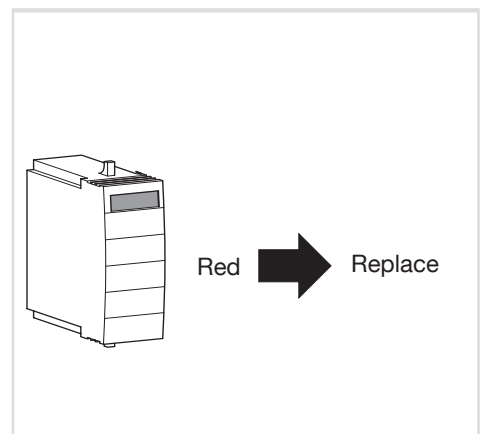
Key Specifications

- Power Supply System -TN / TT
- Requirement class -SPD class II acc. to IEC 61643-11; SPD Type 2 acc. to EN 61643-11
- Max. continuous operating voltage U_c -L-N: 275 V a.c. / N-PE: 260 V a.c.
- Nominal voltage U_n -230/400 V AC 50/60 Hz
- Nominal discharge current I_n (8/20) microseconds 20 kA
- Max. discharge current I_{max} (8/20) microseconds 40 kA

SPB015, SPB015N



Fault indication



General Data

Standards/regulations	IEC 61643-11 2011 EN 61643-11 2012
IEC test classification	T2
EN type	T2
Mode of protection	L-N L-PE N-PE
Mounting type	DIN rail: 35 mm
Degree of pollution	2
Overvoltage category	III
Degree of protection	IP20
Ambient temperature (operation)	-40 °C ... 80 °C
Ambient temperature (storage/transport) Permissible humidity (operation)	-40 °C ... 80 °C

Electrical Data

Nominal voltage U_n	230 / 400 V AC (TN / TT)
Nominal frequency f_n	50 Hz (60 Hz)
Maximum continuous operating voltage U_c (L-N)	275 V AC
Maximum continuous operating voltage U_c (N-PE)	260 V AC
Residual current I_{PE}	$\leq 5 \mu A$
Standby power consumption P_c	$\leq 360 \text{ mVA}$
Nominal discharge current I_n (8/20) μs	20 kA
Maximum discharge current I_{max} (8/20) μs	40 kA
Follow current interrupt rating I_{fl} (N-PE)	100A
Short-circuit current rating I_{scR}	50kA
Voltage protection level U_p (L-N)	$\leq 1.5 \text{ kV}$
Voltage protection level U_p (L-PE)	$\leq 1.5 \text{ kV}$
Max. backup fuse	125 A (gG)